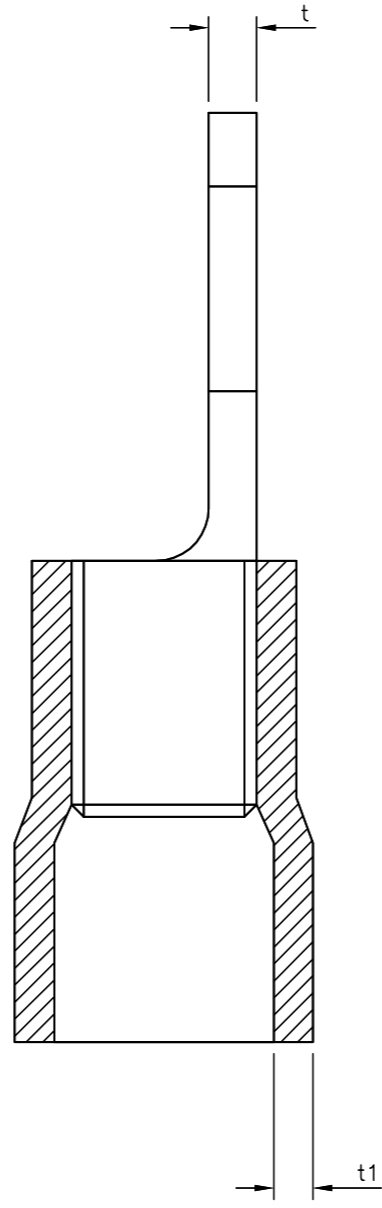
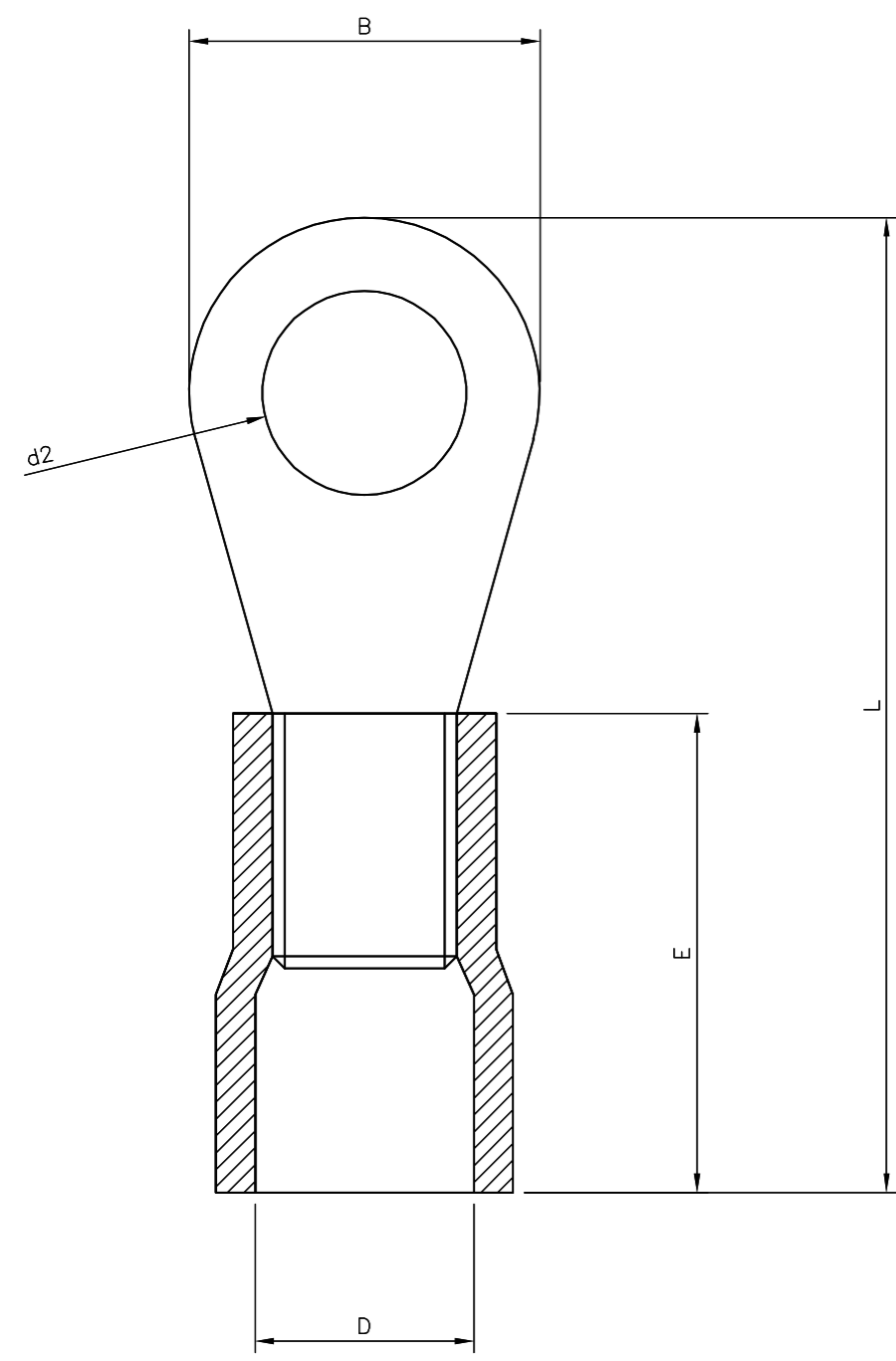


THIS DRAWING IS UNPUBLISHED. RELEASED FOR PUBLICATION 19JUL ,2005.
 © COPYRIGHT 2005 BY TYCO ELECTRONICS CORPORATION. ALL RIGHTS RESERVED.

Loc		DIST		REVISIONS			
P	LTR	DESCRIPTION		DATE	DWN	APVD	
	A	FIRST ISSUE		19JUL05	KR	FWK	



- NOTES:
- FOR TECHNICAL DATA REFER TO YOUR LOCAL TYCO ELECTRONICS SALES OFFICE.
 - ALL DIMENSIONS ARE NOMINAL FOR REFERENCE ONLY UNLESS OTHERWISE STATED.
 - FOR PACKAGING DETAILS SEE SHEET 2.
 - UL NUMBER E13288
 - MATERIAL: BODY - COPPER
SLEEVE - PVC (K65), 94V-0
 - APPLICATION SPEC 114-13196

2-1838152-0	1.5mmsq-2.5mmsq 16-14 (AWG)	4mm STUD SIZE STANDARD ENTRY	BLUE RING TERMINAL (INSULATED)	3000	1000	4.30	6.60	20.80	4.70	11.00	0.80	0.80	1.5mmsq-2.5mmsq 16-14(AWG)	4.0	BLUE RING TERMINAL (INSULATED)	2-1838152-0
1-1838152-0				3500	100											1-1838152-0
STOCK NUMBER	PACKING LABEL DESCRIPTION LINE 3	PACKING LABEL DESCRIPTION LINE 2	PACKING LABEL DESCRIPTION LINE 1	INNER CARTON QTY	QTY	d2 (±0.20)	B (±0.30)	L (±1.50)	D (±0.50)	E (±1.50)	t (±0.10)	t1 (±0.20)	WIRE SIZE (mmsq) & (AWG)	STUD SIZE (mm)	DESCRIPTION	PART No
DIMENSIONS																

THIS DRAWING IS A CONTROLLED DOCUMENT.

DWN	19JUL05	K.Raghunandan
CHK	04/04/07	S. Parlow
APVD	04/04/07	F. Wheeler-King
PRODUCT SPEC		
APPLICATION SPEC		
WEIGHT	-	
CUSTOMER DRAWING		

tyco Electronics Tyco Electronics Corporation
Bideford, UK, EX39 4HE

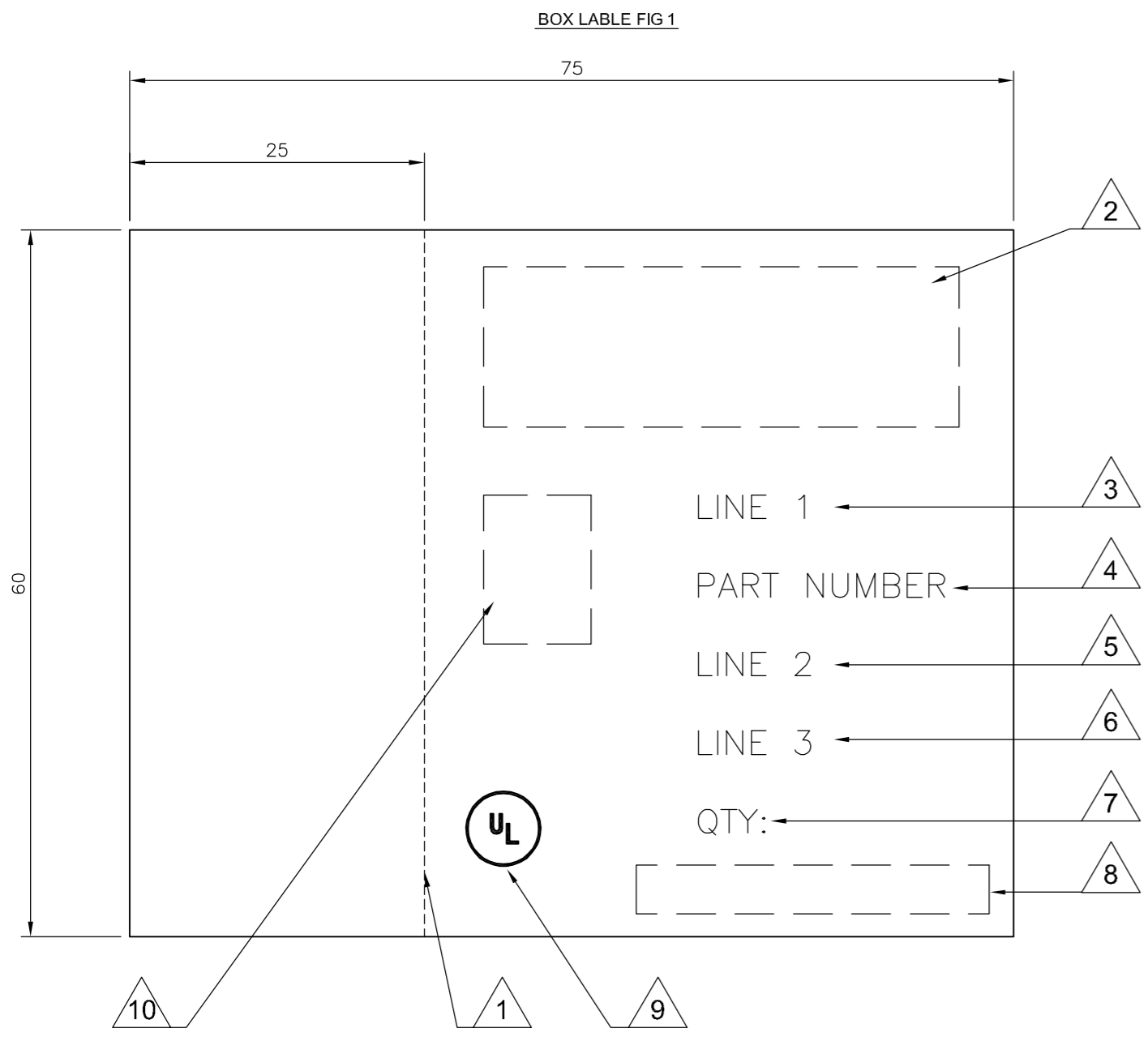
NAME: EURO-CRIMP INSULATED BLUE RING TERMINAL
1.5mmsq-2.5mmsq / 16-14 AWG RANGE

SIZE	CAGE CODE	DRAWING NO	RESTRICTED TO
A2	00779	C=1838152	-
SCALE	NTS	SHEET	1 OF 2
REV	A		

1838152

THIS DRAWING IS UNPUBLISHED. RELEASED FOR PUBLICATION 19JUL ,2005.
 © COPYRIGHT 2005 BY TYCO ELECTRONICS CORPORATION. ALL RIGHTS RESERVED.

LOC		DIST		REVISIONS			
P	LTR	DESCRIPTION	DATE	DWN	APVD		
-	-	SEE SHEET 1	-	-	-		



- LABEL NOTES:**
- 1. PERFORATED LINE: DOTTED LINE TO BE ALIGNED WITH OPENING EDGE & FOLDED TO LEFT SIDE OF BOX.
 - 2. LOGO: USE LATEST REVISION OF TYCO COMPANY LOGO.
 - 3. LINE1: SEE SHEET 1, USE TEXT FROM COLUMN PACKAGING LABEL DESCRIPTION LINE 1.
 - 4. PART NUMBER: FOR 1--0 & 2--0 USE TYCO PART NUMBER.
1--0 = 1-1838152-0
2--0 = 2-1838152-0
 - 5. LINE 2: SEE SHEET 1, USE TEXT FROM COLUMN PACKAGING LABEL DESCRIPTION LINE 2.
 - 6. LINE 3: SEE SHEET 1, USE TEXT FROM COLUMN PACKAGING LABEL DESCRIPTION LINE 3.
 - 7. QTY: SEE SHEET 1, USE NUMBER FROM THE COLUMN QTY.
 - 8. EAN BARCODE: USE LATEST TYCO BARCODE SUPPLIED.
1--0 = TYCO BARCODE
2--0 = TYCO BARCODE
 - 9. UL: WHERE APPLICABLE USE UL LOGO, SEE SHEET 1.
 - 10. PRODUCT PICTURE: A PRODUCT PICTURE IS REQUIRED.

- BOX NOTES:**
- 1. EURO SLOT: TO BE POSITIONED TO CENTRE ON FRONT COVER.
 - 2. BOX HINGE: FRONT COVER TO BE HINGED ON RIGHT SIDE.
 - 3. SPECIFICATION: COVER TO BE FREE FROM POSSIBLE WARPING & CAPABLE OF BEING RE-SEALED MIN 100 TIMES.
 - 4. LABEL: CORRECT CUSTOMER BOX LABEL TO BE POSITIONED ON THE FRONT COVER WITH THE PERFORATED EDGE ON THE LEFT HAND SIDE.

- PACK SPECIFICATION:**
- 1. CLEAR PLASTIC BOX: PART NUMBER 1--0 TO BE PACKED 100 PARTS PER CLEAR PLASTIC BOX (FIG2) WITH THE CORRECT CUSTOMER LABEL (FIG1), 35 CLEAR PLASTIC BOXES OF THE SAME PART NUMBER ARE TO BE PACKED INTO A SUITABLE INNER CARTON BOX.
 - 2. CLEAR PLASTIC BAG: PART NUMBER 2--0, USE A SUITABLE CLEAR PLASTIC BAG FOR A 1000 PARTS, POSITION AN APPROPRIATE LABEL AS IN FIG1 BUT WITHOUT THE PERFORATED SIDE, CENTRE OF BAG. 3 BAGS ARE THEN TO BE PACKED INTO A SUITABLE INNER CARTON BOX.
 - 3. INNER CARTON LABEL: LABEL AS PER CLEAR PLASTIC BAG NOTE 2 BUT WITH INNER CARTON QTY 3000 TO BE POSITIONED ON THE SIDE OF THE BOX FOR VIEWING WHEN STORED.

THIS DRAWING IS A CONTROLLED DOCUMENT.		DWN K.Raghuandan 19JUL05	Tyco Electronics Corporation Bideford, UK, EX39 4HE													
DIMENSIONS: mm		CHK S. Parlow 04/04/07														
TOLERANCES UNLESS OTHERWISE SPECIFIED:		APVD F. Wheeler-King 04/04/07	NAME EURO-CRIMP INSULATED BLUE RING TERMINAL 1.5mmsq-2.5mmsq / 16-14 AWG RANGE													
<table border="1"> <tr><td>0 PLC</td><td>± 0.5</td></tr> <tr><td>1 PLC</td><td>± 0.2</td></tr> <tr><td>2 PLC</td><td>± 0.1</td></tr> <tr><td>3 PLC</td><td>± 0.015</td></tr> <tr><td>4 PLC</td><td>± -</td></tr> <tr><td>ANGLES</td><td>± -</td></tr> </table>		0 PLC	± 0.5	1 PLC	± 0.2	2 PLC	± 0.1	3 PLC	± 0.015	4 PLC	± -	ANGLES	± -	PRODUCT SPEC -	SIZE A2	CAGE CODE 00779
0 PLC	± 0.5															
1 PLC	± 0.2															
2 PLC	± 0.1															
3 PLC	± 0.015															
4 PLC	± -															
ANGLES	± -															
MATERIAL -		FINISH -	WEIGHT -	DRAWING NO C=1838152												
CUSTOMER DRAWING			SCALE NTS	SHEET 2 OF 2												
			RESTRICTED TO -	REV A												

1838152