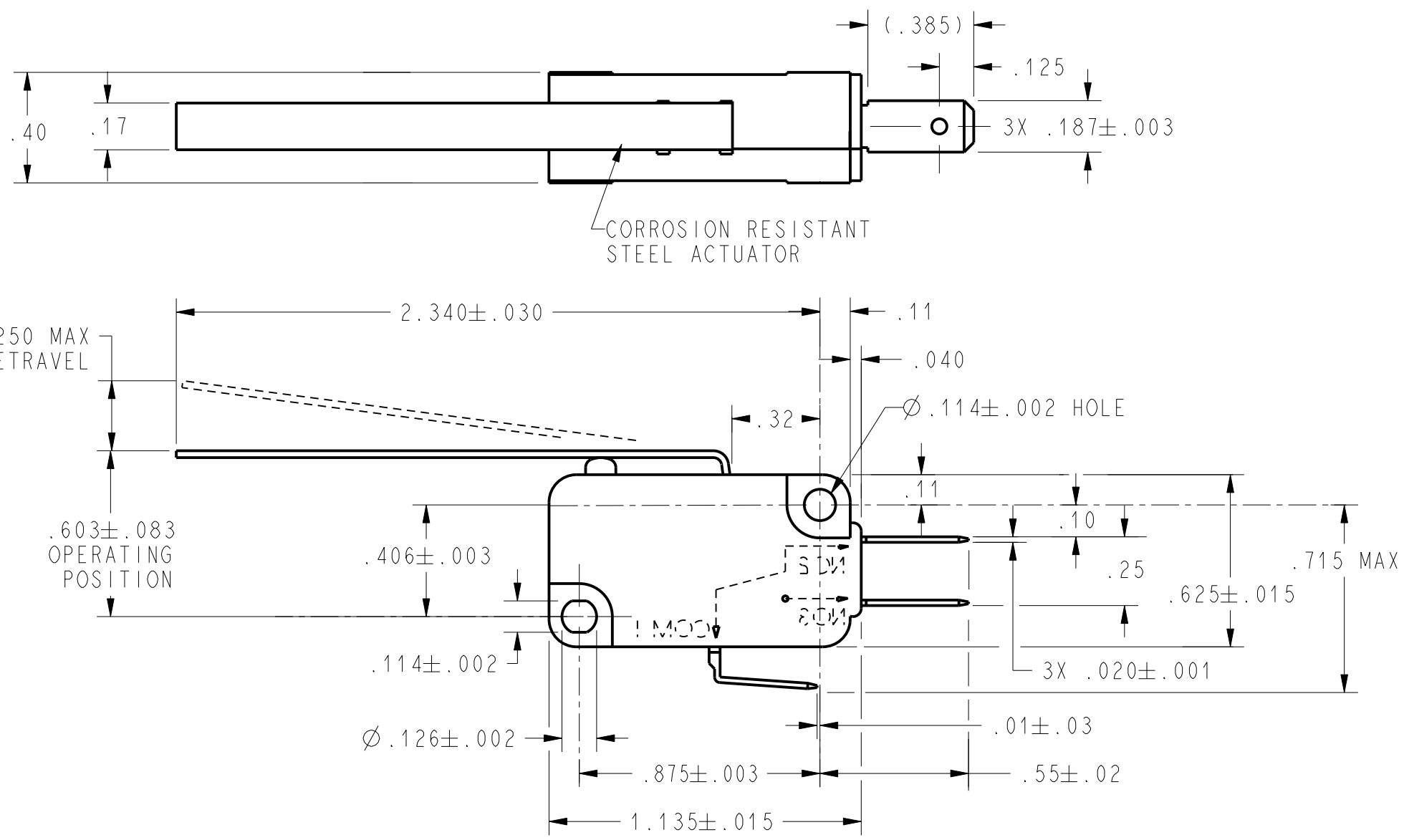


CW-C6116

REV	DOCUMENT	CHANGED BY	CHECK
2	0003569	KED 16FEB04	MDM



CHARACTERISTICS	
OPERATING FORCE-----	60 GRAMS MAX
RELEASE FORCE-----	9 GRAMS MIN
DIFFERENTIAL TRAVEL-----	.054 MAX
OVERTRAVEL-----	.124 MIN
RELEASE TRAVEL-----	.030 MIN

ELECTRICAL DATA	
CONTACT ARRANGEMENT S P D T	
L156	11A 1/3HP 125, 250 OR 277 VAC 1/2A 125 VDC, 1/4A 250 VDC 4A 125 VAC "L"

UNLESS OTHERWISE SPECIFIED TOLERANCES ARE:			
	<input checked="" type="checkbox"/> US (inch) CUSTOMARY	<input type="checkbox"/> SI (mm) METRIC	
NO PLACE	X	±.040	±1
ONE PLACE	.X	±.030	±0,4
TWO PLACE	.XX	±.015	±0,15
THREE PLACE	.XXX	±.005	±
ANGLES		± 3°	±
RAW MATERIAL-COMMERCIAL STANDARD			
THIRD ANGLE PROJECTION			

DRAWN	TSM	3DEC02
CHECK	SAV	3DEC02
THIS DRAWING COVERS A PROPRIETARY ITEM AND IS THE PROPERTY OF HONEYWELL. THIS DRAWING IS NOT TO BE COPIED OR USED WITHOUT THE PERMISSION OF HONEYWELL.		
DIMENSIONS ARE TO BE MET BEFORE PROTECTIVE COATINGS ARE APPLIED		
PTC 2D	ASME Y14.5M-1994	

<b>Honeywell</b>			
TITLE <b>SWITCH, BASIC</b>			
SIZE	DWG TYPE	DRAWING NAME	REV
<b>B</b>	<b>I</b>	<b>V7-7B17D8-048</b>	<b>2</b>
SCALE	2:1	WEIGHT	SHEET 1 OF 1