

DO NOT SCALE PRINT
A3 FORMAT
CSNX25-001
CMR-25
CATALOGUE LISTING
F.W. BELL PART NUMBER
1
ISSUE
12/03
DRAWN I. WEIR
CHECK
DESIGN
AUTHOR 'N

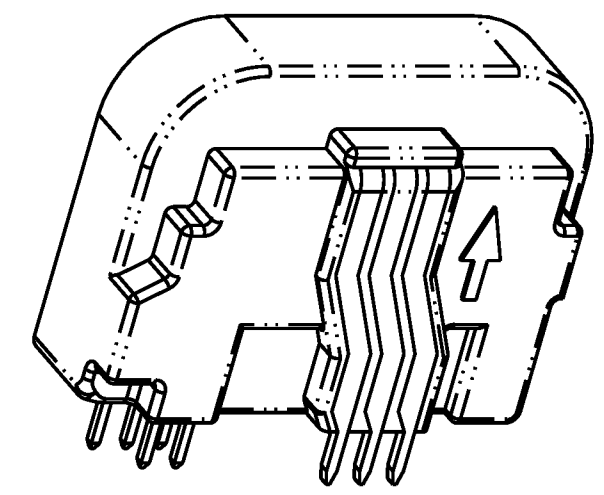
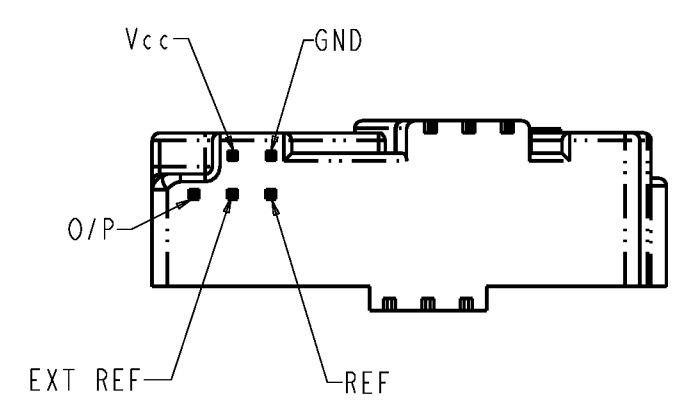
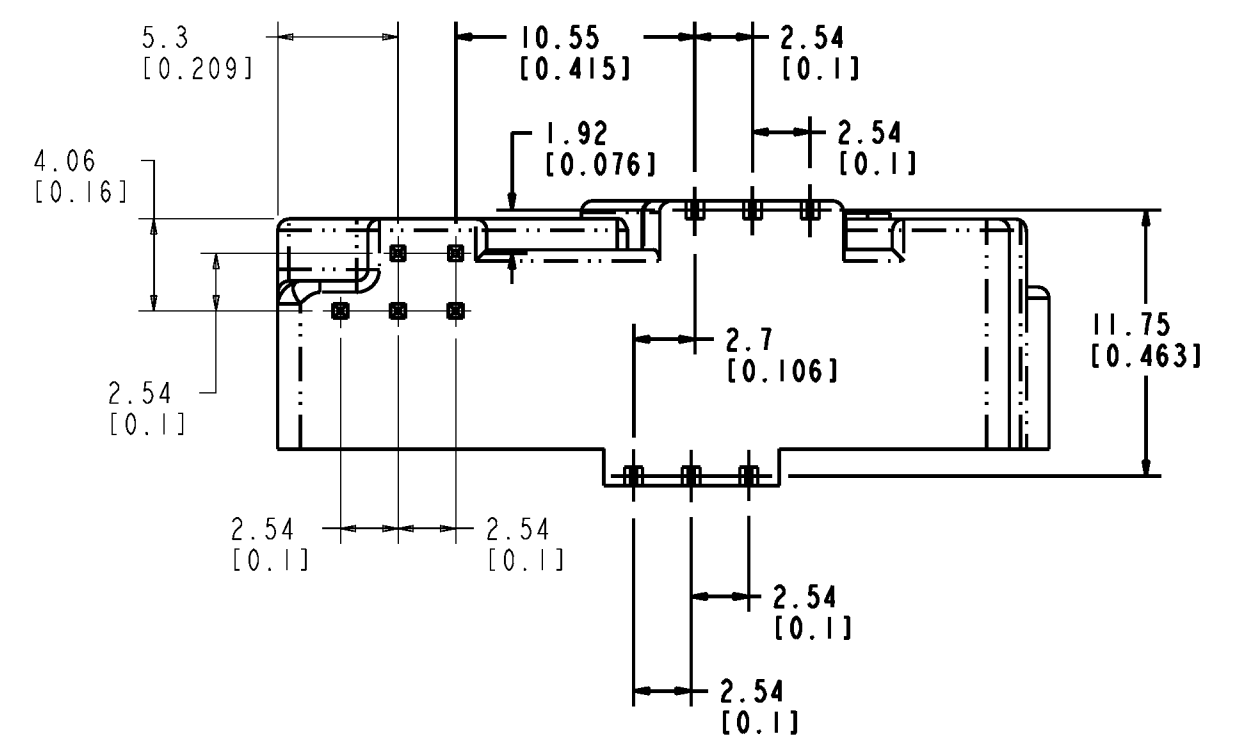
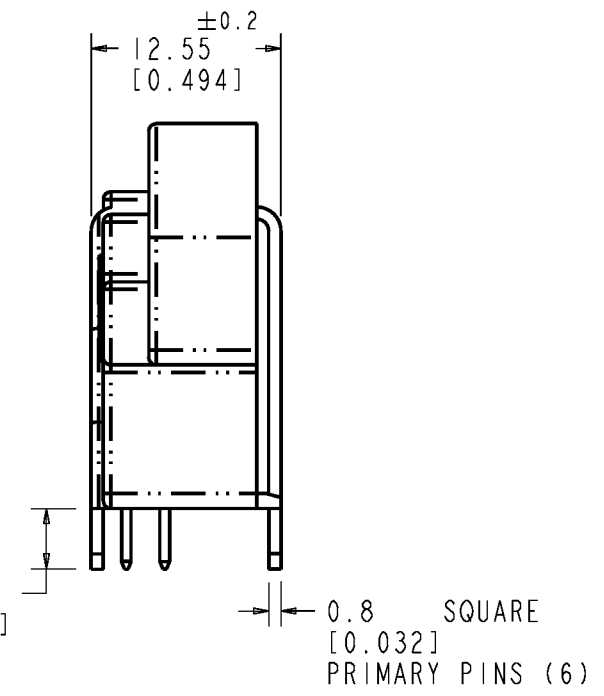
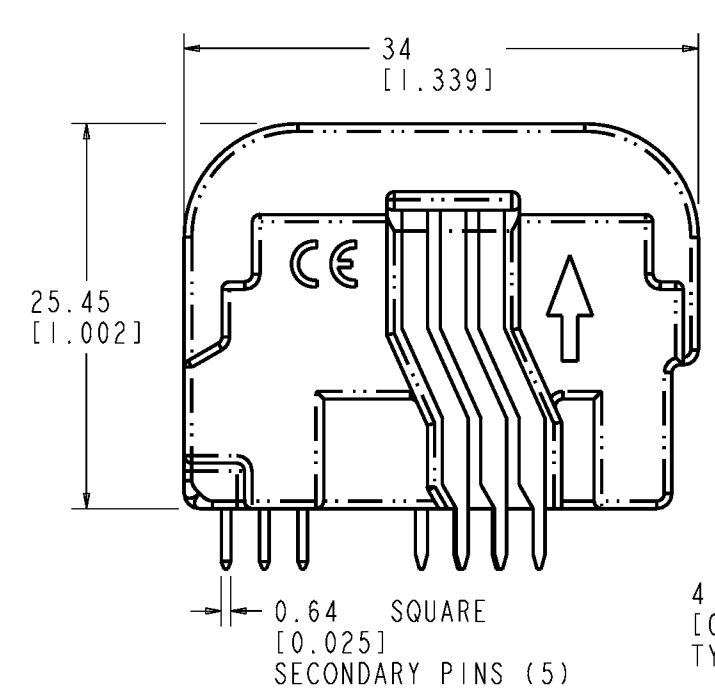
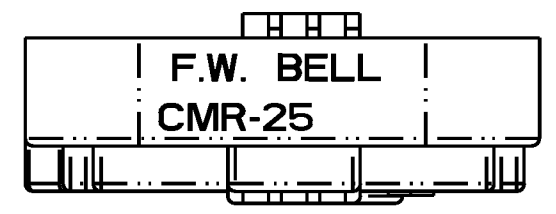
Honeywell

NULL BALANCE CURRENT SENSOR

CATALOGUE LISTING **CSNX25-001**
F.W. BELL PART NUMBER **CMR-25**

APPROVALS
CE **RU**®
C US

SUPPLY VOLTAGE	NOM.	SENSING RANGE		OUTPUT NOMINAL	MAXIMUM COIL RESISTANCE AT 70°C	No. OF TURNS
		MAX (RMS)	MAX (AC PEAK)			
+5V ±5%	25A	40A	56A	12.5mA	50Ω	2000



NOTES:-

- FOR INTERNAL 2.5V REFERENCE MODE 'EXT REF' PIN MUST BE CONNECTED TO GND.
- FOR EXTERNAL 2.5V REFERENCE VOLTAGE MODE - APPLY VOLTAGE IN THE RANGE +1.0V TO +3.0V TO THE 'EXT REF' PIN.
- HOUSING MATERIAL:- GLASS FILLED POLYAMIDE. FULLY ENCAPSULATED CONSTRUCTION.

THE COPYRIGHT OF THIS DRAWING IS THE PROPERTY OF HONEYWELL LTD. THE DRAWING IS SUPPLIED IN CONFIDENCE AND MUST NOT BE USED FOR ANY PURPOSE OTHER THAN THAT FOR WHICH IT IS SUPPLIED.

THIRD ANGLE PROJECTION

MODIFY ON PROE SYSTEM ONLY

DIMENSIONS ARE IN MILLIMETRES (INCHES)

SCALE :- 2/1

TOLERANCES UNLESS OTHERWISE STATED

±0.2