

THIS DRAWING IS UNPUBLISHED.
VERTRÄULICHE UNVERÖFFENTLICHTE ZEICHNUNG

RELEASED FOR PUBLICATION
FREI FUER VERÖFFENTLICHUNG
2000.
ALL RIGHTS RESERVED.
ALLE RECHTE VORBEHALTEN

MATED WITH:
PASSEND ZU:

LOC
AI

DIST

REVISIONS
ÄNDERUNGEN

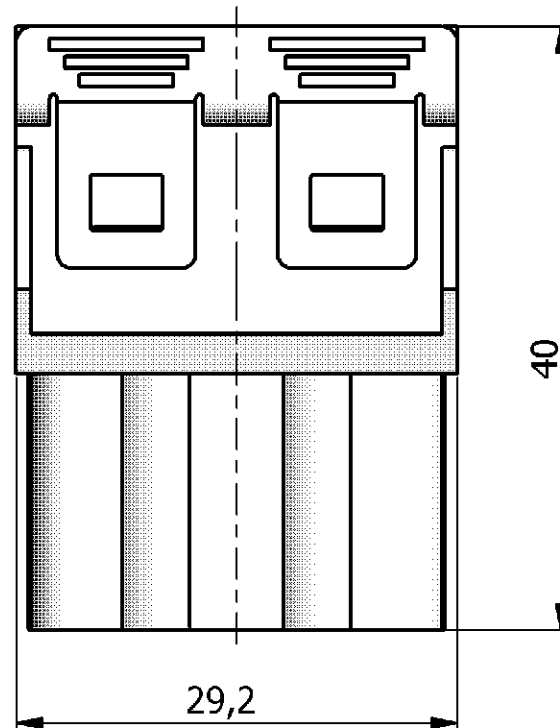
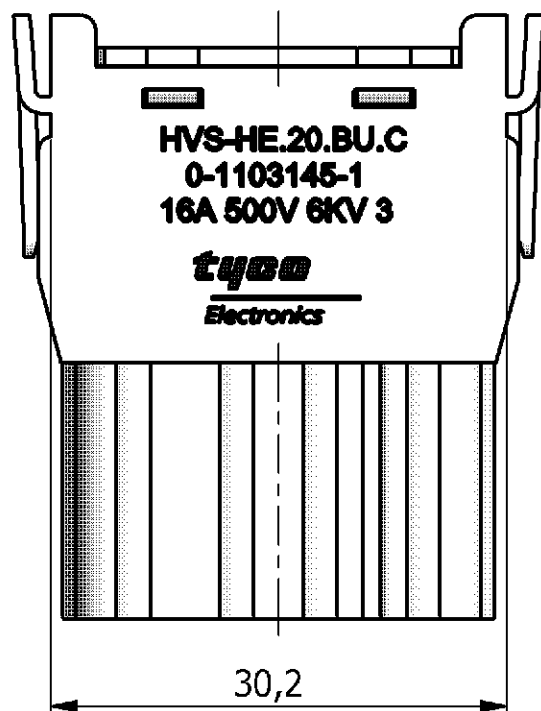
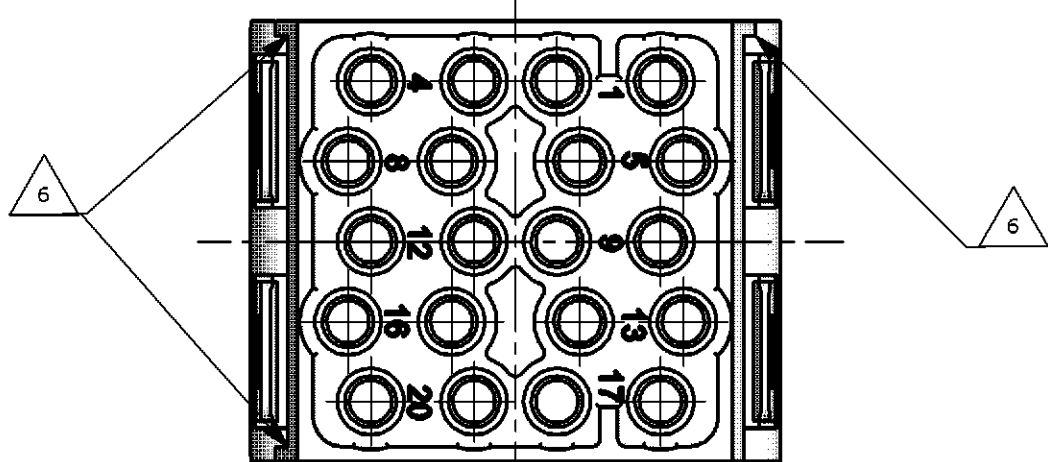
P	LTR	DESCRIPTION	BESCHREIBUNG	DATE	DWN	APVD
	A4	NOTES CHANGED	ECR-06-029805	21.12.2006	SR	SM

PROJEKT NR.:
EGGMN04410

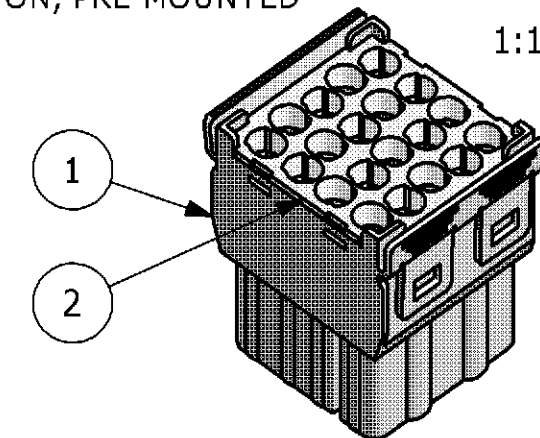
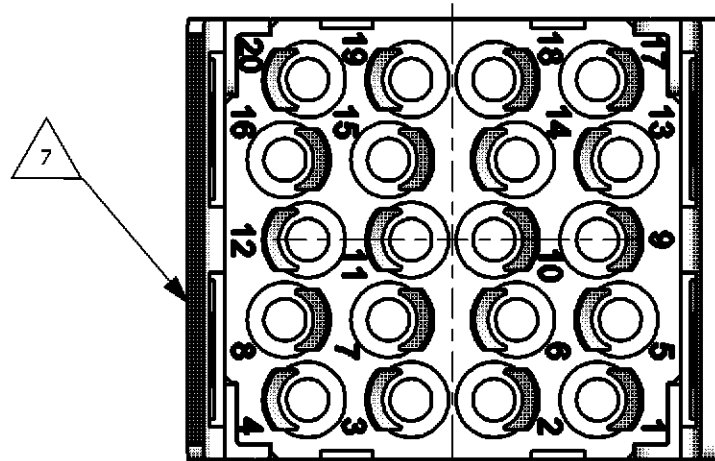
NOTES

- 1 SUITABLE CRIMP CONTACTS: SERIES HE / HA
CUSTOMER DRAWING: 1105101
OUTER DIMENSIONS OF INSULATION: MAX. Ø4,9 MM
- 2 SUITABLE MODULE FIXING FRAME: SERIES HVS SIZE 3 TO 8
CUSTOMER DRAWING: 1103250
- 3 SUITABLE INSERTION TOOL:
CUSTOMER DRAWING: 0-1102855-6
- 4 SUITABLE EXTRACTION TOOL:
CUSTOMER DRAWING: 0-1102855-7
- 5 STANDARDS:
DIN EN 61984; DIN EN 60664-1
- 6 POLARIZATION RIPS
- 7 MARKING OF POLARIZATION ACCORDING MARKING OF
MODULE FRAME
- 8 PACKAGING:
10 SETS IN A CARTON, PRE-MOUNTED

Contact arrangement
view from connecting side



Contact arrangement
view from termination side



0-1 as shown
HVS-HE.20.Bu.C

QTY.	DESCRIPTION	MATERIAL	SURFACE	COLOR	ITEM
1	COVER	PBT-GF15		LIGHT-GREY	2
1	FEMALE INSERT	PBT-GF10		LIGHT-GREY	1

PARTS LIST

<small>THIS DRAWING IS A CONTROLLED DOCUMENT FOR AMP INCORPORATED. IT IS SUBJECT TO CHANGE AND THE CONTROLLING ENGINEERING ORGANIZATION SHOULD BE CONTACTED FOR THE LATEST REVISION. DIESES ZEICHNUNGS-DOKUMENT WIRD DURCH AMP INCORPORATED KONTROLLIERT. ÄNDERUNGEN, DIE DEM TECHNISCHEN FORTSCHRITT DIENEN, SIND VORBEHALTEN. DEN JEWELN LETZTBESTEHENDEN ÄNDERUNGSSTAND ERFAHREN SIE AUF ANFRAGE.</small>		DWN 01.09.2005 M. SCHWEIGER	Tyco / Electronics AMP GmbH D - 53819 Neunkirchen	
DIMENSIONS: DIMENSIONEN: mm	TOLERANCES UNLESS OTHERWISE SPECIFIED: ALLGEMEINTOLERANZEN	CHK 31.08.2005 TH. SCHNURPFEL	NAME FEMALE INSERT HVS-HE.20.BU.C	
	n. ISO 8015 n. ISO 2768 - mH -E n. DIN 16901 - 140	APVD	PRODUCT SPEC PRODUKTSPEZ. 108-74074	SIZE A3
MATERIAL	FINISH / OBERFLÄCHE / FARBE	APVD	APPLICATION SPEC VERARBEITUNGSSPEZ. 114-74073	CAGE CODE 00779
			WEIGHT GEWICHT	DRAWING NO ZEICHNUNGS-NR. 1103145
			CUSTOMER DRAWING / KUNDENZEICHNUNG	
			SCALE MASSSTAB 2:1	SHEET BLATT 1 OF VON 1 REV A4