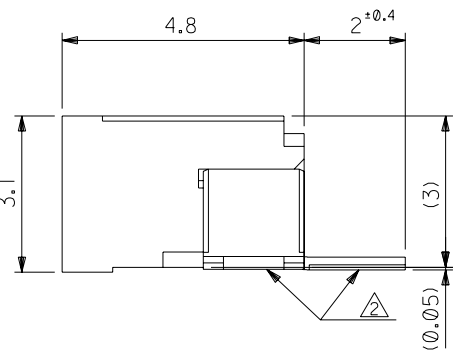
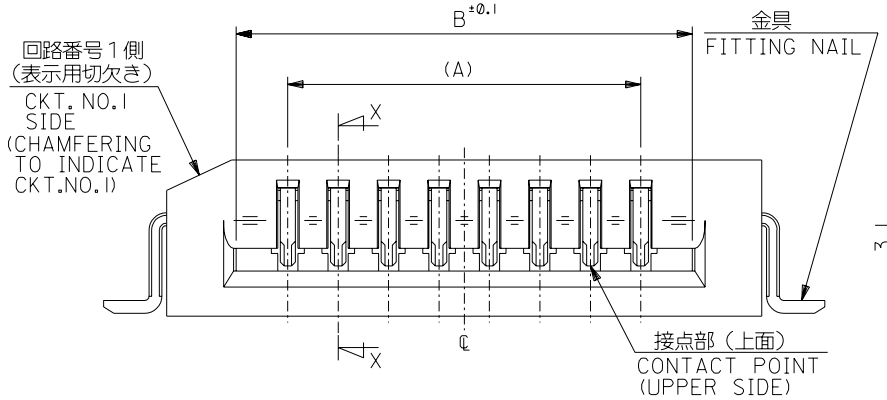
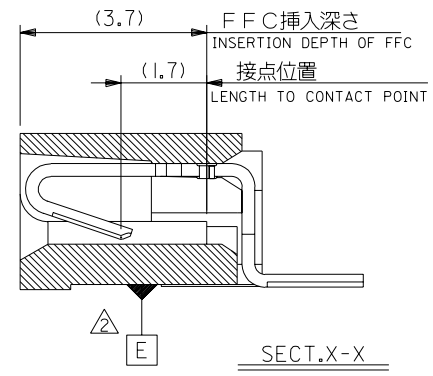
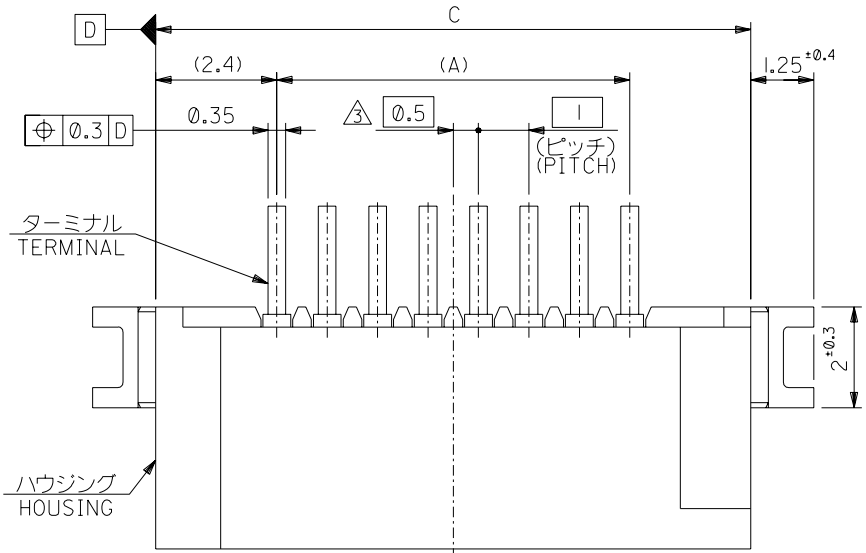


DWG. NO. SD-52793-011



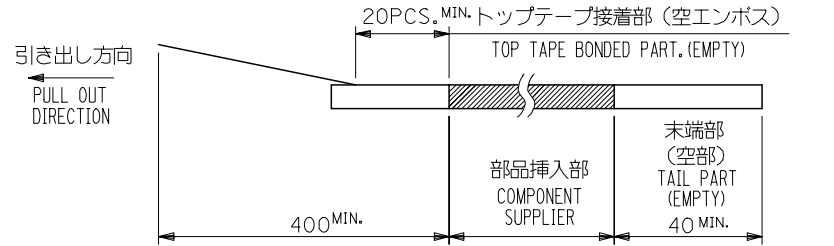
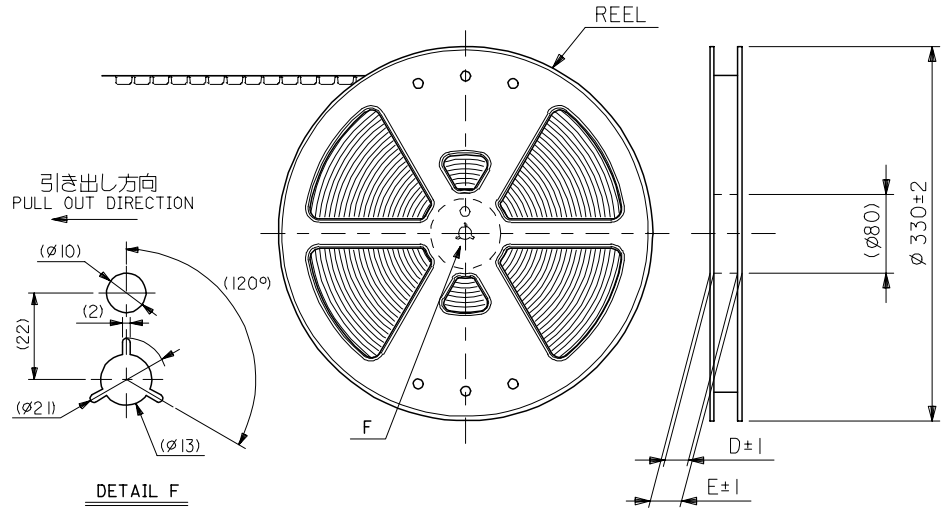
33.8	31.05	29	52793-3019	30
32.8	30.05	28	-2919	29
31.8	29.05	27	-2819	28
30.8	28.05	26	-2719	27
29.8	27.05	25	-2619	26
28.8	26.05	24	-2519	25
27.8	25.05	23	-2419	24
26.8	24.05	22	-2319	23
25.8	23.05	21	-2219	22
24.8	22.05	20	-2119	21
23.8	21.05	19	-2019	20
22.8	20.05	18	-1919	19
21.8	19.05	17	-1819	18
20.8	18.05	16	-1719	17
19.8	17.05	15	-1619	16
18.8	16.05	14	-1519	15
17.8	15.05	13	-1419	14
16.8	14.05	12	-1319	13
15.8	13.05	11	-1219	12
14.8	12.05	10	-1119	11
13.8	11.05	9	-1019	10
12.8	10.05	8	-0919	9
11.8	9.05	7	-0819	8
10.8	8.05	6	-0719	7
9.8	7.05	5	-0619	6
8.8	6.05	4	-0519	5
7.8	5.05	3	-0419	4
6.8	4.05	2	52793-0319	3
C	B	A	MATERIAL NO	極数 CIRCUIT

DO NOT SCALE DRAWING

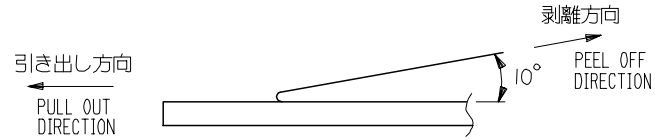
EC NO. DRWN: CH'K: APPR:	EC NO. DRWN: CH'K: APPR:	EC NO. DRWN: CH'K: APPR:	EC NO. DRWN: CH'K: APPR:	RELEASED EC NO. J2004-1419 DRWN: H.KAWABATA '03/12/09 CH'K: K.TOJO '03/12/09 APPR: H. Sasaki '03/12/09	MATERIAL 材料 注記参照 SEE NOTES	GENERAL TOLERANCES: (UNLESS SPECIFIED) 一般公差 10 UNDER 未満 ±0.2 10 OVER 30 UNDER 未満 ±0.25 30 OVER 以上 ±0.3 ANGLE 角度 ±3°	SCALE 10:1 DESIGN UNITS [X]mm []INCH DRAWN BY & DATE H.KAWABATA '03/12/09 CHECKED BY & DATE K.TOJO '03/12/09 APPROVED BY & DATE H. Sasaki '03/12/09 CAD FILENAME SD-52793-011.S01	DIMENSIONS: []mm []INCH [X]mm ONLY THIRD ANGLE PROJECTION TITLE: 1.0 FFC CONN. NON ZIF SMT R/A (UPPER CONTACT) -LEAD FREE- MOLEX MOLEX INCORPORATED MATERIAL NO. 52793-***19 DRAWING NO. SD-52793-011 SHEET NO. 1 OF 2	SHT REV REVISE ON CAD ONLY
8	7	6	5	4	3	2	1	EN-02J(097) MXJ-54	

SD-52793-011.S01

- NOTES**
- 製品詳細寸法については 製品単体図面 を参照下さい。
RE DETAILED DIMENSION, SEE SALES DRAWING FOR CONNECTOR.
 - 梱包数量：1000個/リール
NUMBER OF CONNECTORS : 1000PCS/REEL
 - リードテープ長さ LEAD TAPE LENGTH



- トップテープの剥離強度：0.1-1.3 N(10-130gf) (剥離方向は下図参照)
尚、本規格値は出荷時に適用。(但し、輸送時に剥離が発生しないこと。)
PEELING OFF FORCE OF TOP TAPE : 0.1-1.3 N(10-130gf)
(PEELING DIRECTION AS SHOWN IN FOLLOWING FIG.)
THIS REQUIREMENT SHOULD BE APPLIED AT SHIPMENT.
PEEL OFF SHOULD NOT BE ALLOWED , DURING TRANSPORTATION.



- 材料 (MATERIAL)
キャリアテープ (CARRIER TAPE) : ポリプロピレン (POLYPROPYLENE)
トップテープ (TOPTAPE) : PET , PE , PEF
リール (REEL) : ポリスチレン (PS) <リサイクル材を含む>
POLYSTYRENE (PS) <RECYCLE MATERIAL CONTAINED>
- 本製品は 52793-***90 の鉛フリー品である。
THIS PRODUCT IS LEAD FREE OF 52793-***90

52793-***90 MODEL NO.

REVISED EC NO: J2006-0384 DRW: NAITA 2005/08/08 CHK: KTOYODA 2005/08/09 APPR: NUKITA 2005/08/22	GENERAL TOLERANCES (UNLESS SPECIFIED)		DIMENSION STYLE MM ONLY		SCALE ---	DESIGN UNITS METRIC	THIRD ANGLE PROJECTION	
	10 UNDER	±0.2	DRAWN BY M. NAGATA	DATE '03/12/09	TITLE 1.0 FFC CONN. NON ZIF SMT RA EMBSTP PKG -LEAD FREE-			
	10 OVER 30 UNDER	±0.25	CHECKED BY K. TOJO	DATE '03/12/09				
	30 OVER	±0.3	APPROVED BY M. SASAO	DATE '03/12/09	MOLEX INCORPORATED			
ANGULAR	±3 °	MATERIAL NO. SEE CHART		DOCUMENT NO. SD-52793-012				
DRAFT WHERE APPLICABLE MUST REMAIN WITHIN DIMENSIONS		THIS DRAWING CONTAINS INFORMATION THAT IS PROPRIETARY TO MOLEX INCORPORATED AND SHOULD NOT BE USED WITHOUT WRITTEN PERMISSION						

10 9 8 7 6 5 4 3 2 1

F

E

D

C

B

A

F

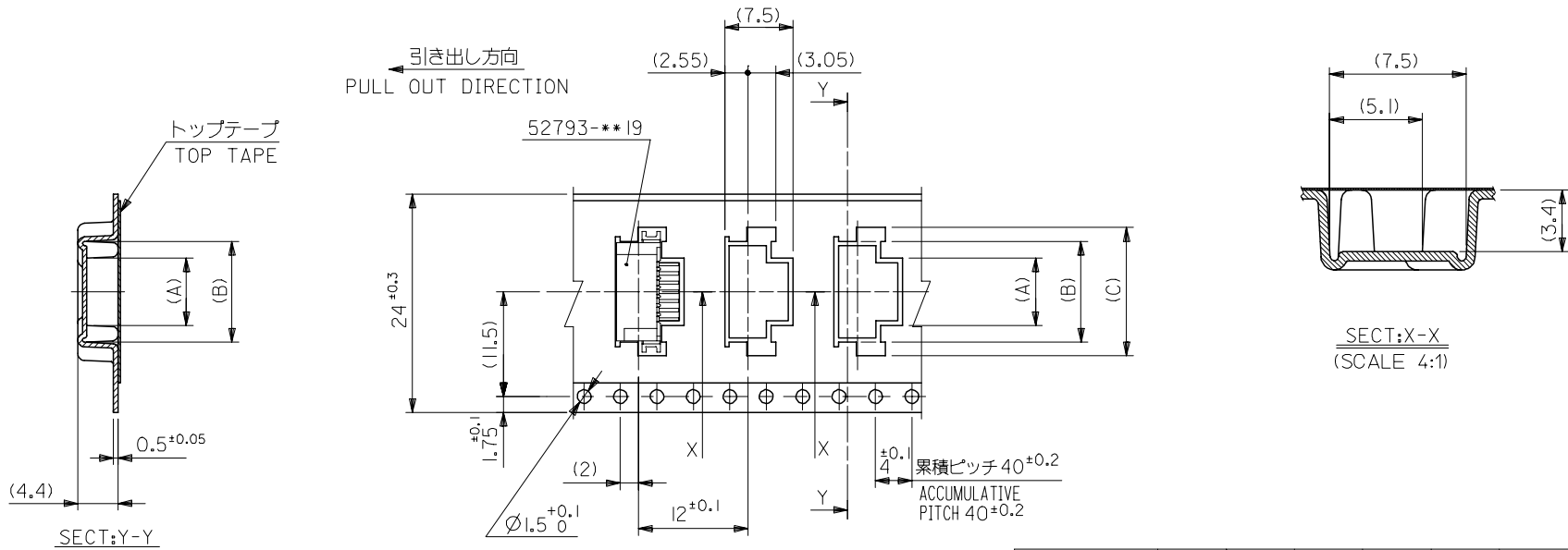
E

D

C

B

A



24mm幅キャリアテープ
24mm WIDTH CARRIER TAPE

24	29.4	25.4	18.1	15.1	11.4	52793-1170	11
			17.1	14.1	10.4	52793-1070	10
			16.1	13.1	9.4	52793-0970	9
			15.1	12.1	8.4	52793-0870	8
			14.1	11.1	7.4	52793-0770	7
			13.1	10.1	6.4	52793-0670	6
			12.1	9.1	5.4	52793-0570	5
11.1	8.1	4.4	52793-0470	4			
キャリアテープ幅 CARRIER TAPE WIDTH	E	D	(C)	(B)	(A)	MATERIAL NO.	極数 CKT.
						52793-***70	MODEL NO.

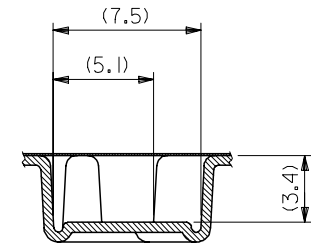
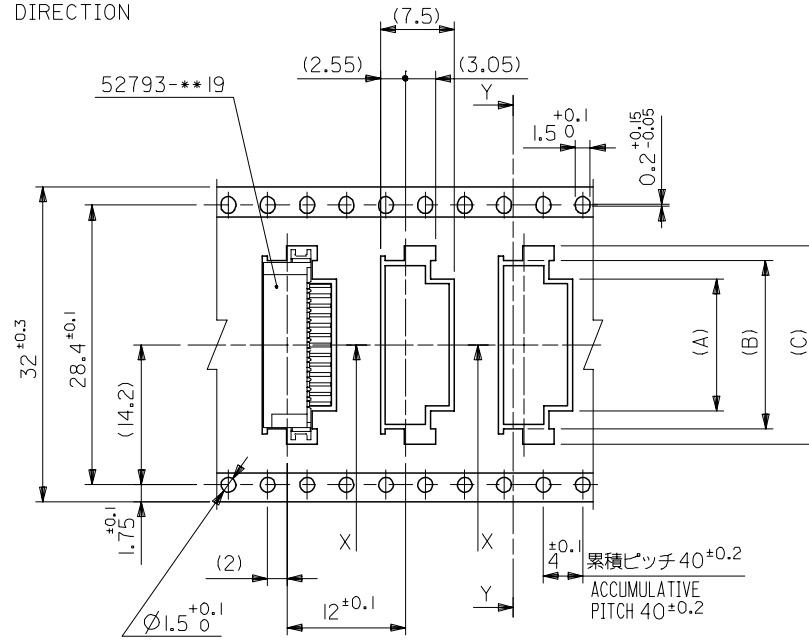
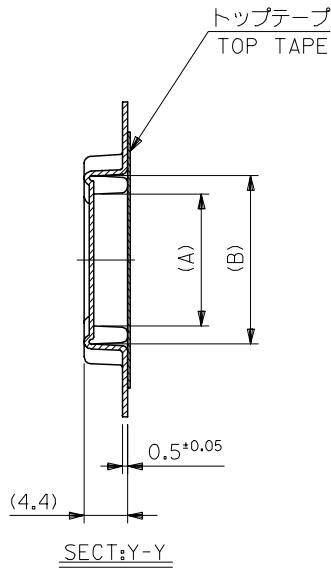
REVISED EC NO: J2006-0384 DRW:NAIDA 2005/08/08 CHK:KTOYODA 2005/08/09 APP:NUKITA 2005/08/22	GENERAL TOLERANCES (UNLESS SPECIFIED)		DIMENSION STYLE MM ONLY		SCALE ---	DESIGN UNITS METRIC	THIRD ANGLE PROJECTION
	10 UNDER	±0.2	DRAWN BY M. NAGATA	DATE '03/12/09	TITLE 1.0 FFC CONN. NON ZIF SMT RA EMBSTP PKG -LEAD FREE-		
	10 OVER 30 UNDER	±0.25	CHECKED BY K. TOJO	DATE '03/12/09	MOLEX INCORPORATED		
	30 OVER	±0.3	APPROVED BY M. SASAO	DATE '03/12/09	MATERIAL NO. SEE CHART	DOCUMENT NO. SD-52793-012	SHEET NO. 2 OF 5
	ANGULAR	±3 °	DRAFT WHERE APPLICABLE MUST REMAIN WITHIN DIMENSIONS		THIS DRAWING CONTAINS INFORMATION THAT IS PROPRIETARY TO MOLEX INCORPORATED AND SHOULD NOT BE USED WITHOUT WRITTEN PERMISSION		

10 9 8 7 6 5 4 3 2 1

F
E
D
C
B
A

F
E
D
C
B
A

引き出し方向
PULL OUT DIRECTION



32mm幅キャリアテープ
32mm WIDTH CARRIER TAPE

32	37.4	33.4	23.1	20.1	16.4	52793-1670	I6
			22.1	19.1	15.4	52793-1570	I5
			21.1	18.1	14.4	52793-1470	I4
			20.1	17.1	13.4	52793-1370	I3
			19.1	16.1	12.4	52793-1270	I2
キャリアテープ幅 CARRIER TAPE WIDTH	E	D	(C)	(B)	(A)	MATERIAL NO.	極数 CIRCUIT

52793-***70 MODEL NO.

REVISED EC NO: J2006-0384 DRW:NAIDA 2005/08/08 CHK:KTOYODA 2005/08/09 APP:NUKITA 2005/08/22	GENERAL TOLERANCES (UNLESS SPECIFIED)		DIMENSION STYLE MM ONLY		SCALE ---	DESIGN UNITS METRIC	THIRD ANGLE PROJECTION
	10 UNDER	±0.2	DRAWN BY M. NAGATA	DATE '03/12/09	TITLE 1.0 FFC CONN. NON ZIF SMT RA EMBSTP PKG -LEAD FREE-		
	10 OVER 30 UNDER	±0.25	CHECKED BY K. TOJO	DATE '03/12/09	MOLEX INCORPORATED		
	30 OVER	±0.3	APPROVED BY M. SASAO	DATE '03/12/09	DOCUMENT NO. SD-52793-012		
	ANGULAR	±3 °	MATERIAL NO. SEE CHART		SHEET NO. 3 OF 5		
DRAFT WHERE APPLICABLE MUST REMAIN WITHIN DIMENSIONS		SIZE A3		THIS DRAWING CONTAINS INFORMATION THAT IS PROPRIETARY TO MOLEX INCORPORATED AND SHOULD NOT BE USED WITHOUT WRITTEN PERMISSION			

10 9 8 7 6 5 4 3 2 1

F

E

D

C

B

A

F

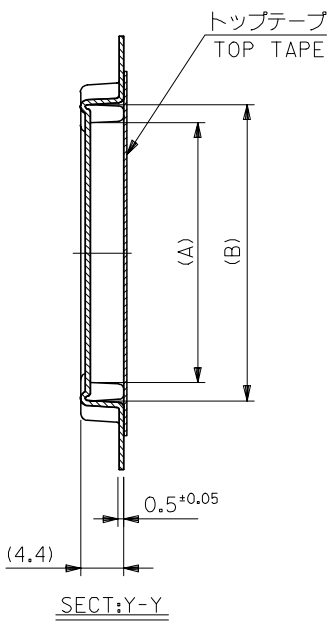
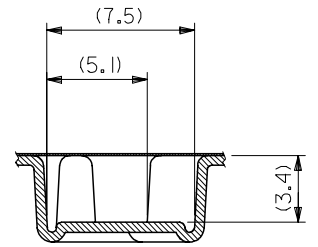
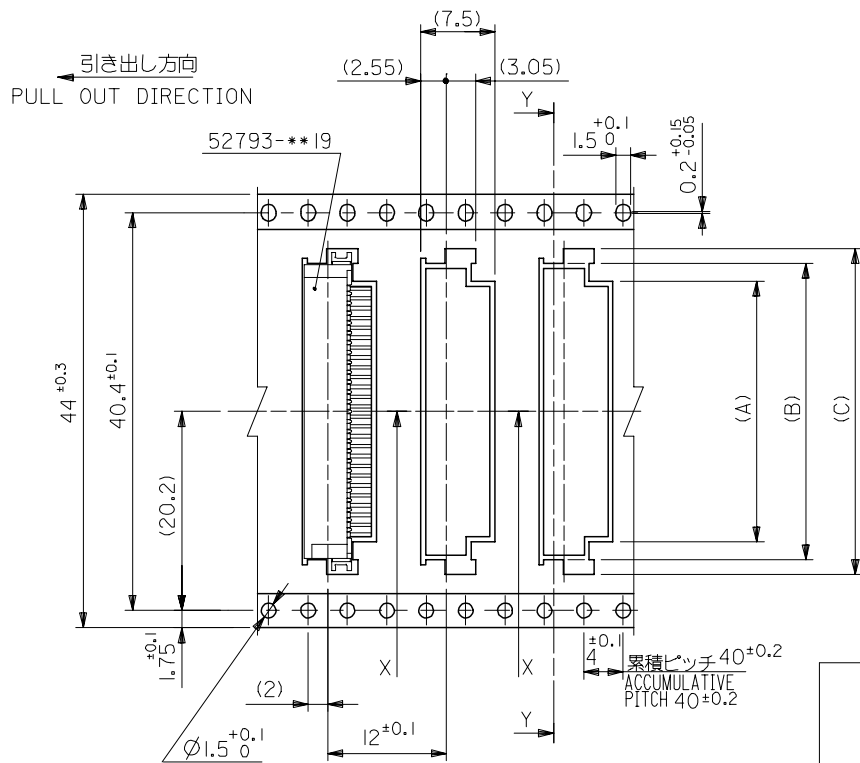
E

D

C

B

A



44mm幅キャリアテープ
44mm WIDTH CARRIER TAPE

44	49.4	45.4	34.1	31.1	27.4	52793-2770	27
			33.1	30.1	26.4	52793-2670	26
			32.1	29.1	25.4	52793-2570	25
			31.1	28.1	24.4	52793-2470	24
			30.1	27.1	23.4	52793-2370	23
			29.1	26.1	22.4	52793-2270	22
			28.1	25.1	21.4	52793-2170	21
			27.1	24.1	20.4	52793-2070	20
			26.1	23.1	19.4	52793-1970	19
			25.1	22.1	18.4	52793-1870	18
24.1	21.1	17.4	52793-1770	17			
キャリアテープ幅 CARRIER TAPE WIDTH	E	D	(C)	(B)	(A)	MATERIAL NO.	極数 CIRCUIT

累積ピッチ 40 ±0.2
ACCUMULATIVE PITCH 40 ±0.2

REVISED EC NO: J2006-0384 DRW:NAIDA 2005/08/08 CHK:KTOYODA 2005/08/09 APPR:NUKITA 2005/08/22	GENERAL TOLERANCES (UNLESS SPECIFIED)		DIMENSION STYLE MM ONLY		SCALE ---	DESIGN UNITS METRIC	THIRD ANGLE PROJECTION
	10 UNDER	±0.2	DRAWN BY M. NAGATA	DATE '03/12/09	TITLE 1.0 FFC CONN. NON ZIF SMT RA EMBSTP PKG -LEAD FREE-		
	10 OVER 30 UNDER	±0.25	CHECKED BY K. TOJO	DATE '03/12/09	MOLEX INCORPORATED		
	30 OVER	±0.3	APPROVED BY M. SASAO	DATE '03/12/09	DOCUMENT NO. SD-52793-012	SHEET NO. 4 OF 5	
	ANGULAR	±3 °	MATERIAL NO. SEE CHART				
DRAFT WHERE APPLICABLE MUST REMAIN WITHIN DIMENSIONS		SIZE A3		THIS DRAWING CONTAINS INFORMATION THAT IS PROPRIETARY TO MOLEX INCORPORATED AND SHOULD NOT BE USED WITHOUT WRITTEN PERMISSION			

10 9 8 7 6 5 4 3 2 1

F

E

D

C

B

A

F

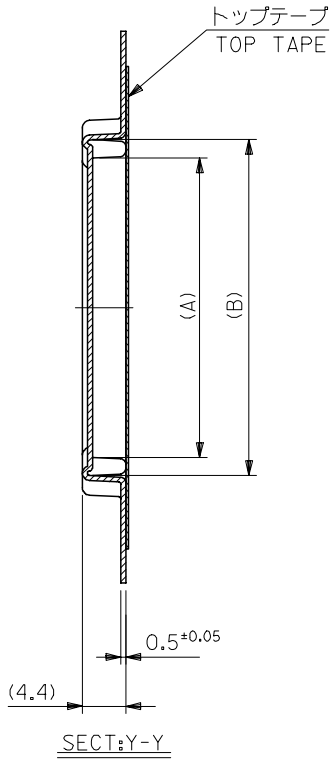
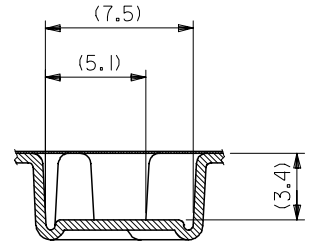
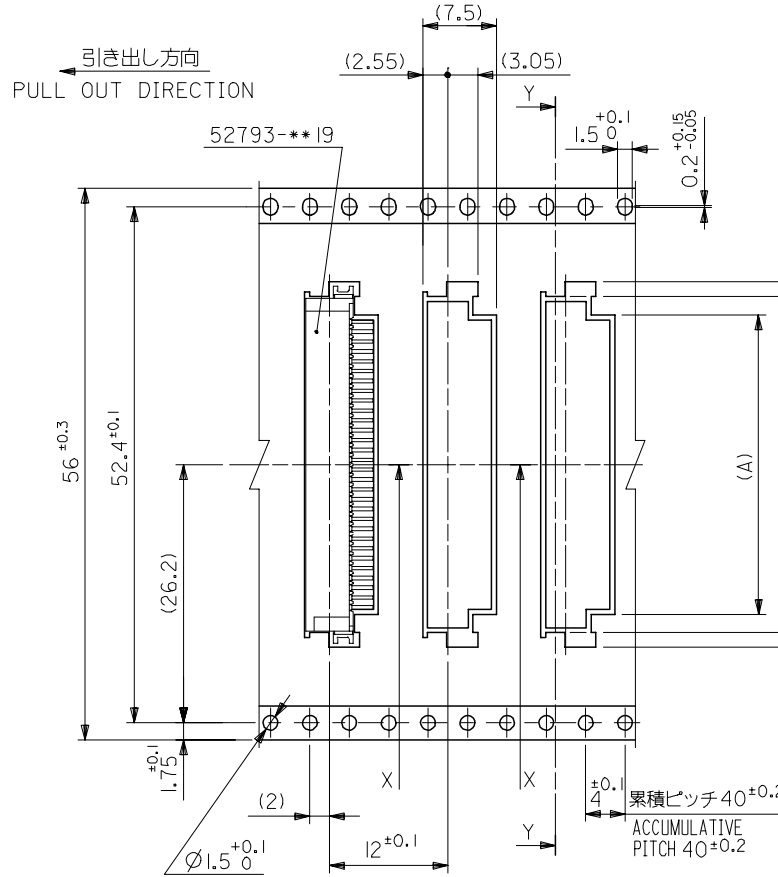
E

D

C

B

A



56mm幅キャリアテープ
56mm WIDTH CARRIER TAPE

56	61.4	57.4	37.1	34.1	30.4	52793-3070	30
			36.1	33.1	29.4	52793-2970	29
			35.1	32.1	28.4	52793-2870	28
キャリアテープ幅 CARRIER TAPE WIDTH	E	D	(C)	(B)	(A)	MATERIAL NO.	極数 CIRCUIT
						52793-***70	MODEL NO.

REVISED EC NO: J2006-0384 DRW:NAIDA 2005/08/08 CHK:KTOYODA 2005/08/09 APPR:NUKITA 2005/08/22	GENERAL TOLERANCES (UNLESS SPECIFIED)		DIMENSION STYLE MM ONLY		SCALE ---	DESIGN UNITS METRIC	THIRD ANGLE PROJECTION
	10 UNDER	±0.2	DRAWN BY M. NAGATA	DATE '03/12/09	TITLE 1.0 FFC CONN. NON ZIF SMT RA EMBSTP PKG -LEAD FREE-		
	10 OVER 30 UNDER	±0.25	CHECKED BY K. TOJO	DATE '03/12/09	MOLEX INCORPORATED		
	30 OVER	±0.3	APPROVED BY M. SASAO	DATE '03/12/09	MATERIAL NO. SEE CHART	DOCUMENT NO. SD-52793-012	SHEET NO. 5 OF 5
	ANGULAR	±3 °	DRAFT WHERE APPLICABLE MUST REMAIN WITHIN DIMENSIONS				

9

8

7

6

5

4

3

2