

EXCELON® 74
Oil Removal Filters
3/8", 1/2", 3/4" Port Sizes

- **EXCELON design allows in-line or modular installation**
- **Quick release bayonet bowl**
- **Highly visible, prismatic liquid level indicator lens**
- **Standard visual service indicator turns from green to red when the filter element needs to be replaced**
- **Optional electrical service indicator provides electrical output when the filter element needs to be replaced - see page N/AL.8.900.920**
- **Modular installations with EXCELON 72, 73, and 74 series can be made to suit particular applications**

Install an F74G pre-filter with a 5 µm filter element upstream of the F74C and F74H filters for optimum coalescing element life.


Technical Data

Fluid: Compressed air

Maximum pressure:

Transparent bowl: 10 bar (150 psig)

Metal bowl: 17 bar (250 psig)

Operating temperature*:

Transparent bowl: -20° to 50°C (0° to 125°F)

Metal bowl: -20° to 65°C (0° to 150°F)

* Air supply must be dry enough to avoid ice formation at temperatures below +2°C (+35°F).

Particle removal: Down to 0,01 µm

Air quality: Within ISO 8573-1, Class 1 (particulates) and Class 2 (oil content)

Maximum remaining oil content in outlet air: 0,01 ppm at 20°C (70°F) with an inlet concentration of 17 ppm

Maximum flow at 6,3 bar (90 psig) inlet pressure to maintain stated oil removal performance:

F74C: 16 dm³/s (33.9 scfm)

F74H: 28 dm³/s (59.3 scfm)

Manual drain connection: 1/8"

Automatic drain connection: 1/8"

Automatic drain operating conditions (float operated):

Bowl pressure required to close drain: Greater than 0,3 bar (5 psig)

Bowl pressure required to open drain: Less than 0,2 bar (3 psig)

Minimum air flow required to close drain: 1 dm³/s (2 scfm)

Manual operation: Depress pin inside drain outlet to drain bowl

Nominal bowl size: 0,2 litre (7 fluid ounce)

Materials:

Body: Aluminum

Bowl:

Transparent: Polycarbonate with steel bowl guard

Metal: Aluminum

Metal bowl liquid level indicator lens:

Transparent nylon

Element: Synthetic fibre and polyurethane foam

Elastomers: Neoprene and Nitrile

Service indicator:

Body: Transparent nylon

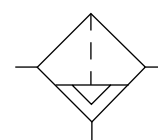
Internal parts: Acetal

Spring: Stainless steel

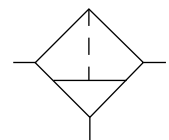
Elastomers: Nitrile

Ordering Information

See *Ordering Information* on the following pages.

ISO Symbols


Automatic Drain

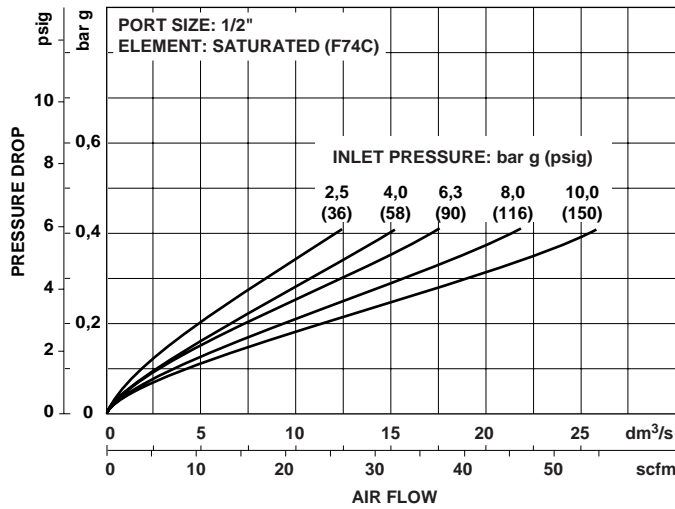


Manual Drain

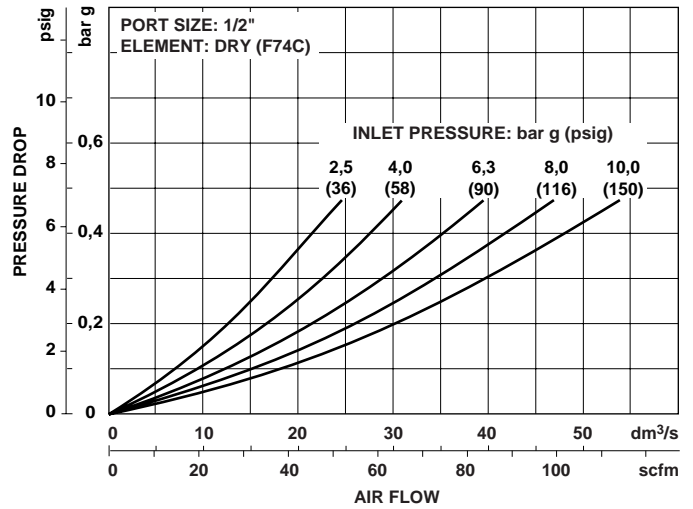


Typical Performance Characteristics

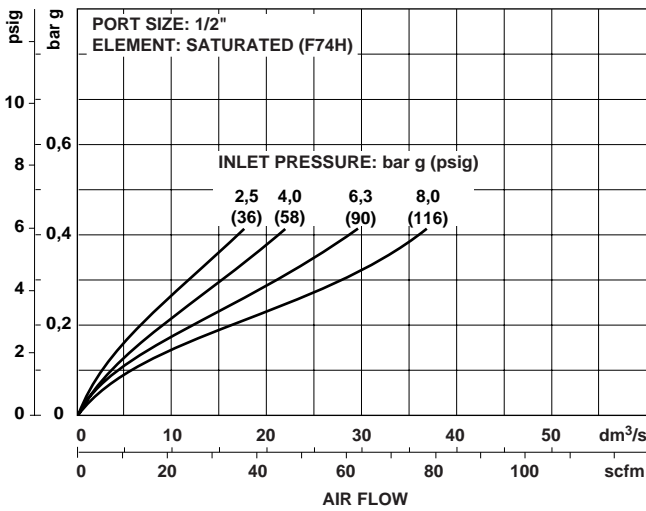
FLOW CHARACTERISTICS



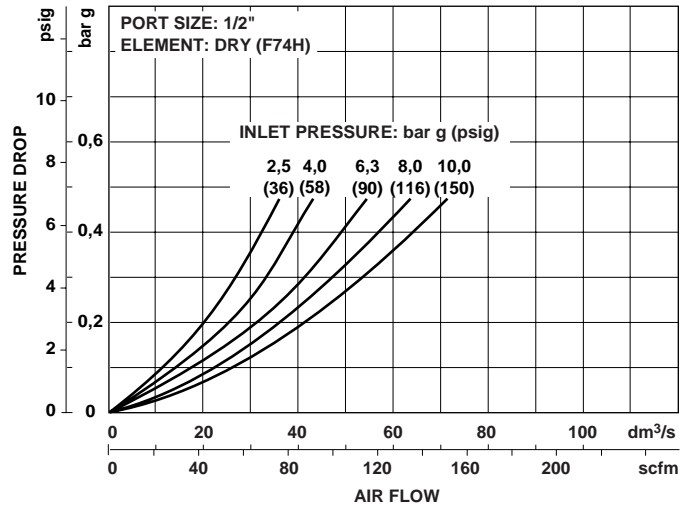
FLOW CHARACTERISTICS



FLOW CHARACTERISTICS



FLOW CHARACTERISTICS



Inlet Pressure bar (psig)	Maximum Flow† dm³/s (scfm)	
	F74C	F74H
1 (15)	6,4 (13.6)	11,2 (23.7)
3 (45)	11,0 (23.3)	19,3 (40.9)
5 (75)	14,3 (30.3)	24,9 (52.8)
6,3 (90)	16,0 (33.9)	28,0 (59.3)
7 (105)	16,9 (35.8)	29,5 (62.5)
9 (135)	19,1 (40.5)	33,5 (71.0)

† Maximum flow to maintain stated oil removal performance.

Ordering Information. Models listed include ISO G parallel threads, service indicator, automatic drain, and a metal bowl with liquid level indicator.

Main Port Size	Body and Element	Model Number	Maximum Flow* dm³/s (scfm)	Weight kg (lb)
G3/8	Standard	F74C-3GD-AD0	16,0 (33.9)	0,85 (1.88)
G1/2	Standard	F74C-4GD-AD0	16,0 (33.9)	0,83 (1.84)
G1/2	High Flow	F74H-4GD-AD0	28,0 (59.3)	1,11 (2.45)
G3/4	High Flow	F74H-6GD-AD0	28,0 (59.3)	1,10 (2.40)

* Maximum flow with 6,3 bar (90 psig) inlet pressure to maintain stated oil removal characteristics.



Alternative Models

Body and Element	Substitute	Element	Substitute
Standard*	C	Coalescing	0
High Flow**	H		

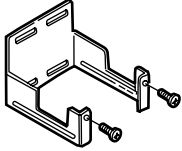
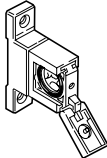

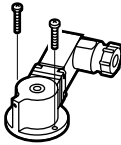
Port Size	Substitute	Bowl	Substitute
3/8"	3	Metal with liquid level indicator	D
1/2"	4	Transparent with guard	P
3/4"	6		

Threads	Substitute	Drain	Substitute
PTF	A	Automatic	A
ISO Rc taper	B	Manual 1/4 turn	Q
ISO G parallel	G		

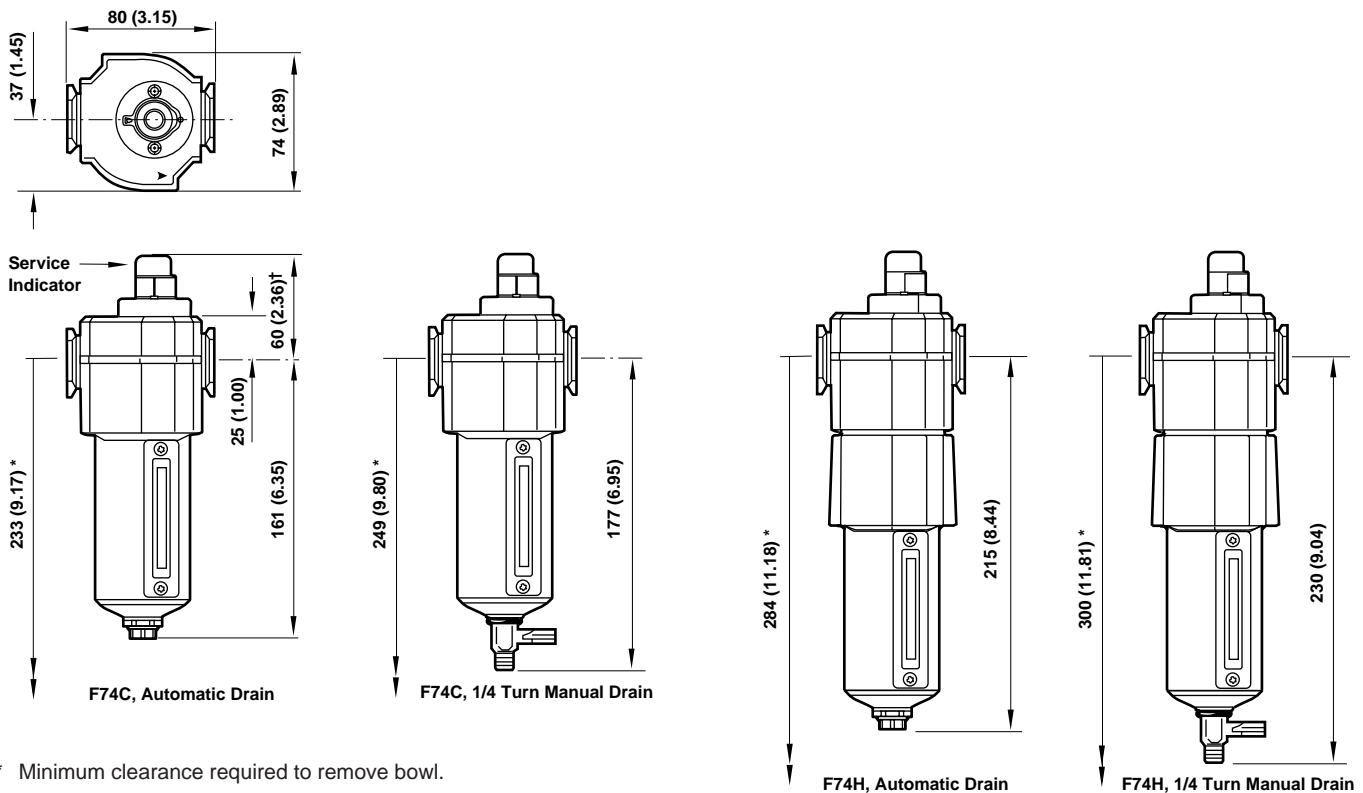
Service Life Indicator	Substitute
With (visual)	D
With (electrical)	E
Without	N

* available with 3/8" or 1/2" ports
 ** available with 1/2" or 3/4" ports

Accessories

			
Wall Mounting Bracket	Quikclamp and Quikclamp Wall Bracket	Service Life Indicator (visual)	Service Life Indicator (electrical)
4324-50	4314-52	5797-50	4020-51

Dimensions mm (inches)



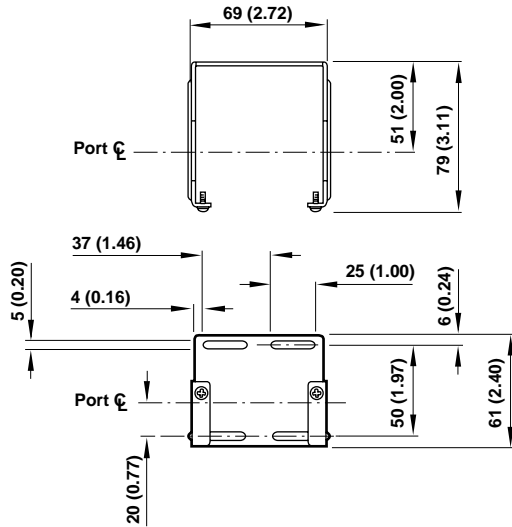
* Minimum clearance required to remove bowl.
 † Dimension for alternative electrical service indicator is 50,4 mm (1.98")



Bracket Mounting

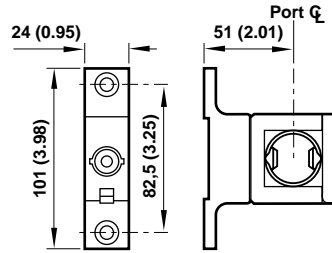
Mounting Bracket

Use 5 mm (3/16") screws to mount bracket to wall.



Quikclamp and Quikclamp Wall Bracket

Use 6 mm (7/32") screws to mount bracket to wall.



Bracket Kit Reference

Item	Part Number
Wall Bracket	4324-50
Quikclamp and Quikclamp Wall Bracket	4314-52

Service Kits

Item	Type	Part Number
Service kit	Seal and gasket	4380-730
Replacement elements	Standard	4344-01
	High flow	4344-02
Service life indicator	Visual	5797-50
	Electrical	4020-51
Liquid level kit	Prismatic	4380-050
Replacement drains	Automatic (1/8 NPT outlet)	3000-10
	Automatic (G1/8 outlet)	3000-97
	Manual quarter turn	619-50

Service kits include element seal, bowl seal and drain seal.

Warning

These products are intended for use in industrial compressed air systems only. Do not use these products where pressures and temperatures can exceed those listed under 'Technical Data'.

Before using these products with fluids other than those specified, for non-industrial applications, life-support systems, or other applications not within published specifications, consult Norgren.

Through misuse, age, or malfunction, components used in fluid power systems can fail in various modes. The system designer is warned to consider the failure modes of all component parts used in fluid power systems and to provide adequate safeguards to prevent personal injury or damage to equipment in the event of such failure.

System designers must provide a warning to end users in the system instructional manual if protection against a failure mode cannot be adequately provided.

System designers and end users are cautioned to review specific warnings found in instruction sheets packed and shipped with these products.

Water vapor will pass through these units and will condense into liquid if air temperature drops in the downstream system. Install an air dryer if water condensation could have a detrimental effect on the application.