

Memory Card Systems

JEIDA/PCMCIA type I, II and type I, II and III Selection Guide

634-517
634 505

Eject headers, type I and II

		SINGLE DECK 90930-xxxxx				DOUBLE DECK 90953-xxxxx							
solder tail	stand off mm	TOP		BOTTOM		TOP				BOTTOM			
		PUSH ROD				PUSH ROD							
		R	L	R	L	R-L	L-R	R-R	L-L	R-L	L-R	R-R	L-L
	0	-00AAA	-10AAA	-50AAA	-60AAA	-00AAA	-10AAA	-20AAA	-30AAA	-50AAA	-60AAA	-70AAA	-80AAA
R/A	4	-01AAA	-11AAA	-51AAA	-61AAA								
	5	-02AAA	-12AAA	-52AAA	-62AAA								
SMT	0	-00BAA	-10BAA	-50BAA	-60BAA								

-8 mm, black color push rod
-FG contact

Eject headers, type I, II and III

		SINGLE DECK 92193-xxxxx				DOUBLE DECK 92194-xxxxx							
solder tail	stand off mm	TOP		BOTTOM		TOP				BOTTOM			
		PUSH ROD				PUSH ROD							
		R	L	R	L	R-L	L-R	R-R	L-L	R-L	L-R	R-R	L-L
	0	-000CA	-100CA	-500CA	-600CA	-000CA	-100CA	-200CA	-300CA	-500CA	-600CA	-700CA	-80CAA
R/A	2					-020CA	-120CA	-220CA	-320CA	-520CA	-620CA	-720CA	-820CA
	5	-050CA	-150CA	-550CA	-650CA								
SMT stagg. in line	0	-001CA	-101CA	-501CA	-601CA								
		-002CA	-102CA	-502CA	-602CA								

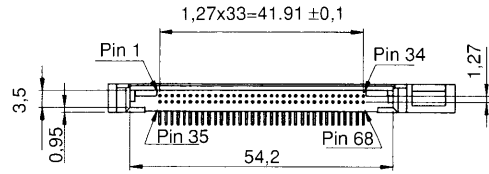
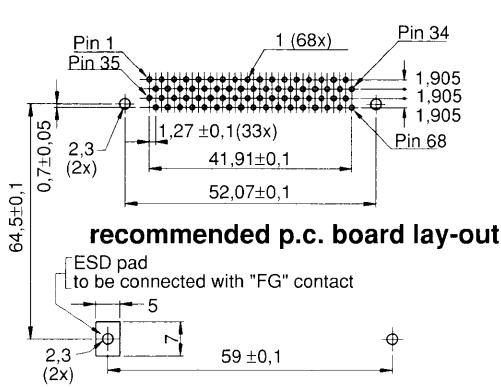
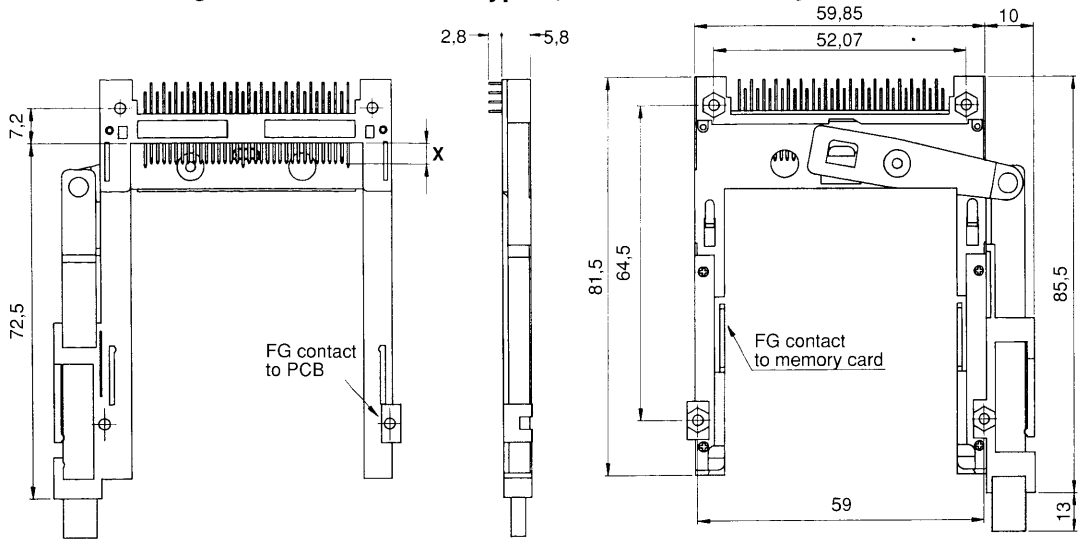
-13 mm, black color push rod
-ESD, EMI clip

Memory Card Systems

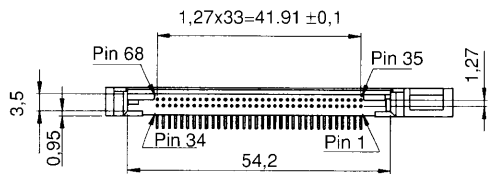
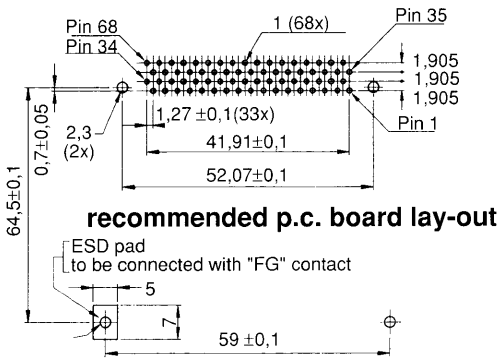
Headers JEIDA / PCMCIA - type I, II and III (2x34 pos.)

Ejector Header, Through mount, suitable for type I , II and III cards only

Dimensions in mm



Above-p.c. board mount version



Below-p.c. board mount version

Product No.	FG contact	Pin Length X	Pin No.	Colour
above pcb mount 92193-000CA	•	3,50 mm	36,67	Black
		4,25 mm	others	
		5,00 mm	1, 17, 34, 35, 51, 68	
below pcb mount 92193-600CA	•			

Housing material: Header : PPS
 Eject mechanism : LCP (UL 94V-0)
 Plates : stainless steel