

# TEDEA - HUNTLEIGH Model 620

## 'S' Type Load Cell



- **Capacities: 500 - 5000 kg ( - lbs)**
- **Stainless steel construction**
- **Fully welded protection, to IP68**
- **For use in tension & compression**
- **6 Wire (sense) circuit**
- **OIML, NTEP and EEx ia approved**

Model 620 is an advanced concept in providing the weighing industry with the ultimate protection necessary for today's hostile weighing environment.

Its all welded sealing combined with high accuracy, make this load cell ideally suited for lever conversions, hopper / tanks and vibratory feeders, general process weighing and force measurement applications. It is approved by OIML to R60, up to 3000 divisions.

Hermetically sealed against moisture, the construction of the model 620 combined with polyurethane dual shielded cable enables the load cell to function in harsh environments whilst maintaining its operating specifications.

The two additional sense wires feed back the voltage reaching the load cell. Complete compensation of changes in lead resistance due to temperature change and / or cable extension, is achieved by feeding this voltage into the appropriate electronics.



[info@tedea-huntleigh.com](mailto:info@tedea-huntleigh.com) [www.tedea-huntleigh.com](http://www.tedea-huntleigh.com)

7800 Deering Avenue • P.O. Box 7964 • Canoga Park, CA 91309-7964 USA • Tel: 800.626.2616 • Fax: 818.340.1175  
LOS ANGELES, USA DARMSTADT-EBERSTADT, GERMANY BEIJING, CHINA CARDIFF, UK NETANYA, ISRAEL KARMIEL, ISRAEL CHARTRES, FRANCE

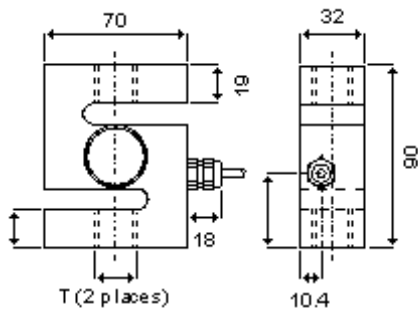
# 620 SPECIFICATIONS

GRADE	Z	E	F	C3	UNITS
Rated Capacities**	500, 1000, 2000, 5000				kg
Rated Output	2.2 ± 10%	2.0 ± 0.1%	2.0 ± 0.10%	2.0 ± 0.10%	mVV
Total Error*	0.075	0.050	0.030	0.020	±% of Applied Load
Zero Return After 30 Minutes	0.065	0.050	0.025	0.017	±% of Applied Load
Temperature Effect : On Output	0.0070	0.0040	0.0014	0.0012	±% of Applied Load / °C
: On Zero	0.0150	0.0070	0.0030	0.0023	±% of Rated Load Output / °C
Zero Balance	5.0	3.0	2.0	2.0	±% of Rated Output
Temperature Range : Operating	-30 to +80				°C
: Compensated	-10 to +40				°C
Safe Overload	150				% of Rated Capacity
Ultimate Overload	300				% of Rated Capacity
Excitation : Recommended	10				Volts AC or DC
: Maximum	15				Volts AC or DC
Input Impedance	400 ± 320				Ohms
Output Impedance	350 ± 3				Ohms
Insulation Impedance	>1000				Mega Ohms
Deflection at Rated Capacity	<0.4				mm
Weight : 500, 1000, & 2000 kg	0.9				kg
: 5000 kg	1.9				kg
Construction	Stainless Steel				
Environmental Protection	IP 68				
Cable	5 Meters (Standard), 6 Wire, Polyurethane Jacket, Dual Floating				
Approvals					

\*Total Error -According to OIML R60

\*\*C1 & C2 grades are also available

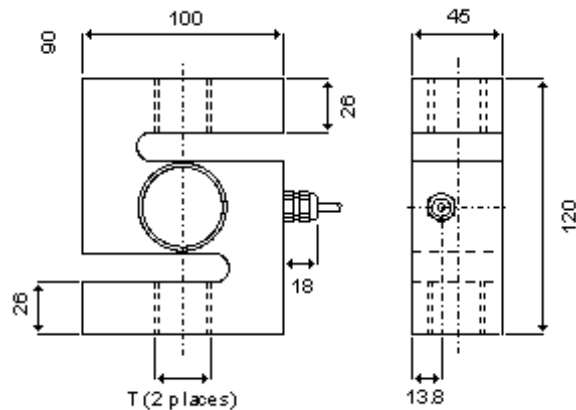
## Outline Dimensions Capacities 500, 1000, 2000 kg (in mm)



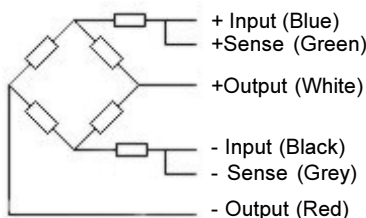
Thread Type 'T' By Capacity

Capacity	Thread Type
500 kg	M12 x 1.75
1000 kg	M16 x 2.0
2000 kg	M16 x 2.0
5000 kg	M24 x 2.0

## Outline Dimensions Capacities 5000 kg ONLY (in mm)



## Balanced Temperature Compensation



## Also Available from Tedeia-Huntleigh

Rod end bearings are available upon request. See the Tedeia-Huntleigh Accessory catalog for full details.



Due to Tedeia-Huntleigh's policy of continuous development, these specifications are subject to change without notice.

info@tedea-huntleigh.com www.tedeia-huntleigh.com

DS620-3, 1.97

7800 Deering Avenue • P.O. Box 7964 • Canoga Park, CA 91309-7964 USA • Tel: 800.626.2616 • Fax: 818.340.1175  
 LOS ANGELES, USA DARMSTADT-EBERSTADT, GERMANY BEIJING, CHINA CARDIFF, UK NETANYA, ISRAEL KARMIEL, ISRAEL CHARTRES, FRANCE