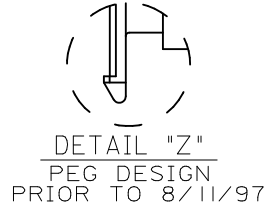
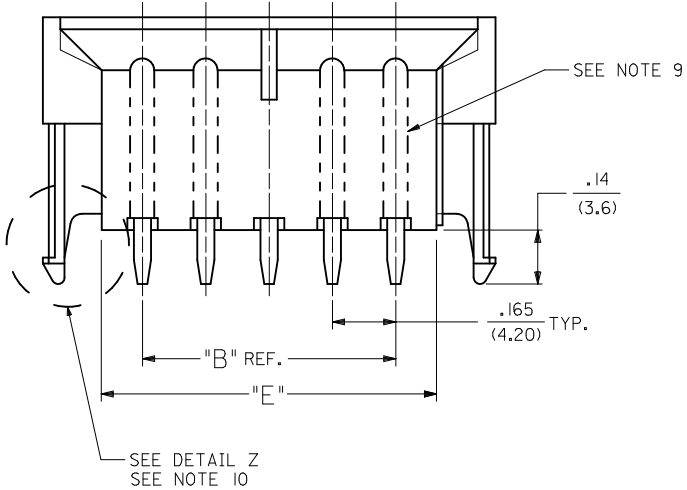
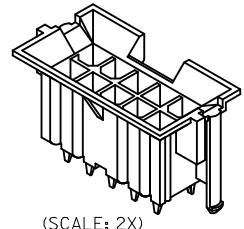
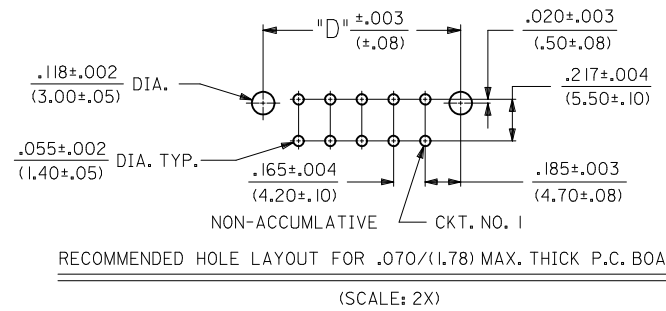


CIRCUIT SIZE	DIM. "A"	DIM. "B"	DIM. "C"	DIM. "D"	DIM. "E"
2	.520 (13.20)	—	.425 (10.80)	.370 (9.40)	.21 (5.4)
4	.685 (17.40)	.17 (4.2)	.590 (15.00)	.535 (13.60)	.38 (9.6)
6	.850 (21.60)	.33 (8.4)	.756 (19.20)	.701 (17.80)	.54 (13.8)
8	1.016 (25.80)	.50 (12.6)	.921 (23.40)	.866 (22.00)	.71 (18.0)
10	1.181 (30.00)	.66 (16.8)	1.087 (27.60)	1.031 (26.20)	.87 (22.2)
12	1.346 (34.20)	.83 (21.0)	1.252 (31.80)	1.197 (30.40)	1.04 (26.4)
14	1.512 (38.40)	.99 (25.2)	1.417 (36.00)	1.362 (34.60)	1.20 (30.6)
16	1.677 (42.60)	1.16 (29.4)	1.583 (40.20)	1.528 (38.80)	1.37 (34.8)
18	1.843 (46.80)	1.32 (33.6)	1.748 (44.40)	1.693 (43.00)	1.54 (39.0)
20	2.008 (51.00)	1.49 (37.8)	1.913 (48.60)	1.858 (47.20)	1.70 (43.2)
22	2.173 (55.20)	1.65 (42.0)	2.079 (52.80)	2.024 (51.40)	1.87 (47.4)
24	2.339 (59.40)	1.82 (46.2)	2.244 (57.00)	2.189 (55.60)	2.03 (51.6)



LEGEND:
A - 42440 - * * * *
BASE NUMBER — PLATING (SEE NOTE 2.)
CIRCUIT SIZE (02-24) — HOUSING MAT'L. & OPTIONS (SEE NOTE 1.)



6	Q
5	Q
4	Q
3	P1
2	P
1	Q
SHT	REV

--*22, --*42	42474--*21, 5556-PBGS*P	94V-0	PHOS. BRZ.	GOLD
--*12, --*32	42474--*11, 5556-PBGS*P	94V-2		
--*22, --*42, --*23, --*43	42474--*21, 5556-GS*P	94V-0	BRASS	GOLD
--*12, --*32, --*13, --*33	42474--*11, 5556-GS*P	94V-2		
--*21, --*41	42474--*21, 5556-PBS*P	94V-0	PHOS. BRZ.	TIN
--*11, --*31	42474--*11, 5556-PBS*P	94V-2		
--*21, --*41	42474--*21, 5556-S*P	94V-0	BRASS	TIN
--*11, --*31	42474--*11, 5556-S*P	94V-2		
--*22, --*42	A-42385--*D2, --*D4	94V-0	PHOS. BRZ.	GOLD
--*12, --*32	A-42385--*C2, --*C4	94V-2		
--*22, --*42, --*23, --*43	A-42385--*B2, --*B4	94V-0	BRASS	GOLD
--*12, --*32, --*13, --*33	A-42385--*A2, --*A4	94V-2		
--*21, --*41	A-42385--*D1	94V-0	PHOS. BRZ.	TIN
--*11, --*31	A-42385--*C1	94V-2		
--*21, --*41	A-42385--*B1	94V-0	BRASS	TIN
--*11, --*31	A-42385--*A1	94V-2		

VERT. HEADER A-42440	MATING CONNECTOR	HSG. MAT'L.	TERM. MAT'L.	PLATING
		MATING CONNECTOR FEATURES		

ADDED PART #S EC NO: UCP2010-0472 DRWN: JAGUILAR 2009/11/11 CHKD: BELL 2009/12/01 APPR: FSMITH 2009/12/01	QUALITY SYMBOLS ▽=0 ▽=0	GENERAL TOLERANCES (UNLESS SPECIFIED) <table border="1"> <tr><th>mm</th><th>INCH</th></tr> <tr><td>4 PLACES ± ---</td><td>± ---</td></tr> <tr><td>3 PLACES ± ---</td><td>± .010</td></tr> <tr><td>2 PLACES ± 0.25</td><td>± .015</td></tr> <tr><td>1 PLACE ± 0.38</td><td>± ---</td></tr> </table> ANGULAR ± 5°	mm	INCH	4 PLACES ± ---	± ---	3 PLACES ± ---	± .010	2 PLACES ± 0.25	± .015	1 PLACE ± 0.38	± ---	DIMENSION STYLE IN/MM	SCALE 1:1	DESIGN UNITS METRIC	THIRD ANGLE PROJECTION
			mm	INCH												
4 PLACES ± ---	± ---															
3 PLACES ± ---	± .010															
2 PLACES ± 0.25	± .015															
1 PLACE ± 0.38	± ---															
DRAWN BY GEP	DATE 1989/04/06	CHECKED BY RJF	DATE 1989/04/06	APPROVED BY RAS	DATE 1989/04/06	TITLE MINI-FIT B.M.I. VERTICAL HEADER ASSY WITH DRAIN HOLE OPTION MOLEX INCORPORATED										
DRAFT WHERE APPLICABLE MUST REMAIN WITHIN DIMENSIONS		MATERIAL NO. SEE CHART	DOCUMENT NO. SDA-42440-****	SHEET NO. 1 OF 6												

THIS DRAWING CONTAINS INFORMATION THAT IS PROPRIETARY TO MOLEX INCORPORATED AND SHOULD NOT BE USED WITHOUT WRITTEN PERMISSION

- NOTES:
- 1) MATERIAL:
 - HOUSING MATERIAL AND OPTIONS:
 - 1 = NYLON 6/6, UL 94V-2, COLOR: NATURAL, WITHOUT DRAIN HOLES
 - 2 = NYLON 6/6, UL 94V-0, COLOR: NATURAL, WITHOUT DRAIN HOLES
 - 3 = NYLON 6/6, UL 94V-2, COLOR: NATURAL, WITH DRAIN HOLES
 - 4 = NYLON 6/6, UL 94V-0, COLOR: NATURAL, WITH DRAIN HOLES
 - TERMINALS: BRASS
 - 2) TERMINAL PLATING:
 - S = .000100/(0.00254) MIN. BRIGHT TIN OVER .000050/(0.00127) MIN. NICKEL
 - *GS = .000030/(0.00076) MIN. SELECT GOLD AND .000100/(0.00254) MIN. SELECT MATTE TIN OVER .000050/(0.00127) MIN. NICKEL OVERALL
 - *GS3 = .000050/(0.00127) MIN. SELECT GOLD AND .000100/(0.00254) MIN. SELECT MATTE TIN OVER .000050/(0.00127) MIN. NICKEL OVERALL
 - *THE PRIMARY SHIPPING CARTON WILL BE LABELED "COMPLIANT TO RoHS DIRECTIVE 2002/95/EC AND ELV ANNEX II OF DIRECTIVE 200/53/EC"; CARTONS WITHOUT THIS LABEL MAY CONTAIN PRODUCT WITH TIN-LEAD PLATING.
 - 3) PRODUCT SPECIFICATION AND PROCESSING PARAMETERS: PS-5556-002
 - 4) PACKAGING: SEE CHARTS
 - 5) 6-24 CIRCUIT PARTS MATE WITH MINI-FIT JR. RECEPTACLES #5557 AND HEADERS #42385 AND #42474; 2 AND 4 CIRCUIT PARTS MATE WITH 42385 AND 42474 HEADERS ONLY.
 - 6) PART ALLOWS FOR UP TO .100/(2.54) MISALIGNMENT WITH MATING RECEPTACLE IN ANY DIRECTION. SEE MATING CONNECTOR DRAWINGS FOR SPECIFIC ALLOWANCES.
 - 7) CONNECTOR IS NOT DESIGNED FOR CURRENT SHARING.
 - 8) CONNECTOR ASSEMBLIES ARE NOT BE MATED OR UNMATED WHILE CIRCUITS ARE LIVE.
 - 9) OPTIONAL RIBS MAY BE FOUND ON PARTS MANUFACTURED AFTER 08/11/1997. RIB LOCATION IS DETERMINED BY MOLD DESIGN FOR MANUFACTURING EASE AND THE LOCATION DOES NOT AFFECT PART FUNCTION OR PERFORMANCE. LOCATION OF RIBS MAY VARY ON PARTS WITHIN MAUFACTURING LOT OR SHIPMENT. THIS DRAWING SHOWS TYPICAL RIB LOCATIONS.
 - 10) PARTS MANUFACTURED AFTER 8/15/1997 MAY HAVE REVISED LOCK PEG.
 - 11) PART CONFORMS TO CLASS "B" REQUIREMENTS OF COSMETIC SPECIFICATION PS-45499-002.

SEE SHEET ONE FC NO: UCP2007-2479 DRAWN:LSCHMIDT 2007/04/04 CHKD:JBELL 2007/04/11 APPR:FSM TH 2007/04/16 P1	QUALITY SYMBOLS ▽=0 ▽=0	GENERAL TOLERANCES (UNLESS SPECIFIED)		DIMENSION STYLE IN/MM		SCALE ---	DESIGN UNITS METRIC	THIRD ANGLE PROJECTION		
		4 PLACES ±--- ±---	3 PLACES ±--- ±---	2 PLACES ±--- ±---	1 PLACE ±--- ±---	ANGULAR ±---°	DRAWN BY GEP	DATE 1989/04/06	TITLE MINI-FIT B.M.I. VERTICAL HEADER ASSY WITH DRAIN HOLE OPTION	
		DRAFT WHERE APPLICABLE MUST REMAIN WITHIN DIMENSIONS		SEE CHART		APPROVED BY RAS		DATE 1989/04/06	MATERIAL NO. DOCUMENT NO. SDA-42440-****	
						SHEET NO. 3 OF 6				

13	12	11	10	9	8	7	6	5	4	3	2	1			
PLATING: TIN (SEE NOTE 2 OPTION 'S')				PLATING: TIN (SEE NOTE 2 OPTION 'S')				PLATING: 30 M.I. SELECT GOLD (SEE NOTE 2 OPTION 'GS')				PLATING: 30 M.I. SELECT GOLD (SEE NOTE 2 OPTION 'GS')			
DRAINS: WITHOUT DRAIN HOLES				DRAINS: WITHOUT DRAIN HOLES				DRAINS: WITHOUT DRAIN HOLES				DRAINS: WITHOUT DRAIN HOLES			
PEGS: WITH PEGS				PEGS: WITH PEGS				PEGS: WITH PEGS				PEGS: WITH PEGS			
MAT'L: 94V-2 [NATURAL]				MAT'L: 94V-0 [NATURAL]				MAT'L: 94V-2 [NATURAL]				MAT'L: 94V-0 [NATURAL]			
PACKAGING: TRAY PER PK-42440-001				PACKAGING: TRAY PER PK-42440-001				PACKAGING: TRAY PER PK-42440-001				PACKAGING: TRAY PER PK-42440-001			
PART NO.	ENG NO.		CKTS	PART NO.	ENG NO.		CKTS	PART NO.	ENG NO.		CKTS	PART NO.	ENG NO.		CKTS
NO EDP	A-42440-021I	-	2	NO EDP	A-42440-022I	-	2	NO EDP	A-42440-0212	-	2	NO EDP	A-42440-0222	-	2
15-24-6041	A-42440-041I	-	4	15-24-6042	A-42440-042I	-	4	15-28-6041	A-42440-0412	-	4	15-28-6042	A-42440-0422	-	4
15-24-6061	A-42440-061I	-	6	NO EDP	A-42440-062I	-	6	15-28-6061	A-42440-0612	-	6	NO EDP	A-42440-0622	-	6
NO EDP	A-42440-081I	-	8	NO EDP	A-42440-082I	-	8	NO EDP	A-42440-0812	-	8	NO EDP	A-42440-0822	-	8
15-24-6101	A-42440-101I	-	10	15-24-6102	A-42440-102I	-	10	15-28-6101	A-42440-1012	-	10	15-28-6102	A-42440-1022	-	10
15-24-6121	A-42440-121I	NOT TOOLED	12	15-24-6122	A-42440-122I	NOT TOOLED	12	15-28-6121	A-42440-1212	NOT TOOLED	12	15-28-6122	A-42440-1222	NOT TOOLED	12
15-24-6141	A-42440-141I	-	14	15-24-6142	A-42440-142I	-	14	15-28-6141	A-42440-1412	-	14	15-28-6142	A-42440-1422	-	14
15-24-6161	A-42440-161I	-	16	15-24-6162	A-42440-162I	-	16	15-28-6161	A-42440-1612	-	16	NO EDP	A-42440-1622	-	16
15-24-6181	A-42440-181I	-	18	15-24-6182	A-42440-182I	-	18	15-28-6181	A-42440-1812	-	18	15-28-6182	A-42440-1822	-	18
NO EDP	A-42440-201I	-	20	NO EDP	A-42440-202I	-	20	NO EDP	A-42440-2012	-	20	NO EDP	A-42440-2022	-	20
NO EDP	A-42440-221I	-	22	NO EDP	A-42440-222I	-	22	NO EDP	A-42440-2212	-	22	NO EDP	A-42440-2222	-	22
15-24-6241	A-42440-241I	-	24	15-24-6242	A-42440-242I	-	24	15-28-6241	A-42440-2412	-	24	15-28-6242	A-42440-2422	-	24
	-	-			-	-			-	-			-	-	
	-	-			-	-			-	-			-	-	

PLATING: TIN (SEE NOTE 2 OPTION 'S')				PLATING: TIN (SEE NOTE 2 OPTION 'S')				PLATING: 30 M.I. SELECT GOLD (SEE NOTE 2 OPTION 'GS')				PLATING: 30 M.I. SELECT GOLD (SEE NOTE 2 OPTION 'GS')			
DRAINS: WITH DRAIN HOLES				DRAINS: WITH DRAIN HOLES				DRAINS: WITH DRAIN HOLES				DRAINS: WITH DRAIN HOLES			
PEGS: WITH PEGS				PEGS: WITH PEGS				PEGS: WITH PEGS				PEGS: WITH PEGS			
MAT'L: 94V-2 [NATURAL]				MAT'L: 94V-0 [NATURAL]				MAT'L: 94V-2 [NATURAL]				MAT'L: 94V-0 [NATURAL]			
PACKAGING: TRAY PER PK-42440-001				PACKAGING: TRAY PER PK-42440-001				PACKAGING: TRAY PER PK-42440-001				PACKAGING: TRAY PER PK-42440-001			
PART NO.	ENG NO.		CKTS	PART NO.	ENG NO.		CKTS	PART NO.	ENG NO.		CKTS	PART NO.	ENG NO.		CKTS
NO EDP	A-42440-023I	-	2	NO EDP	A-42440-024I	-	2	NO EDP	A-42440-0232	-	2	NO EDP	A-42440-0242	-	2
15-24-6046	A-42440-043I	-	4	15-24-6047	A-42440-044I	-	4	15-28-6046	A-42440-0432	-	4	15-28-6047	A-42440-0442	-	4
NO EDP	A-42440-063I	-	6	NO EDP	A-42440-064I	-	6	NO EDP	A-42440-0632	-	6	NO EDP	A-42440-0642	-	6
NO EDP	A-42440-083I	-	8	NO EDP	A-42440-084I	-	8	NO EDP	A-42440-0832	-	8	NO EDP	A-42440-0842	-	8
15-24-6106	A-42440-103I	-	10	15-24-6107	A-42440-104I	-	10	15-28-6106	A-42440-1032	-	10	15-28-6107	A-42440-1042	-	10
NO EDP	A-42440-123I	-	12	NO EDP	A-42440-124I	-	12	NO EDP	A-42440-1232	-	12	NO EDP	A-42440-1242	-	12
15-24-6146	A-42440-143I	-	14	15-24-6147	A-42440-144I	-	14	15-28-6146	A-42440-1432	-	14	15-28-6147	A-42440-1442	-	14
NO EDP	A-42440-163I	-	16	NO EDP	A-42440-164I	-	16	NO EDP	A-42440-1632	-	16	NO EDP	A-42440-1642	-	16
15-24-6186	A-42440-183I	-	18	15-24-6187	A-42440-184I	-	18	15-28-6186	A-42440-1832	-	18	15-28-6187	A-42440-1842	-	18
NO EDP	A-42440-203I	-	20	NO EDP	A-42440-204I	-	20	NO EDP	A-42440-2032	-	20	NO EDP	A-42440-2042	-	20
NO EDP	A-42440-223I	-	22	NO EDP	A-42440-224I	-	22	NO EDP	A-42440-2232	-	22	NO EDP	A-42440-2242	-	22
15-24-6246	A-42440-243I	-	24	15-24-6247	A-42440-244I	-	24	15-28-6246	A-42440-2432	-	24	15-28-6247	A-42440-2442	-	24
	-	-			-	-			-	-			-	-	
	-	-			-	-			-	-			-	-	

SEE SHEET 1 EC NO: UCP2010-0472 DRWN: JAGUILAR 2009/11/11 CHKD: JELL 2009/12/01 APPR: FSMITH 2009/12/01	DESCRIPTION REV	QUALITY SYMBOLS ▽=0 ▽=0	GENERAL TOLERANCES (UNLESS SPECIFIED) <table border="1"> <tr> <th></th> <th>mm</th> <th>INCH</th> </tr> <tr> <td>4 PLACES</td> <td>± ---</td> <td>± ---</td> </tr> <tr> <td>3 PLACES</td> <td>± ---</td> <td>± ---</td> </tr> <tr> <td>2 PLACES</td> <td>± ---</td> <td>± ---</td> </tr> <tr> <td>1 PLACE</td> <td>± ---</td> <td>± ---</td> </tr> <tr> <td colspan="3">ANGULAR ± ---°</td> </tr> </table>		mm	INCH	4 PLACES	± ---	± ---	3 PLACES	± ---	± ---	2 PLACES	± ---	± ---	1 PLACE	± ---	± ---	ANGULAR ± ---°			DIMENSION STYLE IN/MM DRAWN BY DATE GEP 1995/03/03 CHECKED BY DATE RJF 1995/03/03 APPROVED BY DATE RJF 1995/03/03	SCALE 1:1 DESIGN UNITS METRIC THIRD ANGLE PROJECTION	TITLE MINI-FIT B.M.I. VERTICAL HEADER ASSY WITH DRAIN HOLE OPTION MOLEX INCORPORATED MATERIAL NO. SEE CHART DOCUMENT NO. SDA-42440-****	SHEET NO. 4 OF 6
			mm	INCH																					
		4 PLACES	± ---	± ---																					
		3 PLACES	± ---	± ---																					
2 PLACES	± ---	± ---																							
1 PLACE	± ---	± ---																							
ANGULAR ± ---°																									
DRAFT WHERE APPLICABLE MUST REMAIN WITHIN DIMENSIONS			THIS DRAWING CONTAINS INFORMATION THAT IS PROPRIETARY TO MOLEX INCORPORATED AND SHOULD NOT BE USED WITHOUT WRITTEN PERMISSION																						

13	12	11	10	9	8	7	6	5	4	3	2	1			
PLATING: 50 M.I. SELECT GOLD (SEE NOTE 2 OPTION *GS3*)		PLATING: 50 M.I. SELECT GOLD (SEE NOTE 2 OPTION *GS3*)		PLATING:		PLATING:		PLATING:		PLATING:					
DRAINS: WITHOUT DRAIN HOLES		DRAINS: WITHOUT DRAIN HOLES		DRAINS:		DRAINS:		DRAINS:		DRAINS:					
PEGS: WITH PEGS		PEGS: WITH PEGS		PEGS:		PEGS:		PEGS:		PEGS:					
MAT'L: 94V-2 [NATURAL]		MAT'L: 94V-0 [NATURAL]		MAT'L:		MAT'L:		MAT'L:		MAT'L:					
PACKAGING: TRAY PER PK-42440-001		PACKAGING: TRAY PER PK-42440-001		PACKAGING:		PACKAGING:		PACKAGING:		PACKAGING:					
PART NO.	ENG NO.		CKTS	PART NO.	ENG NO.		CKTS	PART NO.	ENG NO.		CKTS	PART NO.	ENG NO.		CKTS
NO EDP	A-42440-0213	-	2	NO EDP	A-42440-0223	-	2	NO EDP	-	-	2	NO EDP	-	-	2
NO EDP	A-42440-0413	-	4	NO EDP	A-42440-0423	-	4	NO EDP	-	-	4	NO EDP	-	-	4
NO EDP	A-42440-0613	-	6	NO EDP	A-42440-0623	-	6	NO EDP	-	-	6	NO EDP	-	-	6
NO EDP	A-42440-0813	-	8	NO EDP	A-42440-0823	-	8	NO EDP	-	-	8	NO EDP	-	-	8
NO EDP	A-42440-1013	-	10	NO EDP	A-42440-1023	-	10	NO EDP	-	-	10	NO EDP	-	-	10
NO EDP	A-42440-1213	-	12	NO EDP	A-42440-1223	-	12	NO EDP	-	-	12	NO EDP	-	-	12
NO EDP	A-42440-1413	-	14	NO EDP	A-42440-1423	-	14	NO EDP	-	-	14	NO EDP	-	-	14
NO EDP	A-42440-1613	-	16	NO EDP	A-42440-1623	-	16	NO EDP	-	-	16	NO EDP	-	-	16
NO EDP	A-42440-1813	-	18	NO EDP	A-42440-1823	-	18	NO EDP	-	-	18	NO EDP	-	-	18
NO EDP	A-42440-2013	-	20	NO EDP	A-42440-2023	-	20	NO EDP	-	-	20	NO EDP	-	-	20
NO EDP	A-42440-2213	-	22	NO EDP	A-42440-2223	-	22	NO EDP	-	-	22	NO EDP	-	-	22
NO EDP	A-42440-2413	-	24	NO EDP	A-42440-2423	-	24	NO EDP	-	-	24	NO EDP	-	-	24
	-	-	-		-	-	-		-	-	-		-	-	-
	-	-	-		-	-	-		-	-	-		-	-	-

PLATING: TIN (SEE NOTE 2 OPTION *S')		PLATING: TIN (SEE NOTE 2 OPTION *S')		PLATING: 30 M.I. SELECT GOLD (SEE NOTE 2 OPTION *GS')		PLATING: 30 M.I. SELECT GOLD (SEE NOTE 2 OPTION *GS')					
DRAINS: WITHOUT DRAIN HOLES		DRAINS: WITHOUT DRAIN HOLES		DRAINS: WITHOUT DRAIN HOLES		DRAINS: WITHOUT DRAIN HOLES					
PEGS: WITH PEGS		PEGS: WITH PEGS		PEGS: WITH PEGS		PEGS: WITH PEGS					
MAT'L: 94V-2 (NATURAL)		MAT'L: 94V-0 (NATURAL)		MAT'L: 94V-2 (NATURAL)		MAT'L: 94V-0 (NATURAL)					
PACKAGING: TUBE PER PK-40873-0151		PACKAGING: TUBE PER PK-40873-0151		PACKAGING: TUBE PER PK-40873-0151		PACKAGING: TUBE PER PK-40873-0151					
ITEM NO.		CKTS	ITEM NO.		CKTS	ITEM NO.		CKTS	ITEM NO.		CKTS
-		2	-		2	-		2	-		2
42440-3002		4	42440-3014		4	42440-3026		4	42440-3038		4
42440-3003		6	-		6	42440-3027		6	-		6
-		8	-		8	-		8	-		8
42440-3005		10	42440-3017		10	42440-3029		10	42440-3041		10
-		12	-		12	-		12	-		12
42440-3007		14	42440-3019		14	42440-3031		14	42440-3043		14
-		16	-		16	-		16	-		16
42440-3009		18	42440-3021		18	42440-3033		18	42440-3045		18
-		20	-		20	-		20	-		20
-		22	-		22	-		22	-		22
42440-3012		24	42440-3024		24	42440-3036		24	42440-3048		24

SEE SHEET 1 EC NO: UCP2010-0472 DRWN: JAGUILAR 2009/11/11 CHKD: J.BELL 2009/12/01 APPR: F.S.MITH 2009/12/01	QUALITY SYMBOLS =0 =0	GENERAL TOLERANCES (UNLESS SPECIFIED)		DIMENSION STYLE IN/MM		SCALE 1:1	DESIGN UNITS METRIC	THIRD ANGLE PROJECTION																	
		<table border="1"> <thead> <tr> <th></th> <th>mm</th> <th>INCH</th> </tr> </thead> <tbody> <tr> <td>4 PLACES</td> <td>± ---</td> <td>± ---</td> </tr> <tr> <td>3 PLACES</td> <td>± ---</td> <td>± ---</td> </tr> <tr> <td>2 PLACES</td> <td>± ---</td> <td>± ---</td> </tr> <tr> <td>1 PLACE</td> <td>± ---</td> <td>± ---</td> </tr> </tbody> </table>			mm	INCH	4 PLACES	± ---	± ---	3 PLACES	± ---	± ---	2 PLACES	± ---	± ---	1 PLACE	± ---	± ---	DRAWN BY ERH		DATE 2000/02/23	MINI-FIT B.M.I. VERTICAL HEADER ASSY WITH DRAIN HOLE OPTION MOLEX INCORPORATED MATERIAL NO. SEE CHART DOCUMENT NO. SDA-42440-**** SHEET NO. 5 OF 6			
			mm	INCH																					
		4 PLACES	± ---	± ---																					
3 PLACES	± ---	± ---																							
2 PLACES	± ---	± ---																							
1 PLACE	± ---	± ---																							
ANGULAR ±1/2°		CHECKED BY MB		DATE 2000/02/23																					
DRAFT WHERE APPLICABLE MUST REMAIN WITHIN DIMENSIONS		APPROVED BY RE		DATE 2000/02/23																					
SIZE		THIS DRAWING CONTAINS INFORMATION THAT IS PROPRIETARY TO MOLEX INCORPORATED AND SHOULD NOT BE USED WITHOUT WRITTEN PERMISSION																							

	13	12	11	10	9	8	7	6	5	4	3	2	1
J	PLATING:	TIN (SEE NOTE 2 OPTION 'S')	PLATING:	TIN (SEE NOTE 2 OPTION 'S')	PLATING:	30 M.I. SELECT GOLD (SEE NOTE 2 OPTION 'GS')	PLATING:	30 M.I. SELECT GOLD (SEE NOTE 2 OPTION 'GS')					
	DRAINS:	WITH DRAIN HOLES	DRAINS:	WITH DRAIN HOLES	DRAINS:	WITH DRAIN HOLES	DRAINS:	WITH DRAIN HOLES					
	PEGS:	WITH PEGS	PEGS:	WITH PEGS	PEGS:	WITH PEGS	PEGS:	WITH PEGS					
	MAT'L:	94V-2 [NATURAL]	MAT'L:	94V-0 [NATURAL]	MAT'L:	94V-2 [NATURAL]	MAT'L:	94V-0 [NATURAL]					
	PACKAGING:	TUBE PER PK-40873-0151	PACKAGING:	TUBE PER PK-40873-0151	PACKAGING:	TUBE PER PK-40873-0151	PACKAGING:	TUBE PER PK-40873-0151					
I	ITEM NO.		CKTS	ITEM NO.		CKTS	ITEM NO.		CKTS	ITEM NO.		CKTS	
	-	-	2	-	-	2	-	-	2	-	-	2	
	42440-3049	-	4	42440-3061	-	4	42440-3073	-	4	42440-3085	-	4	
	-	-	6	-	-	6	-	-	6	-	-	6	
	-	-	8	-	-	8	-	-	8	-	-	8	
	42440-3052	-	10	42440-3064	-	10	42440-3076	-	10	42440-3088	-	10	
	-	-	12	-	-	12	-	-	12	-	-	12	
	42440-3054	-	14	42440-3066	-	14	42440-3078	-	14	42440-3090	-	14	
	-	-	16	-	-	16	-	-	16	-	-	16	
H	42440-3056	-	18	42440-3068	-	18	42440-3080	-	18	42440-3092	-	18	
	-	-	20	-	-	20	-	-	20	-	-	20	
	-	-	22	-	-	22	-	-	22	-	-	22	
	42440-3059	-	24	42440-3071	-	24	42440-3083	-	24	42440-3095	-	24	

G	PLATING:	50 M.I. SELECT GOLD (SEE NOTE 2 OPTION 'GS3')	PLATING:	50 M.I. SELECT GOLD (SEE NOTE 2 OPTION 'GS3')	PLATING:	50 M.I. SELECT GOLD (SEE NOTE 2 OPTION 'GS3')	PLATING:	50 M.I. SELECT GOLD (SEE NOTE 2 OPTION 'GS3')				
	DRAINS:	WITHOUT DRAIN HOLES	DRAINS:	WITHOUT DRAIN HOLES	DRAINS:	WITH DRAIN HOLES	DRAINS:	WITH DRAIN HOLES				
	PEGS:	WITH PEGS	PEGS:	WITH PEGS	PEGS:	WITH PEGS	PEGS:	WITH PEGS				
	MAT'L:	94V-2 [NATURAL]	MAT'L:	94V-0 [NATURAL]	MAT'L:	94V-2 [NATURAL]	MAT'L:	94V-0 [NATURAL]				
	PACKAGING:	TUBE PER PK-40873-0151	PACKAGING:	TUBE PER PK-40873-0151	PACKAGING:	TUBE PER PK-40873-0151	PACKAGING:	TUBE PER PK-40873-0151				
F	ITEM NO.		CKTS	ITEM NO.		CKTS	ITEM NO.		CKTS	ITEM NO.		CKTS
	-	-	2	-	-	2	-	-	2	-	-	2
	-	-	4	-	-	4	-	-	4	-	-	4
	-	-	6	-	-	6	-	-	6	-	-	6
	-	-	8	-	-	8	-	-	8	-	-	8
	-	-	10	-	-	10	-	-	10	-	-	10
	-	-	12	-	-	12	-	-	12	-	-	12
E	-	-	14	-	-	14	-	-	14	-	-	14
	-	-	16	-	-	16	-	-	16	-	-	16
	-	-	18	-	-	18	-	-	18	-	-	18
	-	-	20	-	-	20	-	-	20	-	-	20
	-	-	22	-	-	22	-	-	22	-	-	22
	-	-	24	-	-	24	-	-	24	-	-	24

A	STANDARDIZE NOTES EC NO: UCP2010-0472 DRWN: JAGUILAR 2009/11/11 CHKD: JHELL 2009/12/01 APPR: FSMITH 2009/12/01	QUALITY SYMBOLS ▽=0 ▽=0	GENERAL TOLERANCES (UNLESS SPECIFIED) mm INCH 4 PLACES ± --- ± --- 3 PLACES ± --- ± --- 2 PLACES ± --- ± --- 1 PLACE ± --- ± --- ANGULAR ±1/2°	DIMENSION STYLE IN/MM DRAWN BY DATE ERH 2000/02/23 CHECKED BY DATE MB 2000/02/23 APPROVED BY DATE RE 2000/02/23	SCALE --- DESIGN UNITS METRIC	THIRD ANGLE PROJECTION	TITLE MINI-FIT B.M.I. VERTICAL HEADER ASSY WITH DRAIN HOLE OPTION	
							MATERIAL NO. SEE CHART	
							DOCUMENT NO. SDA-42440-****	
							SHEET NO. 6 OF 6	
DRAFT WHERE APPLICABLE MUST REMAIN WITHIN DIMENSIONS							THIS DRAWING CONTAINS INFORMATION THAT IS PROPRIETARY TO MOLEX INCORPORATED AND SHOULD NOT BE USED WITHOUT WRITTEN PERMISSION	