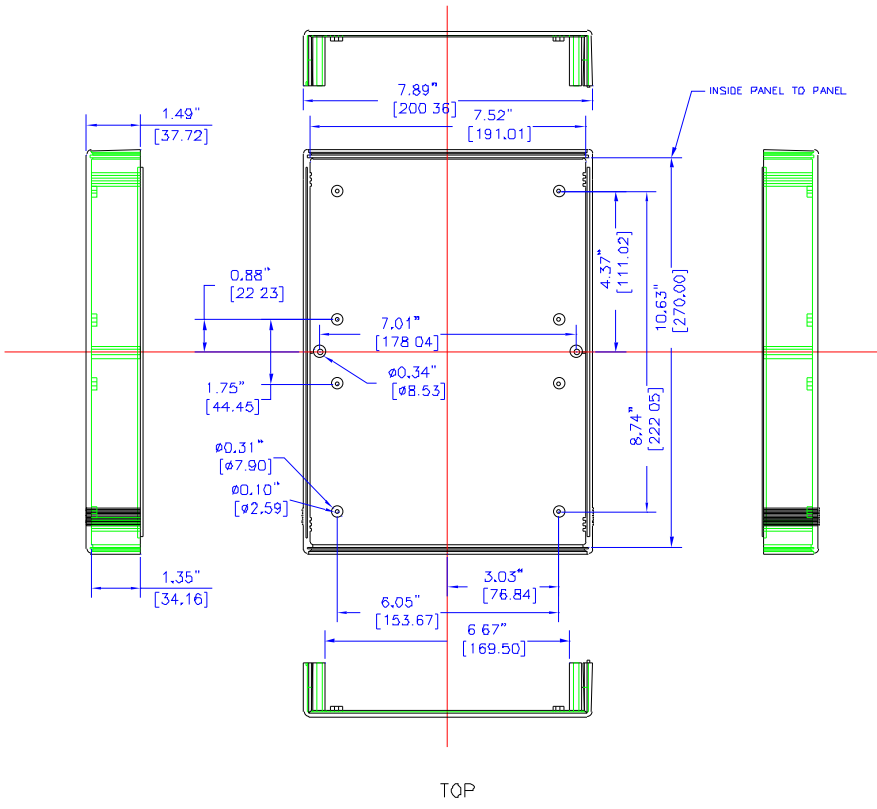
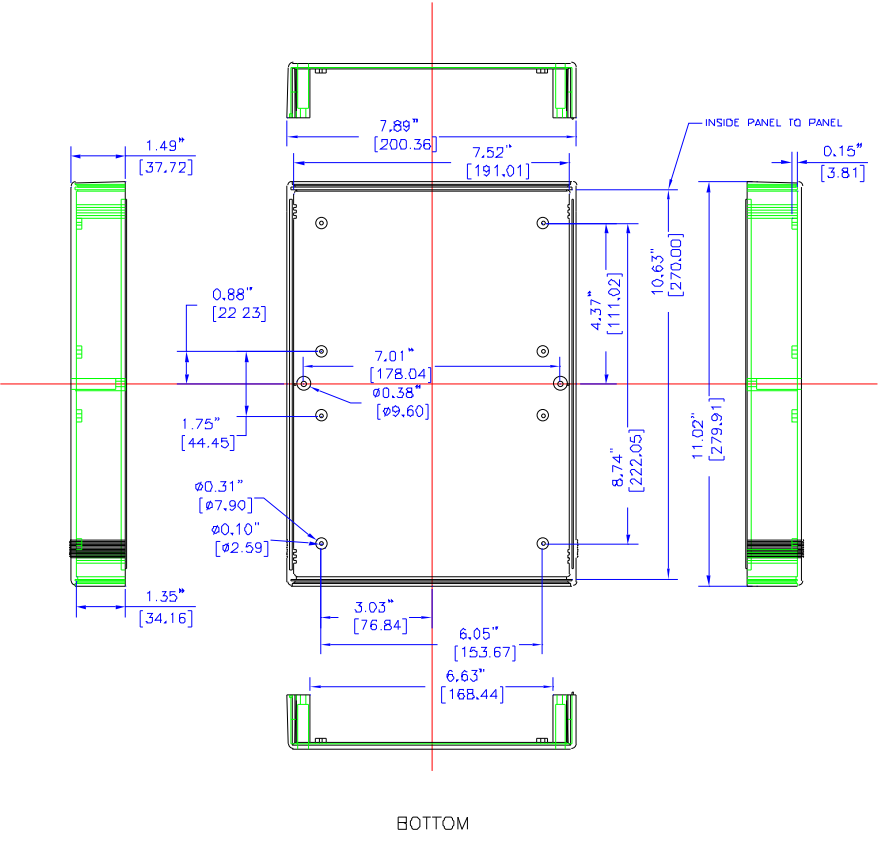
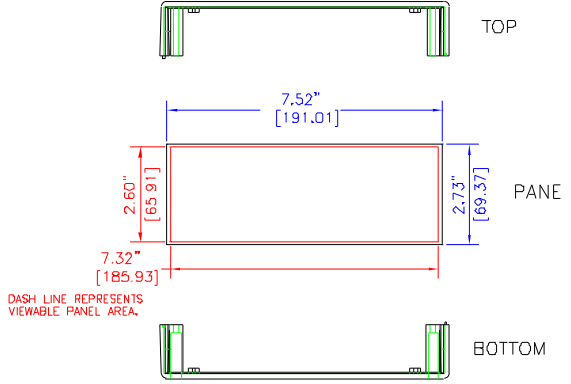


NOTES

MATERIAL: MOLDED USING EITHER FLAME RETARDANT ABS PLASTIC OR POLYSTYRENE
 PARTS: COMES WITH 2 0.064" BRUSHED ALUMINUM PANELS, AND 4 RUBBER FEET. ABS VERSION COMES WITH M3 0.5 X 10MM PHILLIPS MACHINE SCREWS THREADED INTO BRASS INSERTS. STYRENE COMES WITH #4 X 5/8" SELF TAPPING SCREWS.
 COLOR: CHOICE OF BLACK OR GRAY.
 OPTIONS: PLASTIC FRONT & REAR PANELS. EMI/RFI SHIELDING.



UNLESS OTHERWISE SPECIFIED
 DIMENSIONS ARE IN INCHES
 X +/- .1
 XX +/- .06
 XXX +/- .015
 CUTS +/- .005
 ANGLES +/- .5 DEG.
 NOTICE
 HAMMOND HAS NO PROPRIETARY RIGHTS IN THE MATERIAL OR THIS DRAWING. IT IS INTENDED TO BE USED AS A REFERENCE FOR ENGINEERING INFORMATION ONLY. THIS INFORMATION MAY NOT BE USED TO MANUFACTURE PRODUCT WITHOUT WRITTEN PERMISSION FROM HAMMOND MANUFACTURING.

HAMMOND MANUFACTURING

WEB WWW.HAMMONDMFG.COM

TITLE		HAMMOND 1598 SERIES INSTRUMENT ENCLOSURE	
DRAWN BY	MJM	DATE	07/12/00
SCALE		PAGE	1 OF 1
PART NUMBER	1598J		