

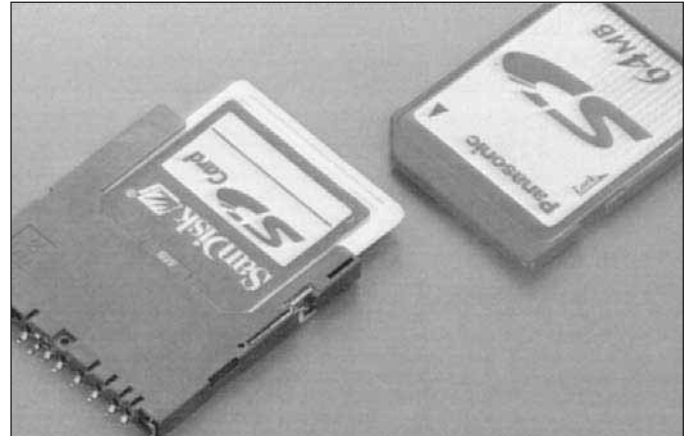
Features/Benefits

SERIES 5638

SD (Secure Digital) Memory Card technology is emerging as the next industry standard for removable flash memory and input/output devices. AVX has developed a complete range of top and bottom mount connectors with and without ejector features for such applications as MP3 Players, PDAs, Cellular Phones, Digital Cameras, Digital Camcorder, etc.

FEATURES

- Conforms to SDA (Secure Digital Association) requirements
- Low profile 2.9mm height
- Integral guide rails
- Location boss's and solder tabs
- Normal and reverse keying
- Card detection feature
- Accepts both SD and Multimedia Cards
- Tape and reel packaging
- Mating cycles 10,000



ELECTRICAL CHARACTERISTICS

Current Rating: 0.5A
 Voltage Rating: 5V
 Insulation Resistance: 1000M Ω min.
 Contact Resistance: 40m Ω max.
 DW Voltage: AC 500V

CLIMATIC CHARACTERISTICS

Operating Temperature: -25°C to +90°C

PRODUCT SELECTION GUIDE

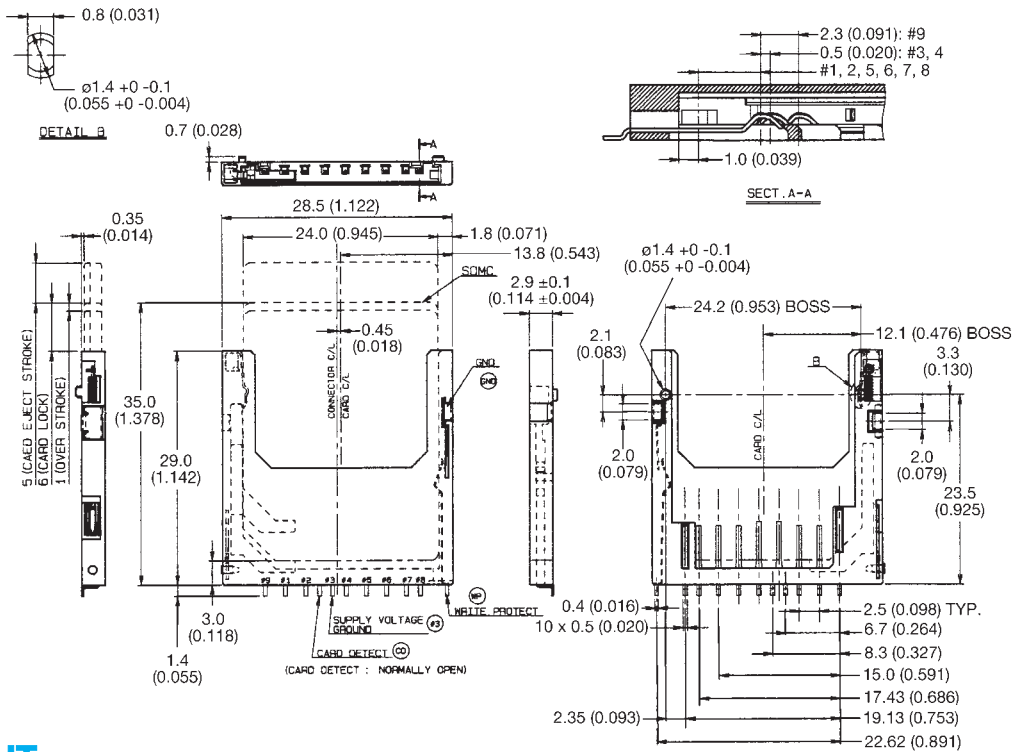
Keying	PCB Mounting	Height	Ejector Style	How To Order	Page
Normal	Top	2.9mm	Push/Push Ejector	14 5638 009 511 862	39
Reverse	Bottom	2.9mm	Push/Push Ejector	14 5638 109 511 862	40
Normal	Top	2.9mm	Without Ejector	14 5638 009 211 862	41
Reverse	Bottom	2.9mm	Without Ejector	14 5638 109 211 862	42

Secure Digital Memory Card Connectors

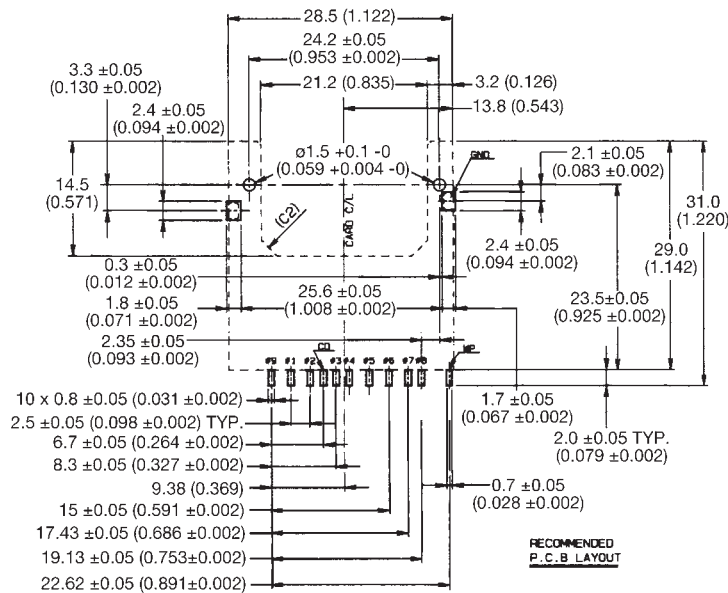


Series 5638 Spring Eject Type

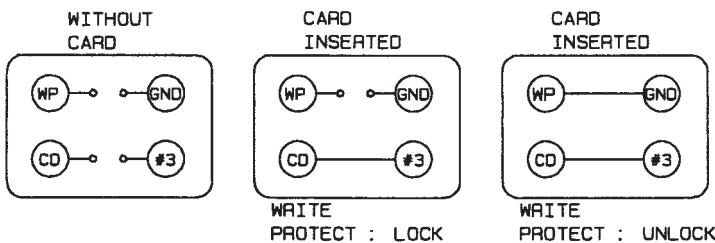
NORMAL



PCB LAYOUT



CIRCUIT



HOW TO ORDER

14 5638 009 511 862

250 pieces per Tape and Reel

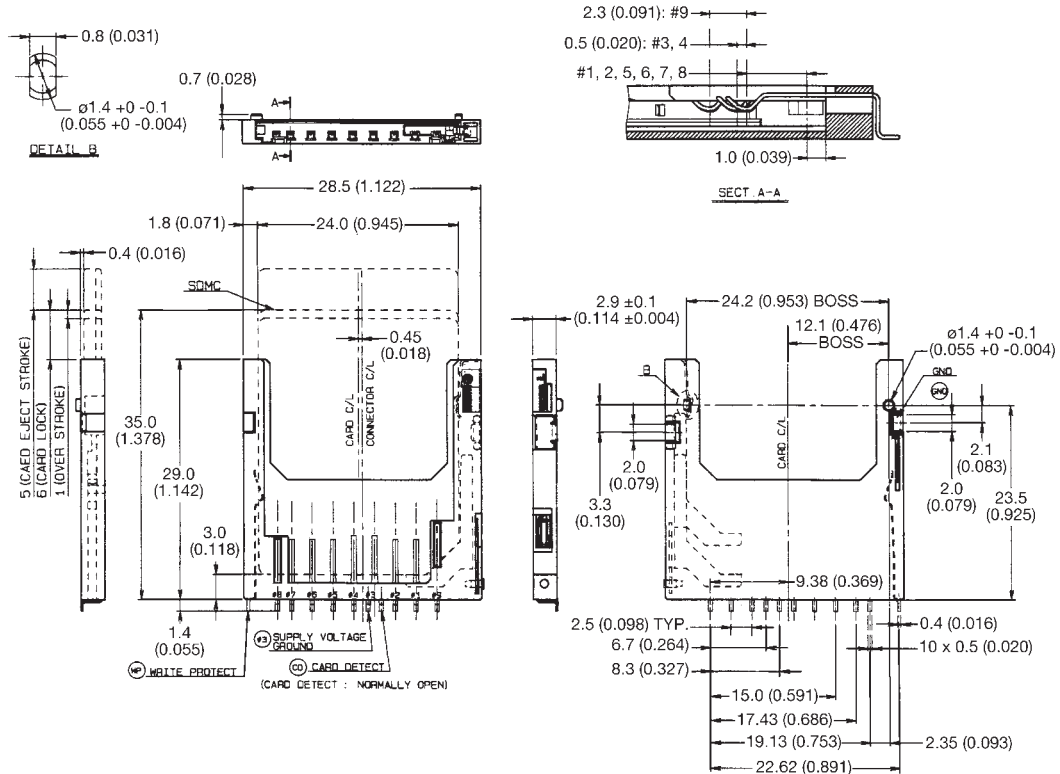


Secure Digital Memory Card Connectors

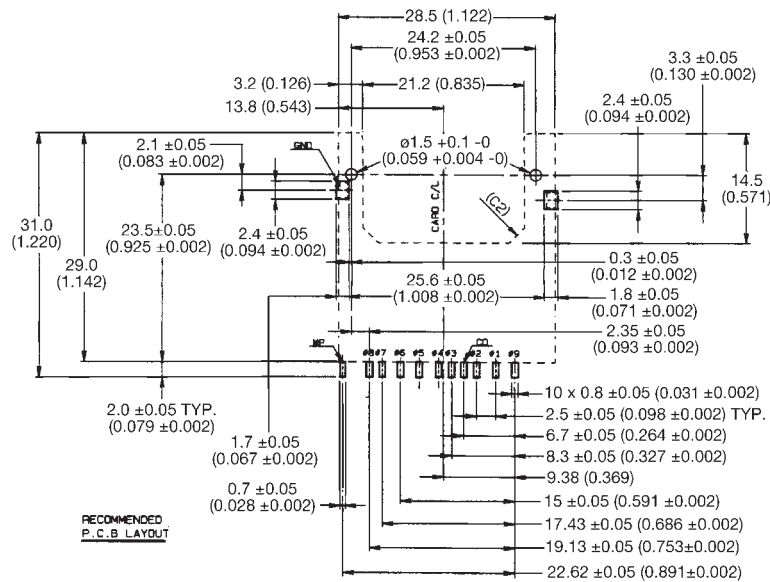


Series 5638 Spring Eject Type

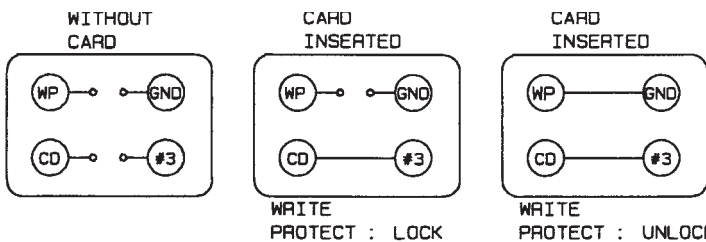
REVERSE



PCB LAYOUT



CIRCUIT



HOW TO ORDER

14 5638 109 511 862

250 pieces per Tape and Reel

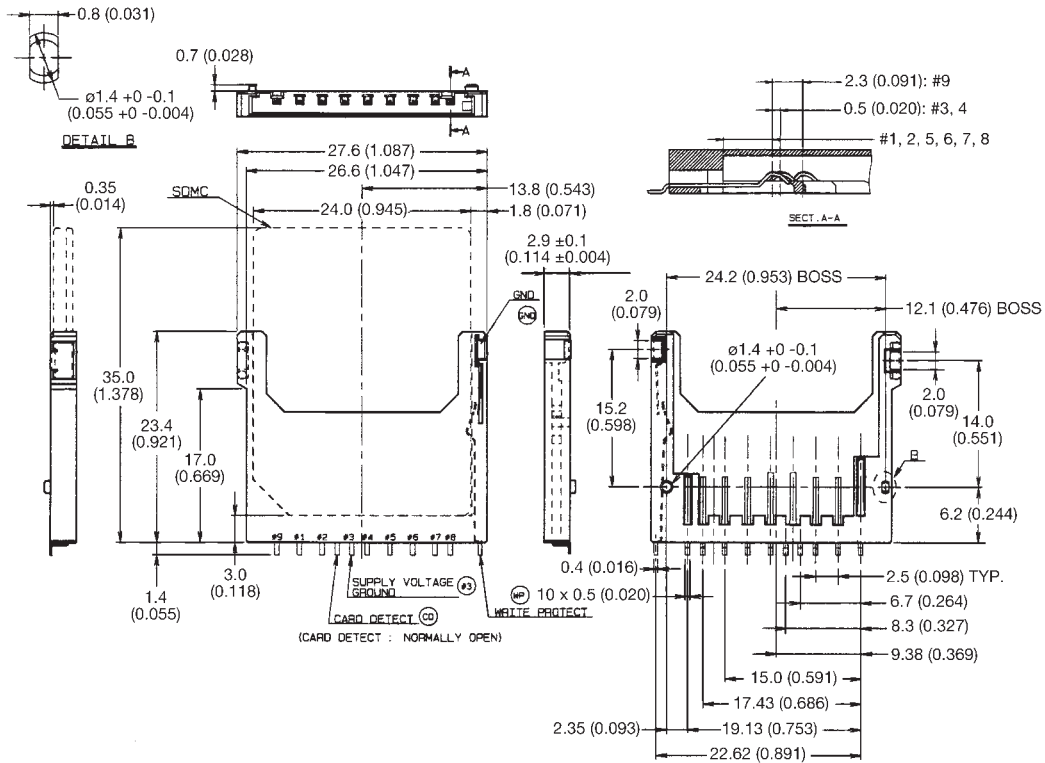


Secure Digital Memory Card Connectors

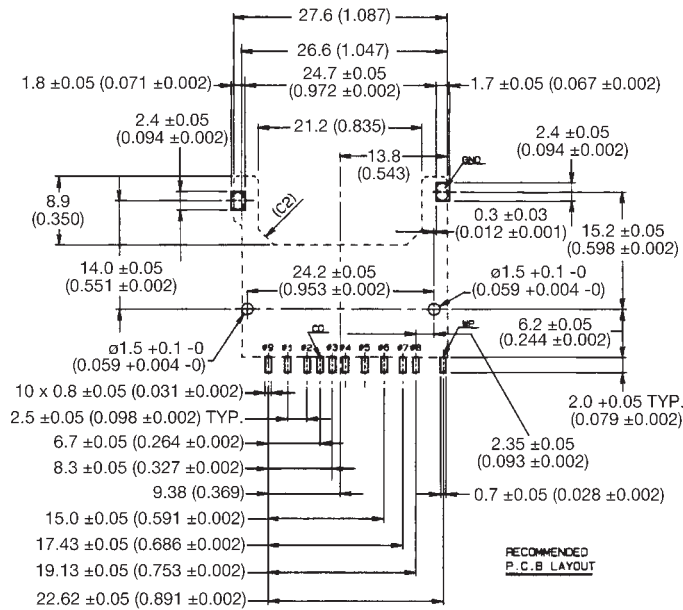


Series 5638 Without Eject Type

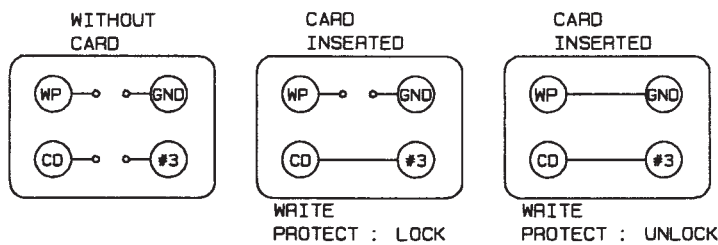
NORMAL



PCB LAYOUT



CIRCUIT



HOW TO ORDER

14 5638 009 211 862

250 pieces per Tape and Reel

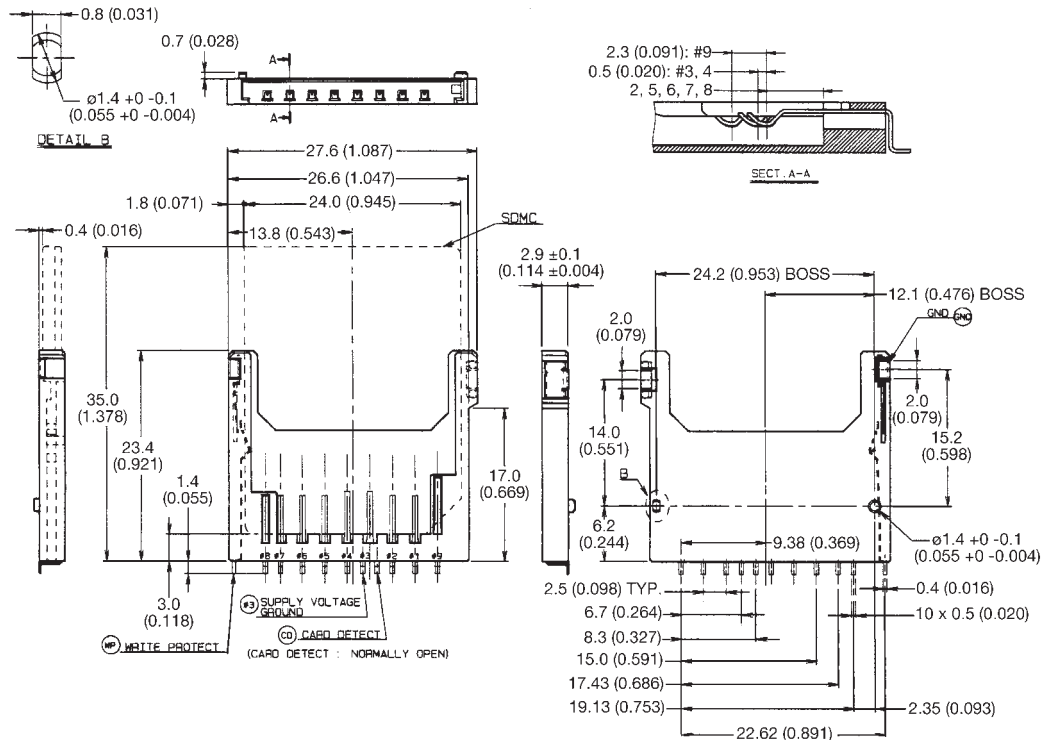


Secure Digital Memory Card Connectors

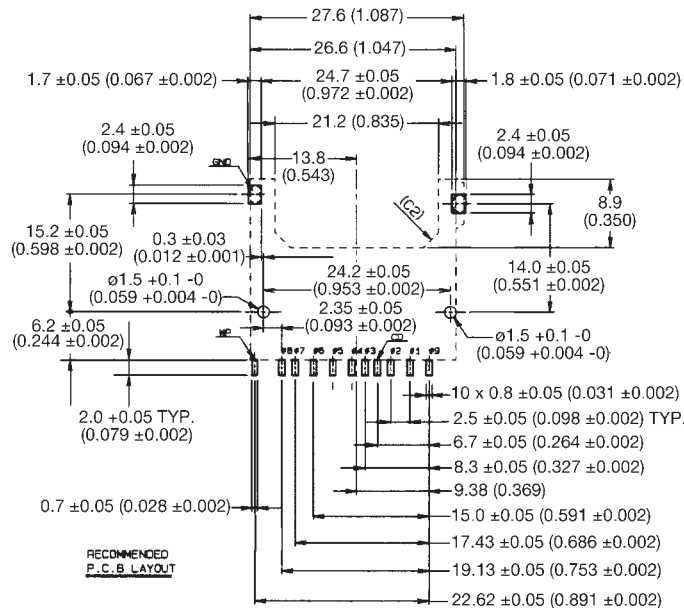


Series 5638 Without Eject Type

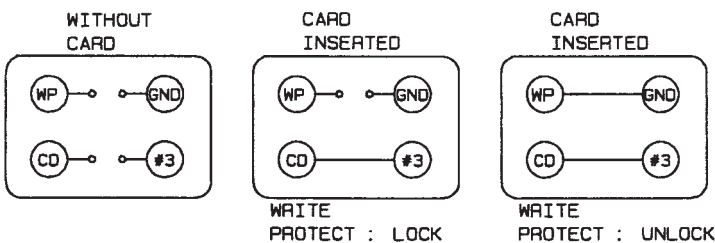
REVERSE



PCB LAYOUT



CIRCUIT



HOW TO ORDER

14 5638 109 211 862

250 pieces per Tape and Reel

