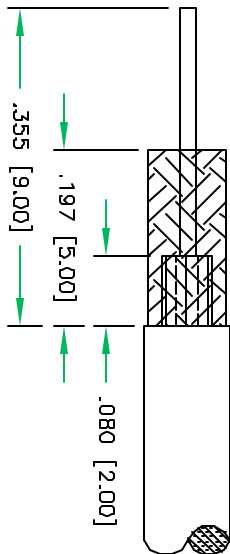
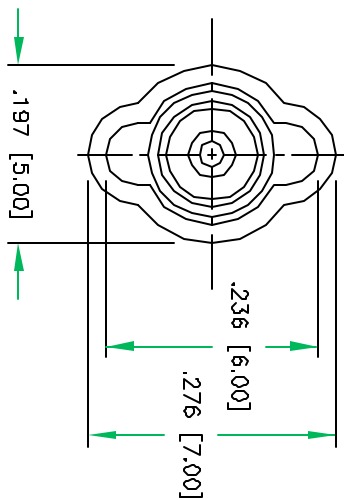
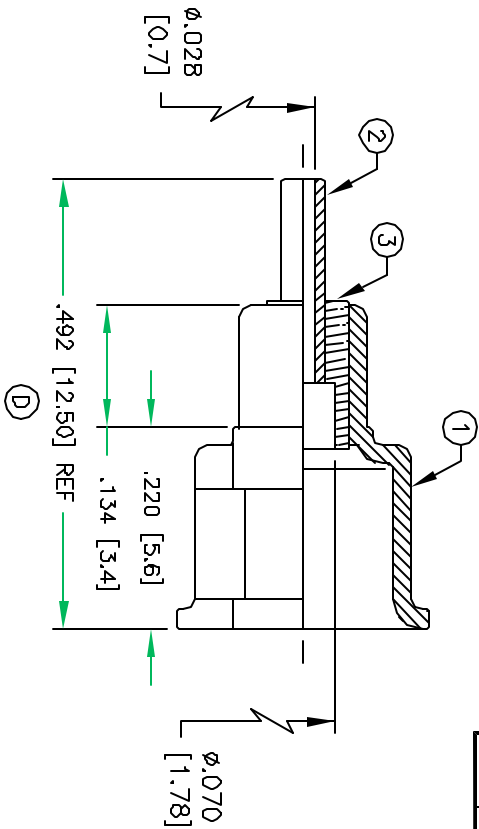
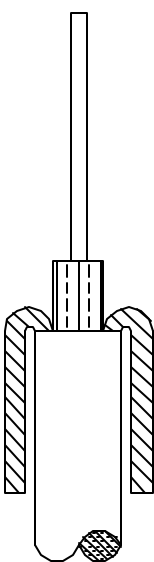


© COPYRIGHT 1998 BY SPC TECHNOLOGY. ALL RIGHTS RESERVED. NO PORTION OF THIS PUBLICATION, WHETHER IN WHOLE OR IN PART CAN BE REPRODUCED WITHOUT THE EXPRESS WRITTEN CONSENT OF SPC TECHNOLOGY.

REVISIONS		DOC. NO. SPC-FD05, Total Pages: 2						
DWG #	REV	DESCRIPTION	DRAWN	DATE	CHECKED	DATE	APPRVD	DATE
129	A	RELEASED	DJC	3/11/98	JC	3/13/98	JMM	7/7/98



SUGGESTED STRIPPING INSTRUCTIONS



SPECIFICATIONS:

IMPEDANCE: 50 OHMS
 FREQUENCY RANGE: 0-1 GHZ
 INSERTION LOSS: -.2 DB MAX @ 1GHZ
 VSWR MAX: 1.2:1 @ 1 GHZ FOR RG-178, 178A, 178B, 196 & 196A/U CABLE

DISCLAIMER
 ALL STANDARDS AND TECHNICAL INFORMATION CONTAINED HEREIN ARE BASED UPON INFORMATION AND/OR TESTS WE BELIEVE TO BE ACCURATE AND RELIABLE. SINCE CONDITIONS OF USE ARE BEYOND OUR CONTROL, THE USER SHALL DETERMINE THE SUITABILITY OF THE PRODUCT FOR THE INTENDED USE AND ASSURE ALL RISK AND LIABILITY WHATSOEVER IN CONNECTION THEREWITH.



SPC TECHNOLOGY

ITEM	DESCRIPTION	QTY	MATERIAL	FINISH
3	DIELECTRIC	1	TPX	NONE
2	CONTACT	1	BRASS	SILVER
1	BODY	1	BRASS	SILVER

UNLESS OTHERWISE

SPECIFIED,
 DIMENSIONS ARE
 FOR REFERENCE
 PURPOSES ONLY.

DRAWN BY:	DANIEL CAREY	DATE:	3/11/98
CHECKED BY:	JOHN COLE	DATE:	3/13/98
APPROVED BY:	JEFF MCVICKER	DATE:	7/7/98

DRAWING TITLE:

MICRO MINI MALE CRIMP PLUG

SIZE	DWG. NO.	ELECTRONIC FILE	REV
A	1526	92N3572.DWG	A
SCALE:	NTS	U.O.M.: INCHES [mm]	SHEET: 1 OF 1