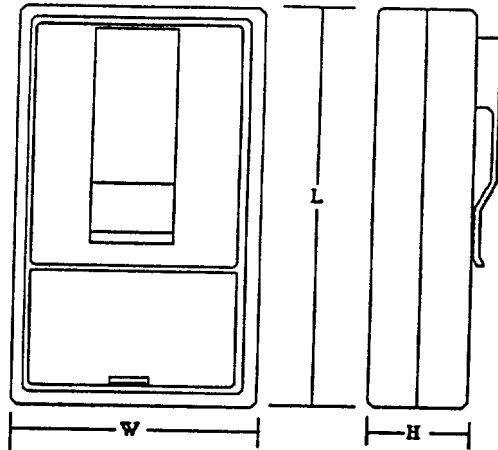


223-554

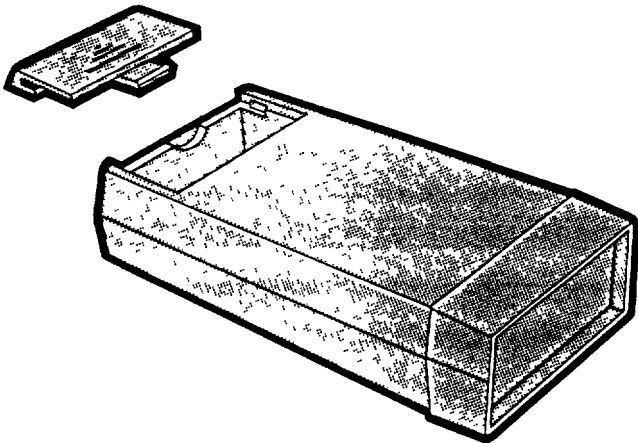
BC2 - Hand Held Case with Battery Compartment and Pocket Clip



- * PP3 Battery compartment with removable lid and clip-in integral battery connections.
- * No visible fixing screws for excellent final product appearance.
- * Textured finish
- * Optional pocket clip provided.
- * PCBs held firmly in place with internal location pegs
- * Relatively low cost.
- * Moulded in rugged Black, White or Light Grey ABS

	External Dimensions mm			
	L	W	H	Max PCB Size
BC2	103	62	23	64 x 56

BC3 - Hand Held Case with Battery Compartment



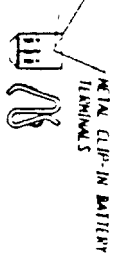
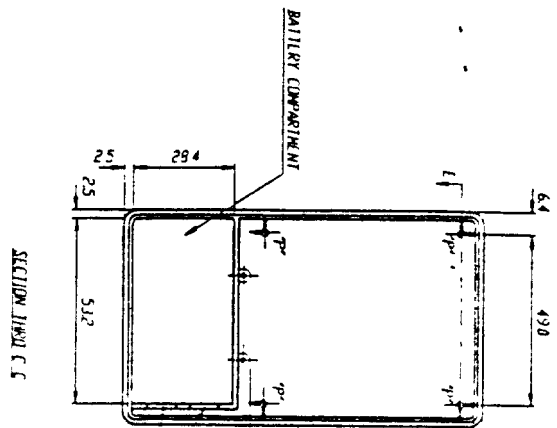
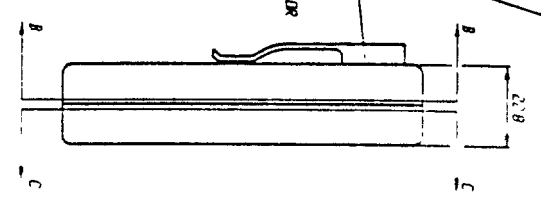
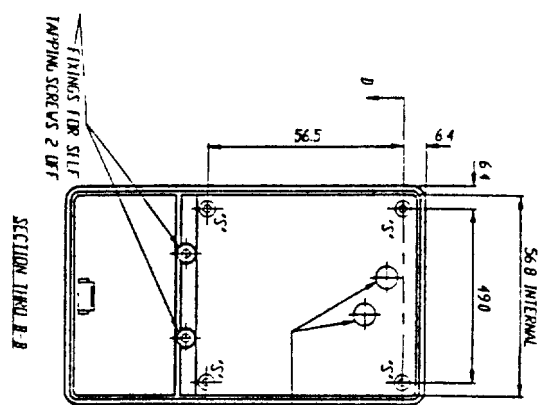
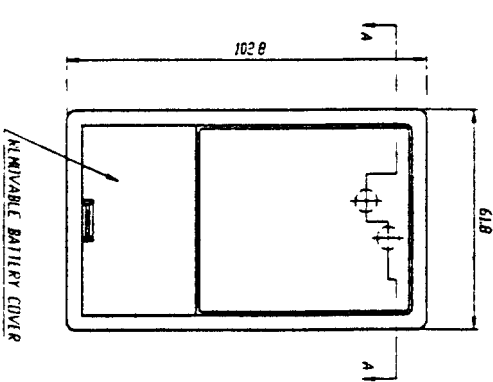
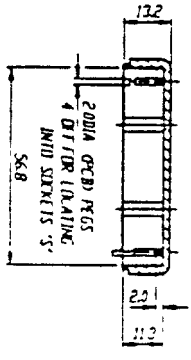
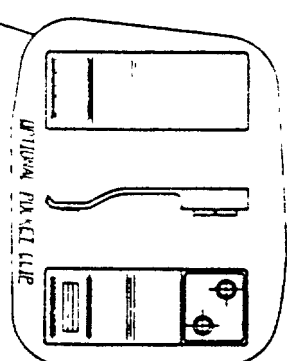
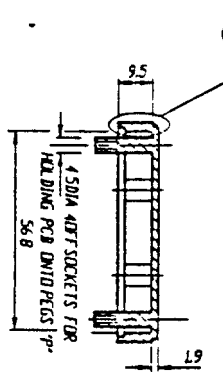
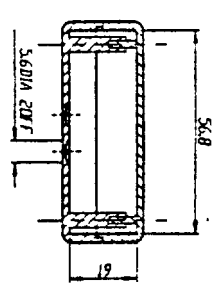
- * PP3 Battery compartment with removable lid
- * No visible fixing screws for excellent final product appearance
- * Textured finish
- * Removable front panel for ease of manufacture
- * Relatively low cost
- * Moulded in rugged Black, White or Light Grey ABS

	External Dimensions mm			
	L	W	H	Max PCB Size
BC3	118	66	33	60 x 65



Distribution

5th Avenue, Hornbeam Park, Hookstone Road,
Harrogate, North Yorkshire, HG2 8QT
Tel : (0423) 879787 Fax : (0423) 879030



ISS DATE	4/1/97	REV. NO.	1	BY	AK	CHKD BY	AK	DATE	
ISS DATE		REV. NO.	2	BY	AK	CHKD BY	AK	DATE	
ISS DATE		REV. NO.	3	BY	AK	CHKD BY	AK	DATE	
ISS DATE		REV. NO.	4	BY	AK	CHKD BY	AK	DATE	
ISS DATE		REV. NO.	5	BY	AK	CHKD BY	AK	DATE	
ISS DATE		REV. NO.	6	BY	AK	CHKD BY	AK	DATE	
ISS DATE		REV. NO.	7	BY	AK	CHKD BY	AK	DATE	
ISS DATE		REV. NO.	8	BY	AK	CHKD BY	AK	DATE	
ISS DATE		REV. NO.	9	BY	AK	CHKD BY	AK	DATE	
ISS DATE		REV. NO.	10	BY	AK	CHKD BY	AK	DATE	
ISS DATE		REV. NO.	11	BY	AK	CHKD BY	AK	DATE	
ISS DATE		REV. NO.	12	BY	AK	CHKD BY	AK	DATE	
ISS DATE		REV. NO.	13	BY	AK	CHKD BY	AK	DATE	
ISS DATE		REV. NO.	14	BY	AK	CHKD BY	AK	DATE	
ISS DATE		REV. NO.	15	BY	AK	CHKD BY	AK	DATE	
ISS DATE		REV. NO.	16	BY	AK	CHKD BY	AK	DATE	
ISS DATE		REV. NO.	17	BY	AK	CHKD BY	AK	DATE	
ISS DATE		REV. NO.	18	BY	AK	CHKD BY	AK	DATE	
ISS DATE		REV. NO.	19	BY	AK	CHKD BY	AK	DATE	
ISS DATE		REV. NO.	20	BY	AK	CHKD BY	AK	DATE	
ISS DATE		REV. NO.	21	BY	AK	CHKD BY	AK	DATE	
ISS DATE		REV. NO.	22	BY	AK	CHKD BY	AK	DATE	
ISS DATE		REV. NO.	23	BY	AK	CHKD BY	AK	DATE	

TITLE: **BCL DISTRIBUTION**
 DRAWING No. **BCL2**
 DRAWING No. **BCL2**