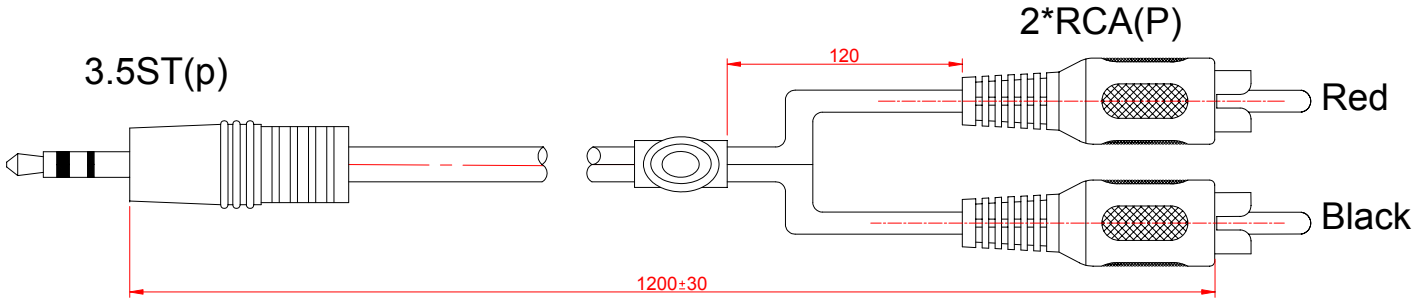


1 2 3 4 5 6

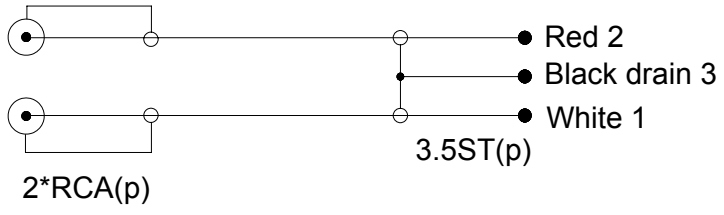
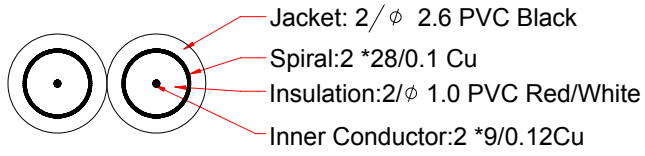
ECN Symbol	ECN No.	Descriptions	Date

A A

B B



C C



D D

1 2 3 4 5 6

Prepared	Neil T	Material			
Checked		Finish			Model AV00248
Approved		Q'ty	VER.	Scale	Parts
Unit mm			A-1		JESMAY
Ref/No.		Page			