

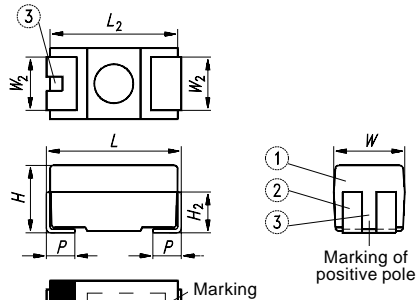
Chip capacitor "HighCap" B45196-H

Especially high volumetric efficiency
Performance level: long life
Application in telecom and data processing systems as well as in measuring and control equipment

With solid electrolyte
 Flame-retardant plastic case (UL 94 V-0)
 Suitable for reflow (IR, vapor phase) and wave soldering

Tape packaging in acc. with IEC 286-3

Rated voltage V_R 6,3 ... 35 Vdc
 IEC climatic category 55/125/56
 Service life > 500000 h
 Failure rate for $C_R \cdot V_R \leq 330 \mu\text{C}$: $\leq 8 \text{ fit} (\leq 8 \cdot 10^{-9}/\text{h})$
 (at 40°C ; $\leq V_{Ri}$) for $C_R \cdot V_R > 330 \mu\text{C}$: $\leq 24 \text{ fit} (\leq 24 \cdot 10^{-9}/\text{h})$
 $R_S \geq 3 \Omega/\text{V}$



Marking of positive pole

KTA0146-C

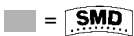
- ① Encapsulation: epoxy molding compound
- ② BdNiFe; surface Sn60/Pb40 or Sn90/Pb10
- ③ For case size A reduced slot length

Case size	Dimensions (mm)						
	L	L_2 typ.	W	$W_2 \pm 0,1$	H	H_2 typ.	$p \pm 0,3$
A	$3,2 \pm 0,2$	3,0	$1,6 \pm 0,2$	1,2	$1,6 \pm 0,2$	1,0	0,8
B	$3,5 \pm 0,2$	3,3	$2,8 \pm 0,2$	2,2	$1,9 \pm 0,2$	1,2	0,8
C	$6,0 \pm 0,3$	5,8	$3,2 \pm 0,3$	2,2	$2,5 \pm 0,3$	1,5	1,3
D	$7,3 \pm 0,3$	7,1	$4,3 \pm 0,3$	2,4	$2,8 \pm 0,3$	1,6	1,3
E	$7,3 \pm 0,3$	7,1	$4,3 \pm 0,3$	2,4	$4,1 \pm 0,3$	1,6	1,3

C_R	V_R 1) up to 85°C Vdc	Case size	Ordering code	Min. qty.	Max. qty.				
μF									

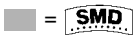
Capacitance tolerance $\pm 10\%$

4,7	6,3	A	B45196-H1475-K109	2000	20000				
10	6,3	A	B45196-H1106-K109	2000	20000				
100	6,3	D	B45196-H1107-K409	750	12000				



1) Surge voltage $V_S = 1,3 V_R$

C_R	V_R 1) up to 85 °C Vdc	Case size	Ordering code	Min. qty.	Max. qty.					
μF										
Capacitance tolerance $\pm 10\%$										
4,7	10	A	B45196-H2475-K109	2000	20000					
10	10	B	B45196-H2106-K209	2000	20000					
22	10	C	B45196-H2226-K309	750	12000					
100	10	D	B45196-H2107-K409	750	12000					
▼ 220	10	E	B45196-H2227-K509	200	4000					
▼ 330	10	E	B45196-H2337-K509	200	4000					
10	16	B	B45196-H3106-K209	2000	20000					
22	16	C	B45196-H3226-K309	750	12000					
47	16	D	B45196-H3476-K409	750	12000					
68	16	D	B45196-H3686-K409	750	12000					
▼ 100	16	E	B45196-H3107-K509	200	4000					
4,7	20	B	B45196-H4475-K209	2000	20000					
10	20	C	B45196-H4106-K309	750	12000					
1,0	25	A	B45196-H5105-K109	2000	20000					
1,5	25	A	B45196-H5155-K109	2000	20000					
22	25	D	B45196-H5226-K409	750	12000					
15	35	D	B45196-H6156-K409	750	12000					
▼ 22	35	E	B45196-H6226-K509	200	4000					



1) Peak voltage $V_p = 1,3 V_R$