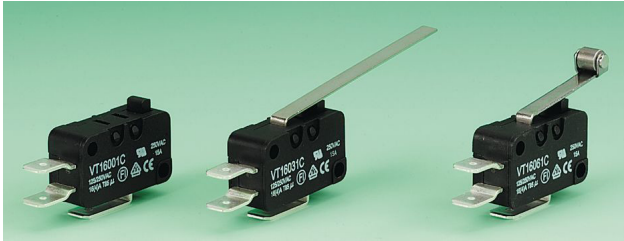


VT16 Series

Microswitches



Specifications:

Switch Contacts : SPDT.
 Mechanical Life : 10,000,000 operations minimum.
 High current rating.

Test Specification:

Ambient Temperature : -20°C to +85°C.

Materials:

Housing : PBT.
 Contacts : AgSnO₂.
 Terminal : COPPER.
 Spring : SWPB.

Characteristics

Item	Standard
Rating	16(4)A 250V ac; 15A 250V ac
Conforming to standards	IEC1058-1
Contact resistance	15mΩ maximum (Initial)
Insulation resistance	100MΩ minimum (500V dc)
Dielectric Strength	Between terminals of same polarity 1000V ac (50/60Hz 1 minute) Between each terminal and non-current-carrying rind parts 2000V ac (50/60Hz 1 minute)
Electrical Life	100,000 operations

Characteristics for VT16 00 1C

Item	Standard
Operating force (OF)	190g
Pretravel (PT) maximum	1.2mm
Overtravel (OT) minimum	1.0mm
Movement differential (MD) maximum	0.3mm
Operating position (OP)	14.7 ±0.4mm
Terminal mode	C: 6.3 x 0.8 quick-connect terminal



VT16 Series

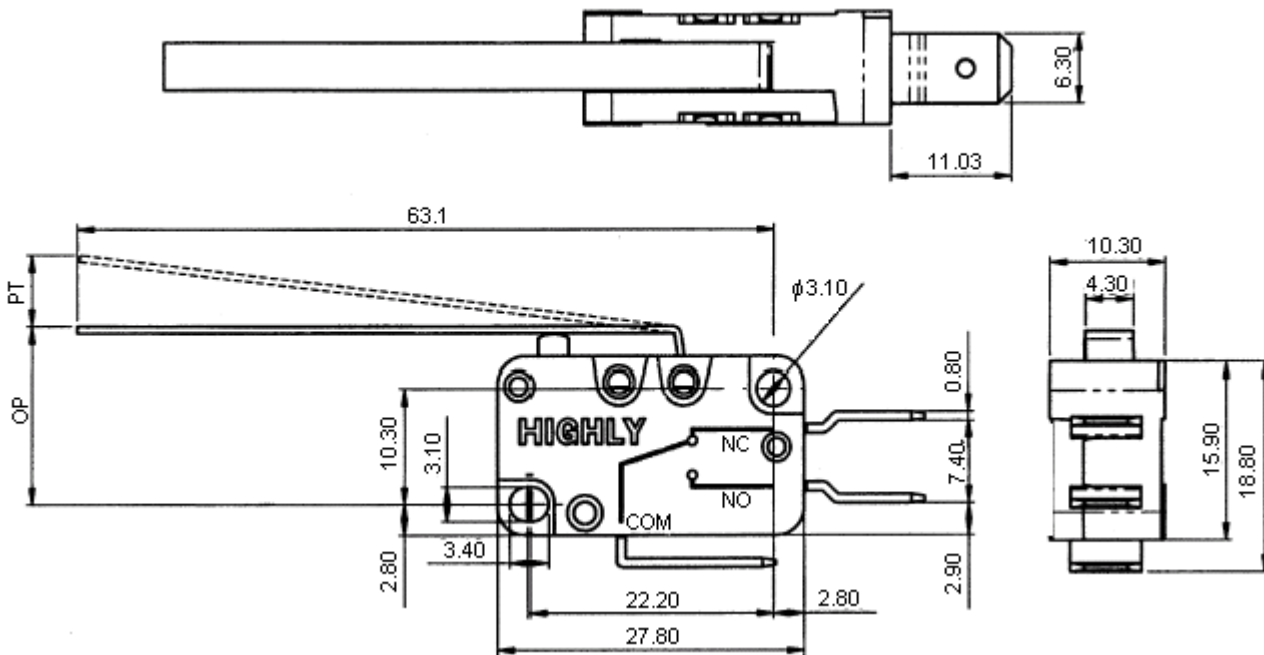
Microswitches



Characteristics for VT16 00 31C

Item	Standard
Operating force (OF)	60g
Pretravel (PT) maximum	7mm
Overtravel (OT) minimum	4mm
Movement differential (MD) maximum	2.0mm
Operating position (OP)	15.2 ±2.6mm
Terminal mode	C: 6.3 x 0.8 quick-connect terminal

VT16 00 31C



Dimensions : Millimetres

Characteristics for VT16 00 51C

Item	Standard
Operating force (OF)	250g
Pretravel (PT) maximum	1.2mm
Overtravel (OT) minimum	1.0mm
Movement differential (MD) maximum	0.4mm
Operating position (OP)	20.8 ±0.6mm
Terminal mode	C: 6.4 x 0.8 quick-connect terminal

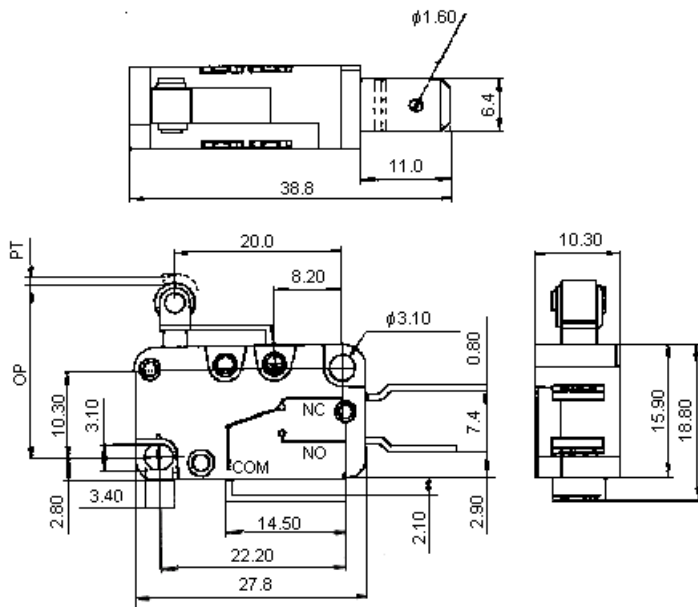


VT16 Series

Microswitches



VT16 00 51C

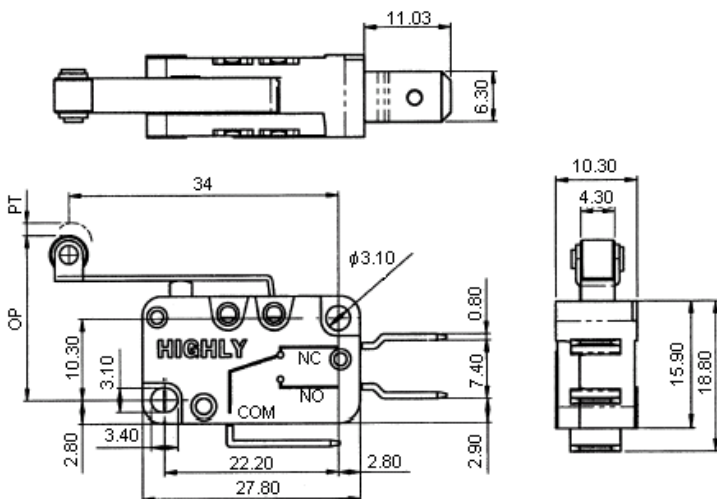


Dimensions : Millimetres

Characteristics for VT16 00 61C

Item	Standard
Operating force (OF)	120g
Pretravel (PT) maximum	3.5mm
Overtravel (OT) minimum	1.7mm
Movement differential (MD) maximum	1.0mm
Operating position (OP)	20.8 ±1.2mm
Terminal mode	C: 6.3 x 0.8 quick-connect terminal

VT16 00 61C



Dimensions : Millimetres



VT16 Series

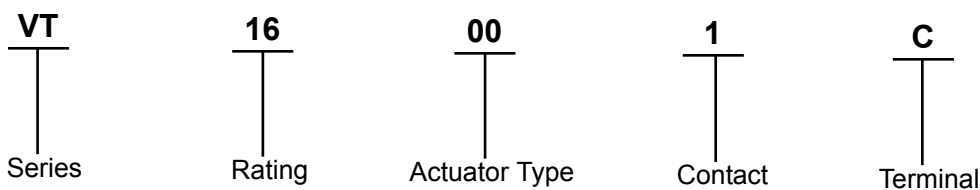
Microswitches

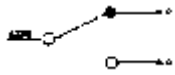


Specification Table

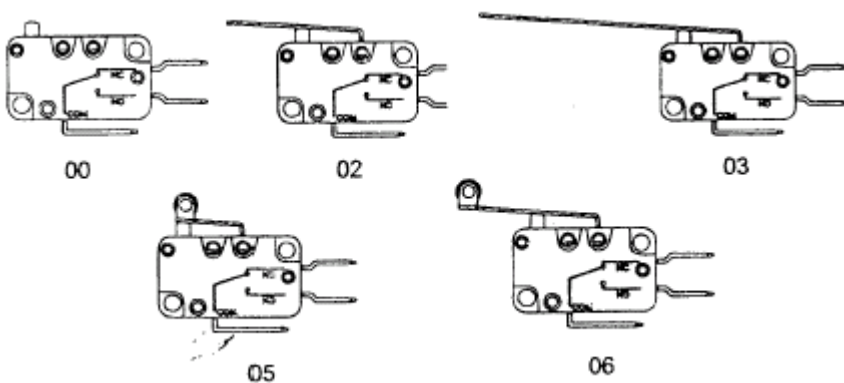
Switches	Part Number
Broad plunger	VT16 00 1C
Lever	VT16 02 1C
Long lever	VT16 03 1C
Roller lever	VT16 06 1C
Short roller lever	VT16 05 1C

Part Number Explanation:



- Rating** : 15A; 125/250V ac
: 16(4)A; 125/250V ac (IEC 1058-1).
- Actuator Type** : 01, 02, 03, 05 and 06. Diagrams given below.
- Contact** : 1 = 1NC and 1NO.
- 
- Terminal** : C = 6.3 x 0.8 quick-connect terminal for 00 1C, 03 1C and 06 1C
: C = 6.3 x 0.8 quick-connect terminal for 02 1C and 05 1C.

Actuator Type:



VT16 Series

Microswitches



Notes:

International Sales Offices:



AUSTRALIA – Farnell InOne
Tel No: ++ 61 2 9645 8888
Fax No: ++ 61 2 9644 7898



FINLAND – Farnell InOne
Tel No: ++ 358 9 560 7780
Fax No: ++ 358 9 345 5411



NETHERLANDS – Farnell InOne
Tel No: ++ 31 30 241 7373
Fax No: ++ 31 30 241 7333



SWITZERLAND – Farnell InOne
Tel No: ++ 41 1 204 64 64
Fax No: ++ 41 1 204 64 54



AUSTRIA – Farnell InOne
Tel No: ++ 43 662 2180 680
Fax No: ++ 43 662 2180 670



FRANCE – Farnell InOne
Tel No: ++ 33 474 68 99 99
Fax No: ++ 33 474 68 99 90



NEW ZEALAND – Farnell InOne
Tel No: ++ 64 9 357 0646
Fax No: ++ 64 9 357 0656



UK – Farnell InOne
Tel No: ++ 44 8701 200 200
Fax No: ++ 44 8701 200 201



BELGIUM – Farnell InOne
Tel No: ++ 32 3 475 2810
Fax No: ++ 32 3 227 3648



GERMANY – Farnell InOne
Tel No: ++ 49 89 61 39 39 39
Fax No: ++ 49 89 613 59 01



NORWAY – Farnell InOne
Tel No: ++ 45 44 53 66 66
Fax No: ++ 45 44 53 66 02



UK – BuckHickman InOne
++ 44 8450 510 150
++ 44 8450 510 130



BRAZIL – Farnell-Newark InOne
Tel No: ++ 55 11 4066 9400
Fax No: ++ 55 11 4066 9410



HONG KONG – Farnell-Newark InOne
Tel No: ++ 852 2268 9888
Fax No: ++ 852 2268 9899



PORTUGAL – Farnell InOne
Tel No: ++ 34 93 475 8804
Fax No: ++ 34 93 474 5288



UK – CPC
++ 44 8701 202 530
++ 44 8701 202 531



CHINA – Farnell-Newark InOne
Tel No: ++86 10 6238 5152
Fax No: ++86 10 6238 5022



IRELAND – Farnell InOne
Tel No: ++ 353 1 830 9277
Fax No: ++ 353 1 830 9016



SINGAPORE – Farnell-Newark InOne
Tel No: ++ 65 6788 0200
Fax No: ++ 65 6788 0300



EXPORT – Farnell InOne
Tel No: ++ 44 8701 200 208
Fax No: ++ 44 8701 200 209

For enquiries from all other markets



DENMARK – Farnell InOne
Tel No: ++ 45 44 53 66 44
Fax No: ++ 45 44 53 66 06



ITALY – Farnell InOne
Tel No: ++ 39 02 93 995 200
Fax No: ++ 39 02 93 995 300



SPAIN – Farnell InOne
Tel No: ++ 34 93 475 8805
Fax No: ++ 34 93 474 5107



ESTONIA – Farnell InOne
Tel No: ++ 358 9 560 7780
Fax No: ++ 358 9 345 5411



MALAYSIA – Farnell-Newark InOne
Tel No: ++ 60 3 7873 8000
Fax No: ++ 60 3 7873 7000



SWEDEN – Farnell InOne
Tel No: ++ 46 8 730 50 00
Fax No: ++ 46 8 83 52 62

<http://www.farnellinone.com>

<http://www.buckhickmaninone.com>

<http://www.cpc.co.uk>

Disclaimer This data sheet and its contents (the "Information") belong to the Premier Farnell Group (the "Group") or are licensed to it. No licence is granted for the use of it other than for information purposes in connection with the products to which it relates. No licence of any intellectual property rights is granted. The Information is subject to change without notice and replaces all data sheets previously supplied. The Information supplied is believed to be accurate but the Group assumes no responsibility for its accuracy or completeness, any error in or omission from it or for any use made of it. Users of this data sheet should check for themselves the Information and the suitability of the products for their purpose and not make any assumptions based on information included or omitted. Liability for loss or damage resulting from any reliance on the Information or use of it (including liability resulting from negligence or where the Group was aware of the possibility of such loss or damage arising) is excluded. This will not operate to limit or restrict the Group's liability for death or personal injury resulting from its negligence. Multicomp is the registered trademark of the Group. © Premier Farnell plc 2004.

