



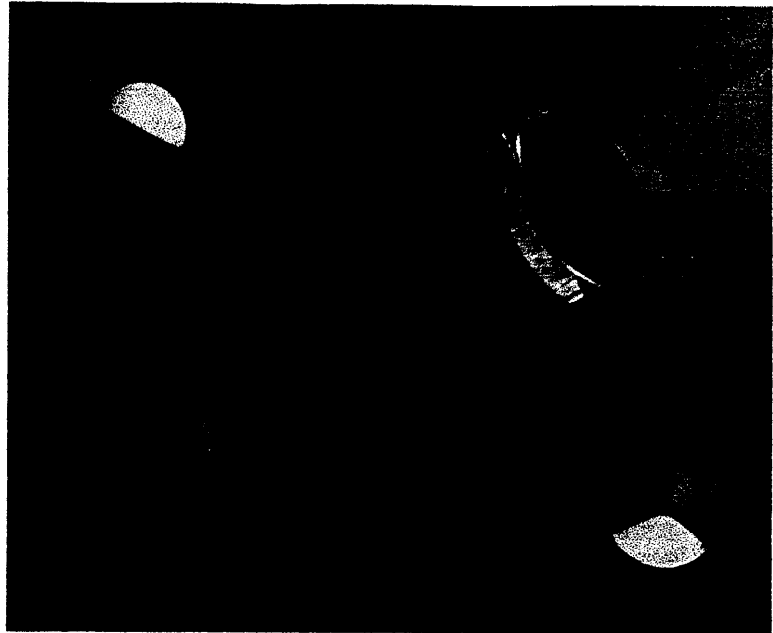
882-094 to 882-112

PROVISIONAL DATA

ROTOX® - SEGMENTED INDICATOR LAMP TYPES 2/OXL/LH23/- AND 3/OXL/LH23/-

FEATURES

- independant addressable segments
- integral resistors
- black body aids contrast of light output
- replaces three single indicators, saving time and space
- wide range of colour combinations including blue
- sealed to IP64



APPLICATIONS

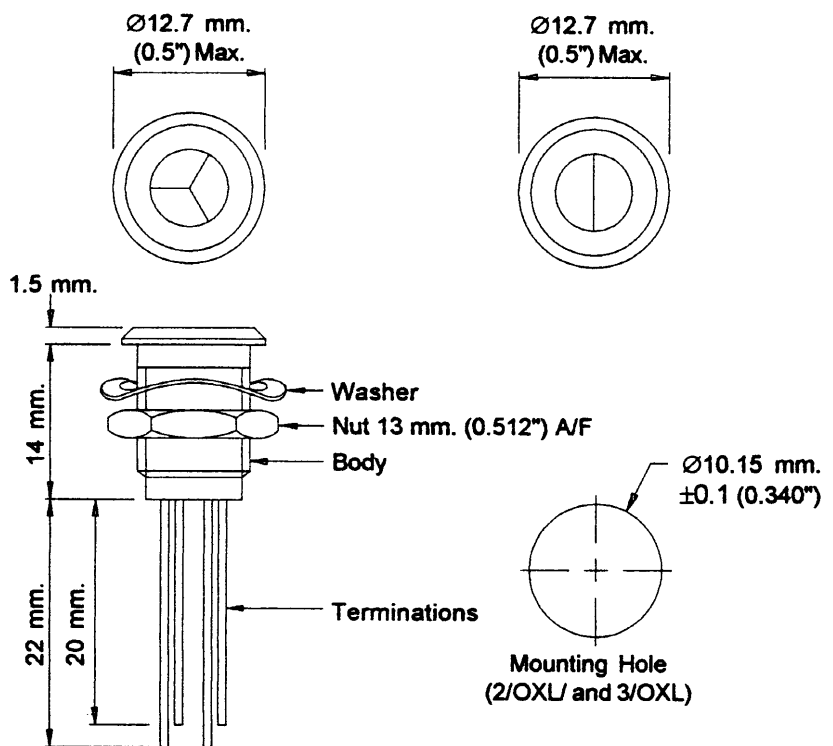
- visual indication of rotational movement
- traffic light simulation
- triple warning status
- aircraft undercarriage status
- valve positioning
- battery status indicator

OPTIONS

- sunlight readable
- low current models

MATERIALS

MOUNTING DETAILS



Body	:	Black anodised aluminium
Lens	:	Polycarbonate
Terminations	:	Solderability to BS 2011, Test T
Washer	:	Beryllium copper alloy tin plated
Nut	:	Aluminium alloy
Chassis Thickness (Max.)	:	8.0 mm (0.315")
Mounting Torque	:	1Nm (0.74 lbf ft.)



ROTOX® - SEGMENTED INDICATOR LAMP TYPES 2/OXL/LH23/- AND 3/OXL/LH23/-

LUMINOUS INTENSITY
Iv (mcd) @20mA dc
(per segment)

Iv (mcd) @20mA dc		
Colour	Typ.	Wavelength (nm) Typ.
Blue	100	475
Green	15	567
Yellow	12	585
Amber	66	592
Orange	66	615
Red	15	635
AlGaAs Red	113	644

ELECTRICAL CHARACTERISTICS

Colours	Blue	Green	Yellow	Amber	Orange	Red	AlGaAs
Max. Forward Current (mA)	30	30	20	50	50	30	50
Forward Voltage, Typical (Vdc)	3.6	2.2	2.1	1.9	1.9	1.9	1.9
Max. Reverse Voltage (Vdc)	5.0						

ORDERING INFORMATION

Front view diagrams show A, B, C, denoting the ordering of segment colours in anti-clockwise motion.

Note: Longer terminations of LED legs are 'anode', shorter legs for 'cathode'.

WIRING DETAILS

■ White dot denotes termination orientation



2/OXL/LH23/-



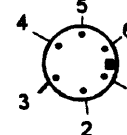
3/OXL/LH23/-

Rear View



- 1 - 'A' Anode
- 2 - 'A' Cathode
- 3 - 'B' Cathode
- 4 - 'B' Anode

Rear View



- 1 - 'A' Anode
- 2 - 'A' Cathode
- 3 - 'B' Anode
- 4 - 'B' Cathode
- 5 - 'C' Anode
- 6 - 'C' Cathode

/ OXL / LH23 / A / B / C /

no. of segments	generic range	segment colour	
2 - 2 in 1		B = Blue	O = Orange
3 - 3 in 1		G = Green	R = Red
		Y = Yellow	Al = AlGaAs Red
		A = Amber	

ENVIRONMENTAL

Operating and storage temperature range : - 40°C to + 80°C
Sealing to : BS5490 IP64. No ingress of dust and splash proof.

We also have capabilities to manufacture competitive custom products where quantities warrant. Samples and application data available on request.

COMPANY APPROVALS

BS EN ISO 9001:1994 and QAS/34/61 REG No. FM 01759
CECC Approval No. M/0022, BS 9000 Approval No. 1048/M

European and International Patents

OXLEY® is a trademark of Oxley Developments Company Ltd.

®Registered



Oxley Developments Company Ltd., Priory Park, Ulverston, Cumbria, England, LA12 9QG
Tel: (01229) 582621 Fax: (01229) 585090 e-mail: contact@oxley.co.uk

Oxley Inc. 25 Business Park Drive, PO Box 814, Branford, CT 06405, USA
Tel: (203) 488-1033 Fax: (203) 481-6971

©Copyright Oxley Developments Company Ltd. 1996