



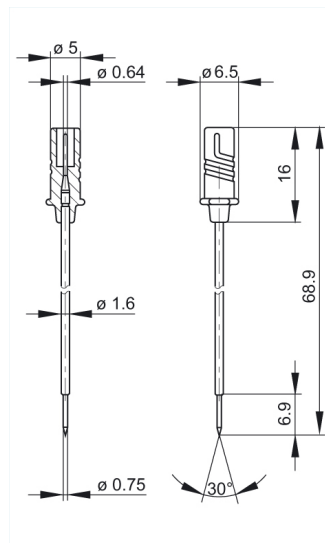
## MICRO-PRUEF MPS 2 0,64 FT schwarz/black

Measuring and Testing Equipment:Test probes:0.64 mm system

### Product description

Description	Miniature test probe with sprung stainless steel probe tip for sampling extremely small measuring points and SMD components. Because the probe tip is sprung, it cannot slip off and provides constant pressure. Connects with MKL...and MAL...
Type	MICRO-PRUEF MPS 2 0,64 FT schwarz/black
Order No.	973 995-100
System	0,64 mm system
Housing Color	black
Other standard types	red color, Order-No. 973 995-101

### Drawing



### Technical data

Pin dimensions	0,64 mm
Type of contact	pin
Type of termination	1 x 0,64 mm diameter pin, gold-plated
Rated voltage	DC 60 V
Contact resistance	16 mOhm

### Material

Contact material	stainless steel
Contact surface material	rhodium
Housing material	PBT

### Environmental conditions

Temperature range	-25 °C to +80 °C
-------------------	------------------

### Inflammability class

Housing	94 HB
---------	-------