

CONNECTOR MATING SIDE  
RECOMMENDED P.C.B. HOLE PATTERN

**RoHS Compliant**

**SPECIFICATION :**

- . HOUSING MATERIAL : PBT WITH GLASS-FIBER REINFORCED  
UL 94V-0
- . CONTACT MATERIAL : PHOSPHOR BRONZE , GOLD OVER NICKEL
- . RATED CURRENT : 1A
- . INSULATION RESISTANCE : 500MΩ MIN.
- . CONTACT RESISTANCE : 35mΩ MAX.
- . DIELECTRIC WITHSTANDING VOLTAGE : AC 500V FOR 1 MINUTE.
- . OPERATING TEMPERATURE : -25°C - +85°C. △

REV.	ZONE	LTR	DESCRIPTION	DATE	REVISED	APPD
2	F3	△	MODIFY SPECIFICATION	9/20/05	ZW	

**ORDERING INFORMATION:**

8AL 050 S - 3 3 5 C 1 - AF  
(1) (2) (3) (4) (5) (6) (7) (8) (9)

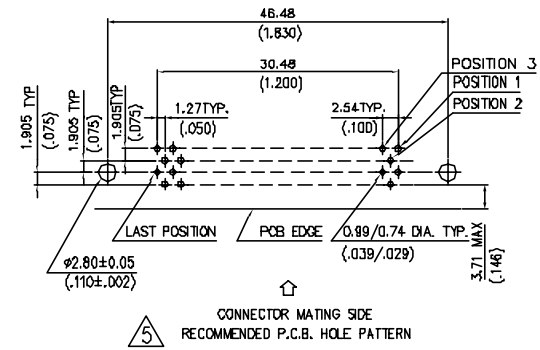
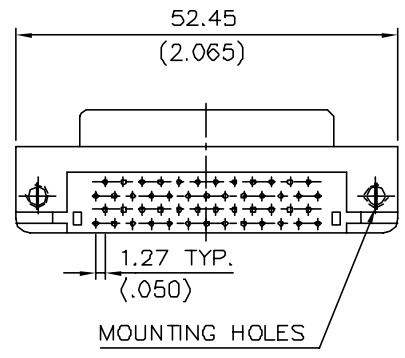
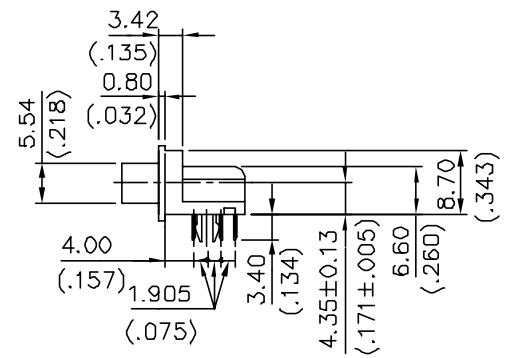
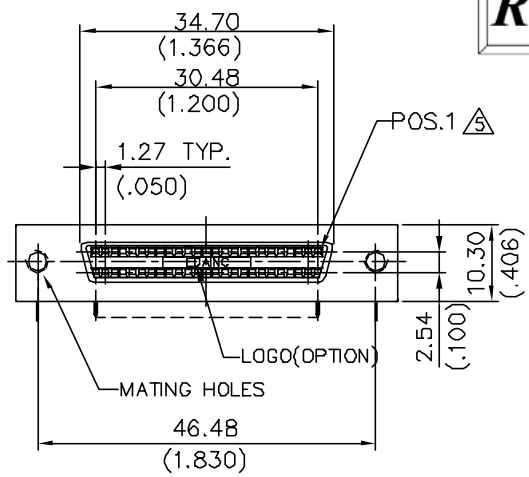
- SERIES NUMBER :  
8AL : HIGH DENSITY 1.27(.050") SPACING  
MINI CONNECTOR RIGHT ANGLE P.C.B. TYPE
- NO OF CONTACTS :  
EX 050 : 50 POSITIONS
- CONTACT TYPE :  
S : SOCKET
- COLOR (HOUSING):  
3 : BLACK
- CONTACT FINISH :  
0 : SELECTIVE GOLD FLASH OVER 30u" NICKEL  
2 : 15u" SELECTIVE GOLD OVER 50u" NICKEL  
3 : 30u" SELECTIVE GOLD OVER 50u" NICKEL
- METAL SHELL FINISH :  
4 : TIN PLATED SHELL, WITHOUT GROUNDING INDENTS  
5 : NICKEL PLATED SHELL, WITHOUT GROUNDING INDENTS
- MOUNTING TYPE :  
MATING HOLES  
A : 4 - 40 UNC 4 - 40 UNC  
B : 4 - 40 UNC 2 - 56 UNC  
C : 4 - 40 UNC HARPOON  
D : 2 - 56 UNC 2 - 56 UNC  
E : 2 - 56 UNC 4 - 40 UNC  
F : 2 - 56 UNC HARPOON  
G : M2.6 \* 0.45 M2.6 \* 0.45  
H : M2.6 \* 0.45 HARPOON
- BRACKET TYPE :  
1 : WITHOUT RAILS, WITH LATCH BLOCKS
- SUFFIX NUMBER :  
AB : EDA LOGO, PVC TRAY PACKING  
AF : EDA LOGO, ANTI-STATIC TUBE PACKING

MATERIAL		TOLERANCE UNSPECIFIED .0 0 0 ± 0.13(.005) .0 0 ± 0.25(.010) .0 ± 0.38(.015) ± .1 ANGLE ± 1°		PORT NO.	
FINISH		DRAWN 吳千麟 03/21'94 DESIGNER 吳千麟 CHECKED Peterhu APPROVED John			
		NAME 8AL SERIES 1.27(.050) SCSI-II H.D. R/A P.C.B. TYPE 50POS CONNECTOR		SCALE FREE UNIT mm	
		DRAWING NO. R-S18AL-0		SHEET 1/1	
				REV. 2	
				A3 RS18AL01	

**RoHS Compliant**

REV.	ZONE	LTR	DESCRIPTION	DATE	REVISER	APPD
5	D4	△5	ADD P.C.B LAYOUT AND SUFFIX No.AND THE PINI	10/25-04	MWLin	Peterhu
6	F3	△6	MODIFY SPECIFICATION	10/5-05	XQH	

A  
B  
C  
D  
E  
F



**ORDERING INFORMATION**

8AL 050 5 - 3 \* 5 \* 3 - (\*\*)  
 (1) (2) (3) (4) (5) (6) (7) (8) (9) △

1. SERIES NUMBER :  
BAL : HIGH DENSITY 1.27(.050") SPACING  
MINI CONNECTOR R/A P.C.B. TYPE
2. NO OF CONTACTS :  
EX 050 : 50 POSITIONS
3. CONTACT TYPE :  
S : SOCKET
4. COLOR (INSULATOR)  
3 : BLACK
5. CONTACT FINISH :  
0 : SELECTIVED GOLD FLASH OVER 30μ" NICKEL  
2 : 15μ" SELECTIVED GOLD OVER 50μ" NICKEL  
3 : 30μ" SELECTIVED GOLD OVER 50μ" NICKEL  
C : 5μ" SELECTIVED GOLD OVER 50μ" NICKEL
6. METAL SHELL FINISH :  
4 : TIN PLATED SHELL, WITHOUT GROUNDING INDENTS  
5 : NICKEL PLATED SHELL, WITHOUT GROUNDING INDENTS
7. MOUNTING TYPE :  
MATING HOLES      MOUNTING HOLES  
A : 4 - 40 UNC      4 - 40 UNC  
B : 4 - 40 UNC      2 - 56 UNC  
C : 4 - 40 UNC      HARPOON  
D : 2 - 56 UNC      2 - 56 UNC  
E : 2 - 56 UNC      4 - 40 UNC  
F : 2 - 56 UNC      HARPOON  
G : M2.6 \* 0.45      M2.6 \* 0.45  
H : M2.6 \* 0.45      HARPOON
8. BRACKET TYPE :  
3. : WITHOUT RAILS & LATCH BLOCKS
9. SUFFIX NUMBER :  
NONE : WITHOUT LOGO.  
10 : WITH "EDAINC" LOGO.

- SPECIFICATION :**
- . INSULATOR MATERIAL : PBT WITH GLASS-FIBER REINFORCED UL 94V-0
  - . CONTACT MATERIAL : PHOSPHOR BRONZE , GOLD OVER NICKEL
  - . RATED CURRENT : 1A
  - . INSULATION RESISTANCE : 500MΩ MIN.
  - . CONTACT RESISTANCE : 35mΩ MAX.
  - . DIELECTRIC WITHSTANDING VOLTAGE : AC 500V FOR 1 MINUTE.
  - . OPERATING TEMPERATURE : -25°C - +85°C. △6

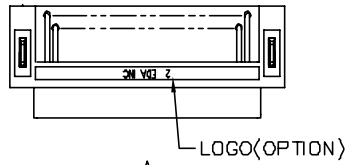
		PART NO.	
MATERIAL	TOLERANCE UNSPECIFIED 0.00 ± 0.13(.005) .00 ± 0.25(.010) .0 ± 0.38(.015) ANGLE ± 1°		
FINISH	DRAWN 吳千鶴 10/26/95 DESIGNER 吳千鶴 CHECKED peter APPROVED john	SCALE FREE	UNIT mm(inch)
		NAME 8AL SERIES 1.27(.050) SCSI-II H.D. R/A P.C.B. TYPE 50PIN CONNECTOR	SHEET 1/1
		DRAWING NO. R-S18AL-2	REV. 6

1 2 3 4 5

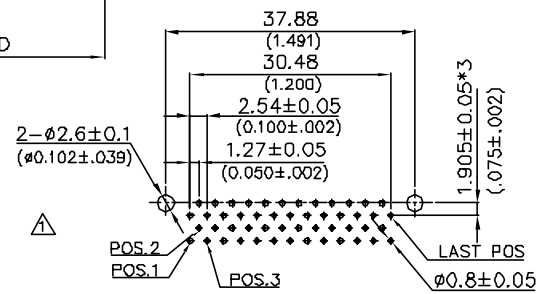
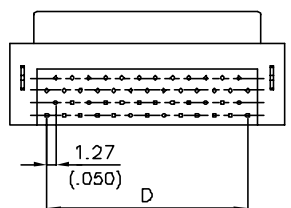
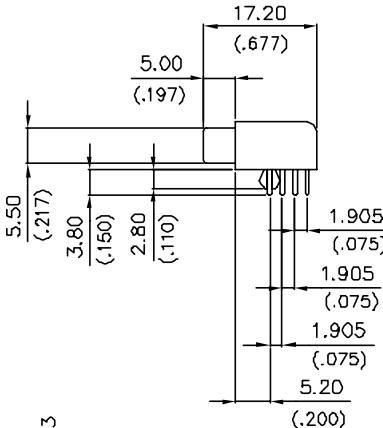
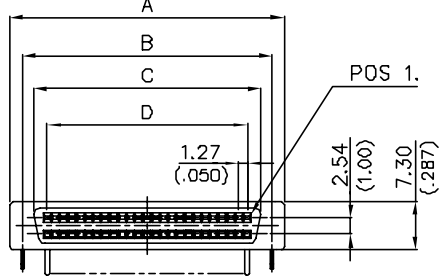
REV.	ZONE	LTR	DESCRIPTION	DATE	REVISER	APPD
3	D2	△	ADD P.C.B LAYOUT	8/5-06	MWLin	

A  
B  
C  
D  
E  
F

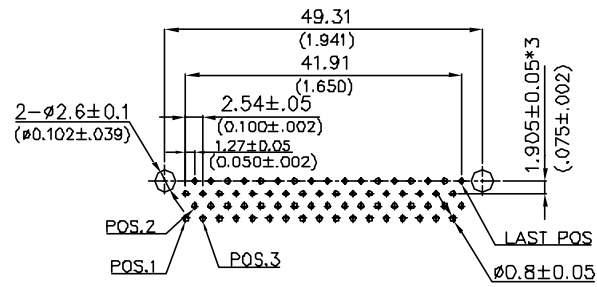
A  
B  
C  
D  
E  
F



**RoHS Compliant**



RECOMMENDED P.C.B. HOLE PATTERN  
(FOR 50 POSITION HEADERS)



RECOMMENDED P.C.B. HOLE PATTERN  
(FOR 68 POSITION HEADERS)

**ORDERING INFORMATION:**

8AL 050 S - 3 2 0 J 0 - (10)  
(1) (2) (3) (4) (5) (6) (7) (8) (9)

- SERIES NUMBER :  
8AL :HIGH DENSITY 1.27(.050)" SPACING MINI  
CONNECTOR R/A P.C.B ALL PLASTIC TYPE
- NO OF CONTACTS :  
EX OSD : 50 POSITIONS
- CONTACT TYPE :  
S : SOCKET
- COLOR (INSULATOR) :  
3 : BLACK
- CONTACT FINISH :  
0 : SELECTIVED GOLD FLASH OVER 30μ" NICKEL  
2 : 15μ" SELECTIVED GOLD OVER 50μ" NICKEL  
3 : 30μ" SELECTIVED GOLD OVER 50μ" NICKEL
- METAL SHELL FINISH :  
0 : ALL PLASTIC TYPE
- METAL SHELL FINISH :  
MATING HOLES MOUNTING HOLES  
J : HARPOON
- BRACKET TYPE :  
0 : WITHOUT BRACKET
- SUFFIX NUMBER :  
10 : EDA LOGO  
NONE : WITHOUT EDA LOGO

**SPECIFICATIONS :**

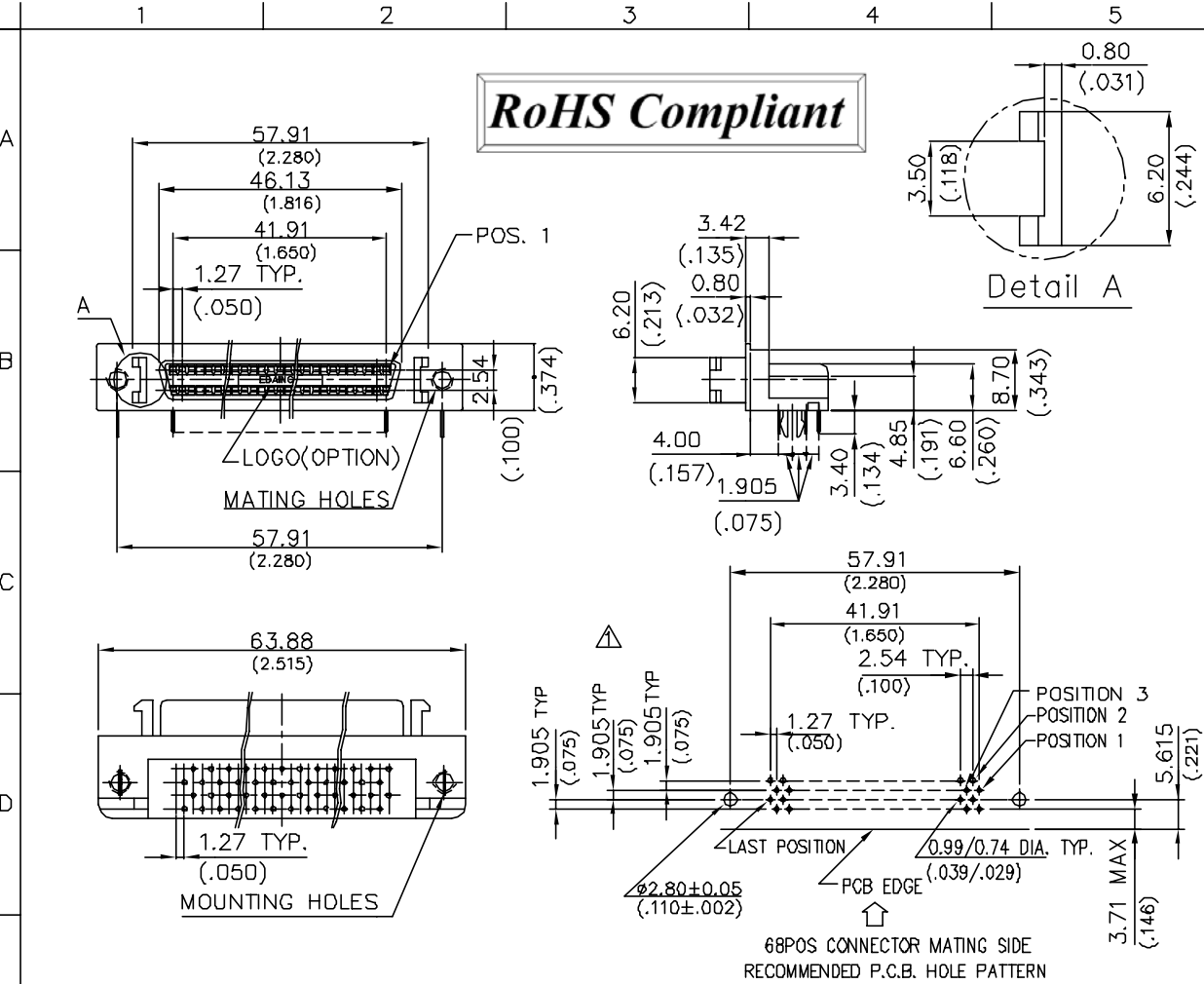
INSULATOR MATERIAL : P.B.T & GLASS-FIBER REINFORCED  
UL 94V-0  
CONTACT MATERIAL : PHOSPHOR BRONZE , GOLD OVER NICKEL  
INSULATION RESISTANCE : 500 M Ω MIN  
CONTACT RESISTANCE : 35 mΩ MAX.  
DIELECTRIC WITHSTANDING VOLTAGE : AC 250V FOR 1 MINUTE.  
OPERATING TEMPERATURE : -25°C ~ +85°C

41.91 (1.650)	46.13 (1.813)	49.31 (1.941)	53.13 (2.095)	68	8AL068S-3*0J0-(10)
30.48 (1.200)	10.96 (1.366)	37.88 (1.491)	41.70 (1.642)	50	8AL050S-3*0J0-(10)
D	C	B	A	POS	PART NO.

MATERIAL	TOLERANCE UNSPECIFIED	<b>FREEPORT</b>	SCALE	UNIT
	.000 ±		FREE	mm(inch)
	.00 ±0.25			
	.0 ±0.38			
FINISH	ANGLE ±1°	DRAWN MWLin 8/6-06 DESIGNER MWLin CHECKED Peterhu APPROVED John	NAME	
			8AL SERIES 1.27(.050) R/A P.C.B ALL PLASTIC TYPE	
			DRAWING NO	
			R-S18AL-3	
			SHEET	REV.
			1/1	3

1 2 3 4 5 6 7 8 A3 RS18AL31

**RoHS Compliant**



REV.	ZONE	LTR	DESCRIPTION	DATE	REVISER	APPD
2	C3	△	ADD P.C.B LAYOUT	8/6-06	MWLin	

ORDERING INFORMATION  
8AL 068 5 - 3 3 5 F 5 - BB  
 (1) (2) (3) (4) (5) (6) (7) (8) (9)

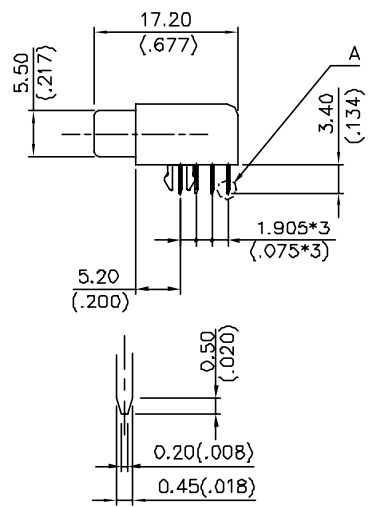
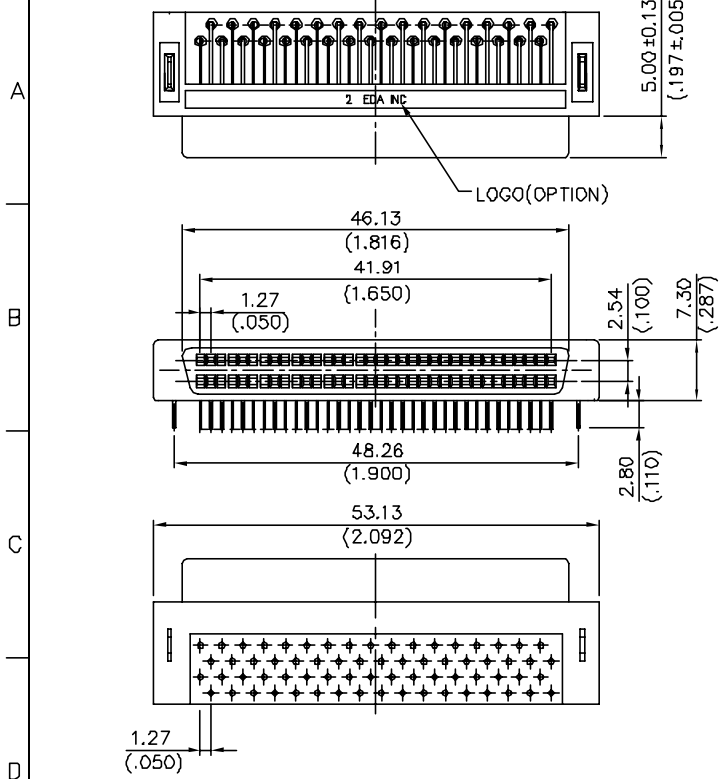
- SERIES NUMBER :  
8AL : HIGH DENSITY 1.27(.050") SPACING  
MINI CONNECTOR R/A P.C.B. TYPE
- NO OF CONTACTS :  
EX 068 : 68 POSITIONS
- CONTACT TYPE :  
S : SOCKET  
3 : BLACK
- COLOR (INSULATOR)  
3 : BLACK
- CONTACT FINISH :  
0 : SELECTED GOLD FLASH OVER 30μ" NICKEL  
2 : 15μ" SELECTED GOLD OVER 50μ" NICKEL  
3 : 30μ" SELECTED GOLD OVER 50μ" NICKEL  
C : 5μ" SELECTED GOLD OVER 50μ" NICKEL
- METAL SHELL FINISH :  
4 : TIN PLATED SHELL, WITHOUT GROUNDING INDENTS  
5 : NICKEL PLATED SHELL, WITHOUT GROUNDING INDENTS
- SCREW TYPE :  
MATING HOLES      MOUNTING HOLES  
A : 4 - 40 UNC      4 - 40 UNC  
B : 4 - 40 UNC      2 - 56 UNC  
C : 4 - 40 UNC      HARPOON  
D : 2 - 56 UNC      2 - 56 UNC  
F : 2 - 56 UNC      4 - 40 UNC  
G : 2 - 56 UNC      HARPOON  
H : M2.6 \* 0.45      M2.6 \* 0.45  
   HARPOON
- BRACKET TYPE :  
5 : WITHOUT RAILS, WITH LATCH BLOCKS  
THE LATCH BLOCKS WIDTH IS 6.2mm.
- SUFFIX NUMBER :  
BB: WITHOUT EDA LOGO, TUB PACKING, HOUSING  
& COVER MATERIAL: LCP+30GF  
BF: WITH EDA LOGO, TUB PACKING, HOUSING  
& COVER MATERIAL: LCP+30GF

- SPECIFICATION -
- INSULATOR MATERIAL : LCP WITH GLASS-FIBER REINFORCED  
UL 94V-0
  - CONTACT MATERIAL : PHOSPHOR BRONZE , GOLD OVER NICKEL
  - RATED CURRENT : 1A
  - INSULATION RESISTANCE : 500MΩ MIN.
  - CONTACT RESISTANCE : 35mΩ MAX.
  - DIELECTRIC WITHSTANDING VOLTAGE : AC 250V FOR 1 MINUTE.
  - OPERATING TEMPERATURE : -25°C - +85°C.

MATERIAL		TOLERANCE UNSPECIFIED		PART NO.	
X		.00D	± 0.13(.005)		
		.00	± 0.25(.010)		
X		.0	± 0.38(.015)	SCALE	
		.0	± 0.38(.015)	FREE	
FINISH		DRAWN MWLin 8/06-06		UNIT mm (inch)	
X		DESIGNER MWLin		NAME	
		CHECKED Peterhu		8AL SERIES 1.27(.050)	
		APPROVED JOHN		SCSI-III H.D. R/A P.C.B.	
				TYPE 68POS CONNECTOR	
		DRAWING NO. R-S18AL-13		SHEET 1/1	
				REV. 2	

REV	ZONE	LTR	DESCRIPTION	DATE	REVISER	APPD

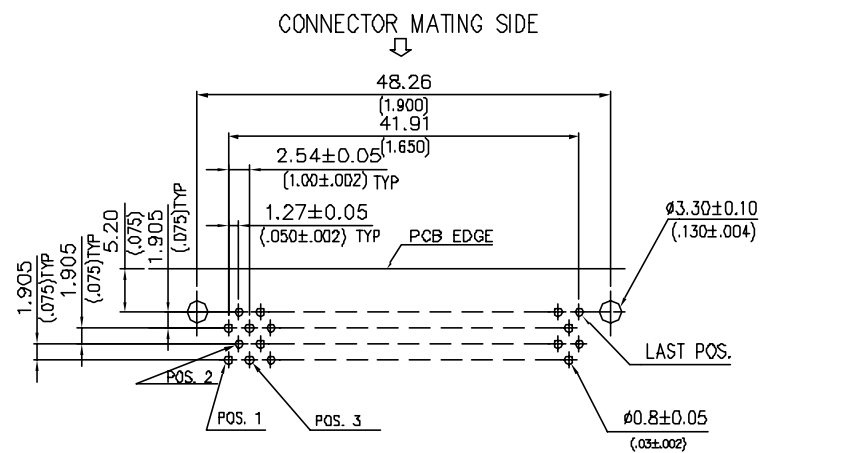
**RoHS Compliant**



A DETAIL(4:1)

**SPECIFICATION :**

- HOUSING MATERIAL : PBT WITH GLASS-FIBER REINFORCED UL 94V-0
- CONTACT MATERIAL : PHOSPHOR BRONZE , GOLD OVER NICKEL
- RATED CURRENT : 1A
- INSULATION RESISTANCE : 500MΩ MIN.
- CONTACT RESISTANCE : 35mΩ MAX.
- DIELECTRIC WITHSTANDING VOLTAGE : AC 500V FOR 1 MINUTE.
- OPERATING TEMPERATURE : -25°C - +85°C.



**ORDERING INFORMATION:**

8AL 06B S - 3 \* 0 J 0 - (10)  
 (1) (2) (3) (4) (5) (6) (7) (8) (9)

- SERIES NUMBER : 8AL : HIGH DENSITY 1.27(.050") SPACING MINI CONNECTOR R/A P.C.B. TYPE
- NO OF CONTACTS : EX 06B : 68 POSITIONS
- CONTACT TYPE : S : SOCKET
- COLOR (HOUSING) 3 : BLACK
- CONTACT FINISH : 0 : SELECTIVE GOLD FLASH OVER 30μ" NICKEL  
 2 : 15μ" SELECTIVE GOLD OVER 50μ" NICKEL  
 3 : 30μ" SELECTIVE GOLD OVER 50μ" NICKEL
- METAL SHELL FINISH : 0 : ALL PLASTIC (W/O METAL SHELL)
- SCREW TYPE : MATING HOLES
- BRACKET TYPE : 0 : W/O BRACKET
- SUFFIX NUMBER : 10: WITH "EDA INC" LOGO ON THE HOUSING.  
 NONE: WITHOUT "EDA INC" LOGO ON THE HOUSING.

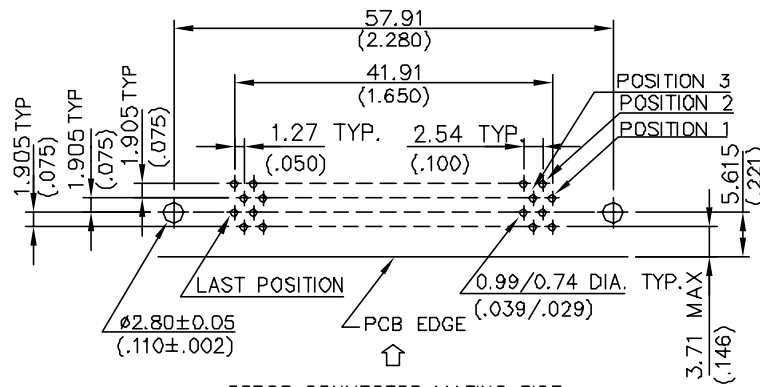
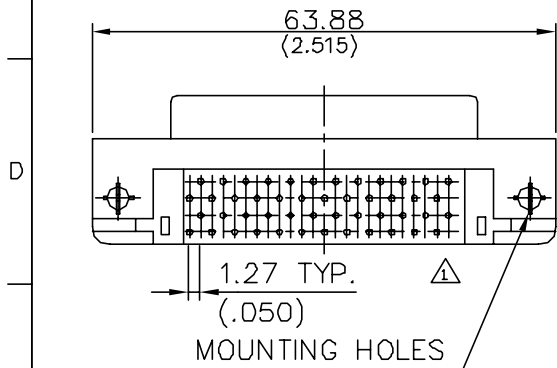
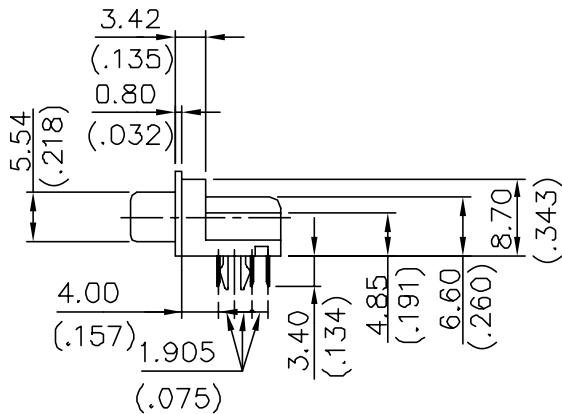
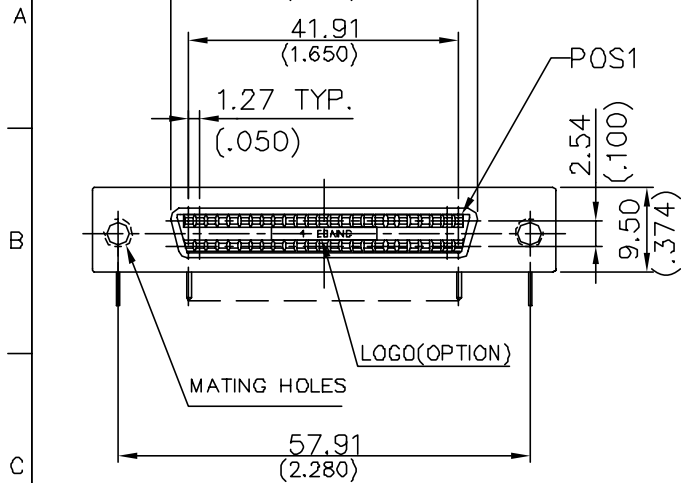
MOUNTING HOLES HARPOON

68POS CONNECTOR RECOMMENDED P.C.B. HOLE PATTERN

MATERIAL		TOLERANCE UNSPECIFIED		PART NO.	
FINISH		± 0.13			
		± 0.25			
		± 0.38		SCALE FREE	
		ANGLE ± 1°		UNIT mm (inch)	
DRAWN YUANBIN 04/02/13		NAME 8AL SERIES 1.27(.050) SCSI-II H.D. R/A P.C.B. TYPE 68POS CONNECTOR		SHEET 1/1	
DESIGNER		DRAWING NO. R-S18AL-14		REV 1	
CHECKED Peterhu 2/24'04		DRAWING NO. R-S18AL-14		REV 1	
APPROVED John 2/24'04		DRAWING NO. R-S18AL-14		REV 1	

**RoHS Compliant**

REV	ZONE	LTR	DESCRIPTION	DATE	REVISER	APPD
2	B2	△	MODIFY MISTAKE	8/6-06	MWLIn	



**ORDERING INFORMATION**

8AL 068 S - 3 \* 5 \* 3 - (10)  
 (1) (2) (3) (4) (5) (6) (7) (8) (9)

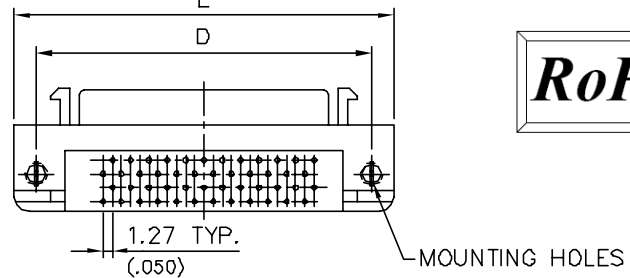
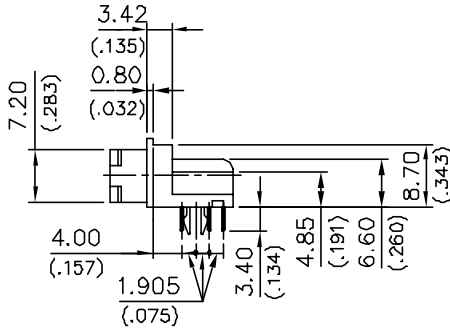
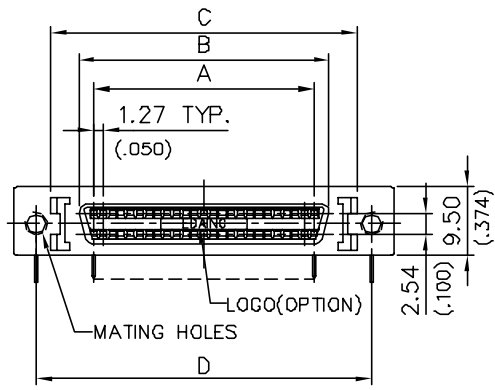
- SERIES NUMBER :  
8AL : HIGH DENSITY 1.27(.050") SPACING  
MINI CONNECTOR R/A P.C.B. TYPE
- NO OF CONTACTS :  
EX 068 : 68 POSITIONS
- CONTACT TYPE :  
S : SOCKET
- COLOR (HOUSING)  
3 : BLACK
- CONTACT FINISH :  
0 : SELECTIVE GOLD FLASH OVER 30 μ" NICKEL  
2 : 15 μ" SELECTIVE GOLD OVER 50 μ" NICKEL  
3 : 30 μ" SELECTIVE GOLD OVER 50 μ" NICKEL  
C : 5 μ" SELECTIVE GOLD OVER 50 μ" NICKEL
- METAL SHELL FINISH :  
1 : TIN PLATED SHELL, WITH GROUNDING INDENTS  
4 : TIN PLATED SHELL, W/O GROUNDING INDENTS  
5 : NICKEL PLATED SHELL, W/O GROUNDING INDENTS  
6 : NICKEL PLATED SHELL, WITH GROUNDING INDENTS
- SCREW TYPE :  
MATING HOLES MOUNTING HOLES  
A : 4 - 40 UNC 4 - 40 UNC  
B : 4 - 40 UNC 2 - 56 UNC  
C : 4 - 40 UNC HARPOON  
D : 2 - 56 UNC 2 - 56 UNC  
E : 2 - 56 UNC 4 - 40 UNC  
F : 2 - 56 UNC HARPOON  
G : M2.6 \* 0.45 M2.6 \* 0.45  
H : M2.6 \* 0.45 HARPOON
- BRACKET TYPE :  
3.WITHOUT RAILS & LATCH BLOCKS
- SUFFIX NUMBER:  
10 : WITH"EDAINC"LOGO ON THE HOUSING.  
NONE : WITHOUT"EDAINC"LOGO ON THE HOUSING.

**SPECIFICATION :**

- HOUSING MATERIAL : PBT WITH GLASS-FIBER REINFORCED UL 94V-0
- CONTACT MATERIAL : PHOSPHOR BRONZE , GOLD OVER NICKEL
- RATED CURRENT : 1A
- INSULATION RESISTANCE : 500MΩ MIN.
- CONTACT RESISTANCE : 35mΩ MAX.
- DIELECTRIC WITHSTANDING VOLTAGE : AC 250V FOR 1 MINUTE.
- OPERATING TEMPERATURE : -25°C - +85°C.

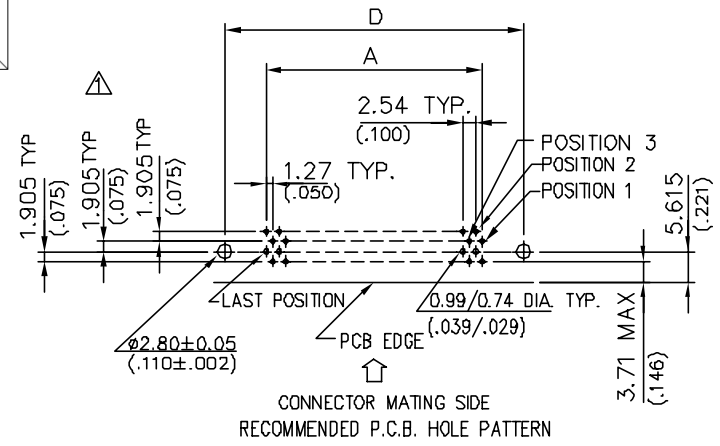
MATERIAL		TOLERANCE UNSPECIFIED		PART NO.	
/		± 0.13			
		± 0.25			
/		± 0.38		SCALE FREE	
		± 0.38		UNIT mm(inch)	
FINISH		DRAWN MWLin 08/6-6		NAME	
/		DESIGNER MWLin		8AL SERIES 1.27(.050)	
		CHECKED Peterhu		SCSI-II H.D. R/A P.C.B.	
		APPROVED John		TYPE 68POS CONNECTOR	
		DRAWING NO.		SHEET 1/1	
		R-S18AL-15		REV 2	

REV.	ZONE	LTR	DESCRIPTION	DATE	REVISER	APPD
1	C5	△	ADD P.C.B LAYOUT	8/6-06	MWLin	



**RoHS Compliant**

- SPECIFICATION -
- INSULATOR MATERIAL : PBT WITH GLASS-FIBER REINFORCED UL 94V-0
  - CONTACT MATERIAL : PHOSPHOR BRONZE , GOLD OVER NICKEL
  - RATED CURRENT : 1A
  - INSULATION RESISTANCE : 500MΩ MIN.
  - CONTACT RESISTANCE : 35mΩ MAX.
  - DIELECTRIC WITHSTANDING VOLTAGE : AC 250V FOR 1 MINUTE.
  - OPERATING TEMPERATURE : -25°C - +85°C.



**ORDERING INFORMATION**

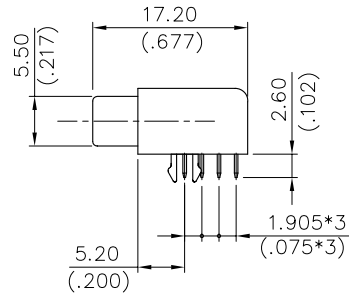
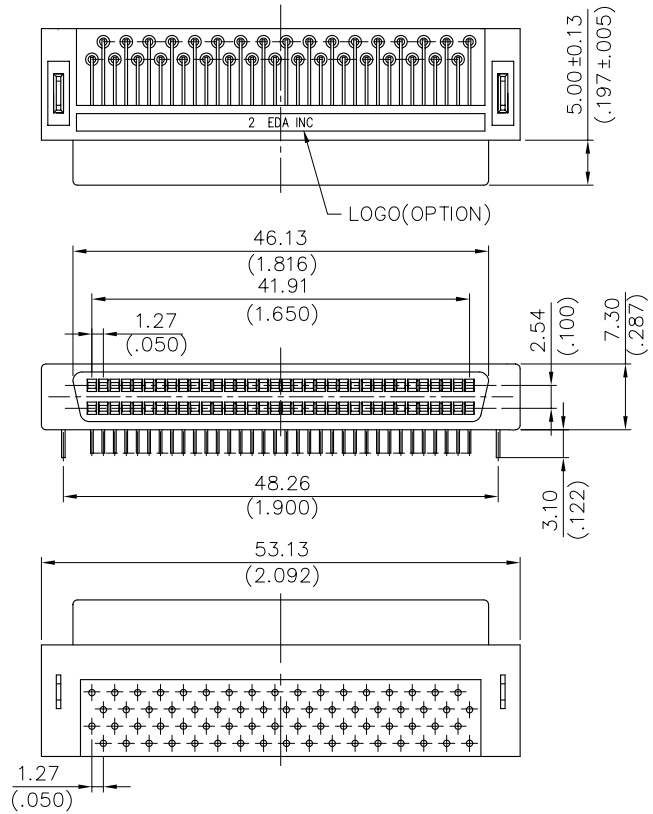
8AL 068 S - 3 \* 5 \* 1 - (10)  
 (1) (2) (3) (4) (5) (6) (7) (8) (9)

- |   |   |              |                |                |            |                |            |                |         |                |            |                |            |                |         |                 |             |                 |         |
|---|---|--------------|----------------|----------------|------------|----------------|------------|----------------|---------|----------------|------------|----------------|------------|----------------|---------|-----------------|-------------|-----------------|---------|
| <p>1. SERIES NUMBER :<br/>8AL : HIGH DENSITY 1.27(.050") SPACING MINI CONNECTOR R/A P.C.B. TYPE</p> <p>2. NO OF CONTACTS :<br/>EX 068 : 68 POSITIONS</p> <p>3. CONTACT TYPE :<br/>S : SOCKET</p> <p>4. COLOR (INSULATOR)<br/>3 : BLACK</p> <p>5. CONTACT FINISH :<br/>0 : SELECTED GOLD FLASH OVER 30μ" NICKEL<br/>2 : 15μ" SELECTED GOLD OVER 50μ" NICKEL<br/>3 : 30μ" SELECTED GOLD OVER 50μ" NICKEL<br/>C : 5μ" SELECTED GOLD OVER 50μ" NICKEL</p> <p>6. METAL SHELL FINISH :<br/>4 : TIN PLATED SHELL, WITHOUT GROUNDING INDENTS<br/>5 : NICKEL PLATED SHELL, WITHOUT GROUNDING INDENTS</p> | <p>7. SCREW TYPE :</p> <table border="0"> <tr> <td>MATING HOLES</td> <td>MOUNTING HOLES</td> </tr> <tr> <td>A : 4 - 40 UNC</td> <td>4 - 40 UNC</td> </tr> <tr> <td>B : 4 - 40 UNC</td> <td>2 - 56 UNC</td> </tr> <tr> <td>C : 4 - 40 UNC</td> <td>HARPOON</td> </tr> <tr> <td>D : 2 - 56 UNC</td> <td>2 - 56 UNC</td> </tr> <tr> <td>E : 2 - 56 UNC</td> <td>4 - 40 UNC</td> </tr> <tr> <td>F : 2 - 56 UNC</td> <td>HARPOON</td> </tr> <tr> <td>G : M2.6 * 0.45</td> <td>M2.6 * 0.45</td> </tr> <tr> <td>H : M2.6 * 0.45</td> <td>HARPOON</td> </tr> </table> <p>8. BRACKET TYPE :<br/>1 : WITHOUT RAILS, WITH LATCH BLOCKS</p> <p>9. SUFFIX NUMBER :<br/>10: EDA LOGO,VERTICAL HARPOON<br/>NONE: WITHOUT EDA LOGO,VERTICAL HARPOON</p> | MATING HOLES | MOUNTING HOLES | A : 4 - 40 UNC | 4 - 40 UNC | B : 4 - 40 UNC | 2 - 56 UNC | C : 4 - 40 UNC | HARPOON | D : 2 - 56 UNC | 2 - 56 UNC | E : 2 - 56 UNC | 4 - 40 UNC | F : 2 - 56 UNC | HARPOON | G : M2.6 * 0.45 | M2.6 * 0.45 | H : M2.6 * 0.45 | HARPOON |
| MATING HOLES  | MOUNTING HOLES  |              |                |                |            |                |            |                |         |                |            |                |            |                |         |                 |             |                 |         |
| A : 4 - 40 UNC  | 4 - 40 UNC  |              |                |                |            |                |            |                |         |                |            |                |            |                |         |                 |             |                 |         |
| B : 4 - 40 UNC  | 2 - 56 UNC  |              |                |                |            |                |            |                |         |                |            |                |            |                |         |                 |             |                 |         |
| C : 4 - 40 UNC  | HARPOON   |              |                |                |            |                |            |                |         |                |            |                |            |                |         |                 |             |                 |         |
| D : 2 - 56 UNC  | 2 - 56 UNC  |              |                |                |            |                |            |                |         |                |            |                |            |                |         |                 |             |                 |         |
| E : 2 - 56 UNC  | 4 - 40 UNC  |              |                |                |            |                |            |                |         |                |            |                |            |                |         |                 |             |                 |         |
| F : 2 - 56 UNC  | HARPOON   |              |                |                |            |                |            |                |         |                |            |                |            |                |         |                 |             |                 |         |
| G : M2.6 * 0.45   | M2.6 * 0.45   |              |                |                |            |                |            |                |         |                |            |                |            |                |         |                 |             |                 |         |
| H : M2.6 * 0.45   | HARPOON   |              |                |                |            |                |            |                |         |                |            |                |            |                |         |                 |             |                 |         |

63.88 (2.515)	57.91 (2.280)	53.72 (2.114)	46.13 (1.816)	41.91 (1.650)	68	8AL068S
E	D	C	B ± 0.25 (.010)	A ± 0.13 (.005)	NO.OF POSITION	PART NO.

MATERIAL	TOLERANCE UNSPECIFIED .0 0 0 ± 0.13(.005) .0 0 ± 0.25(.010) .0 ± 0.38(.015) ANGLE ± 1°			SCALE	UNIT
				FREE	mm(inch)
FINISH	DRAWN MWLin 8/8-'06	NAME 8AL SERIES 1.27(.050) SCSI-II H.D. R/A P.C.B. TYPE CONNECTOR		SHEET	
	DESIGNER# MWLin			1/1	
	CHECKED Peterhu			REV. 1	
APPROVED John	DRAWING NO.	R-S18AL-C			

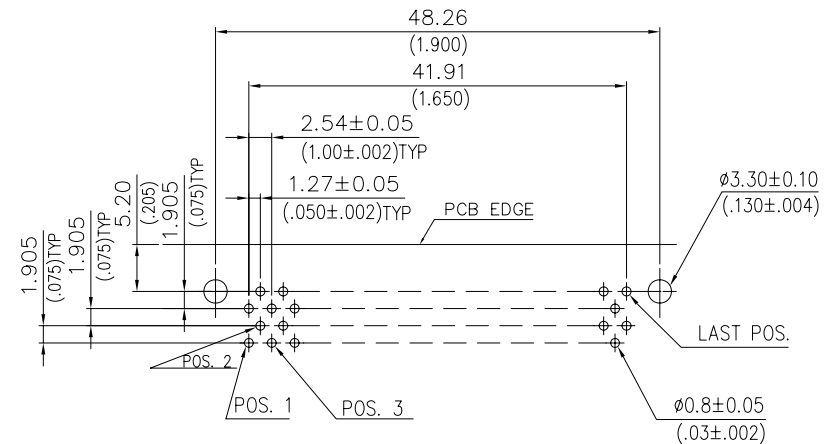
REV.	ZONE	LTR	DESCRIPTION	DATE	REVISER	APPD
2	D1	△	RENEW DRAWING	8/4-06	MWLin	



SPECIFICATION :

- HOUSING MATERIAL : LCP WITH GLASS-FIBER REINFORCED UL 94V-0
- CONTACT MATERIAL : PHOSPHOR BRONZE , GOLD OVER NICKEL
- RATED CURRENT : 1A
- INSULATION RESISTANCE : 500MΩ MIN.
- CONTACT RESISTANCE : 35mΩ MAX.
- DIELECTRIC WITHSTANDING VOLTAGE : AC 500V FOR 1 MINUTE.
- OPERATING TEMPERATURE : -25°C - +85°C.

CONNECTOR MATING SIDE



RECOMMENDED P.C.B. HOLE PATTERN

△ ORDERING INFORMATION:

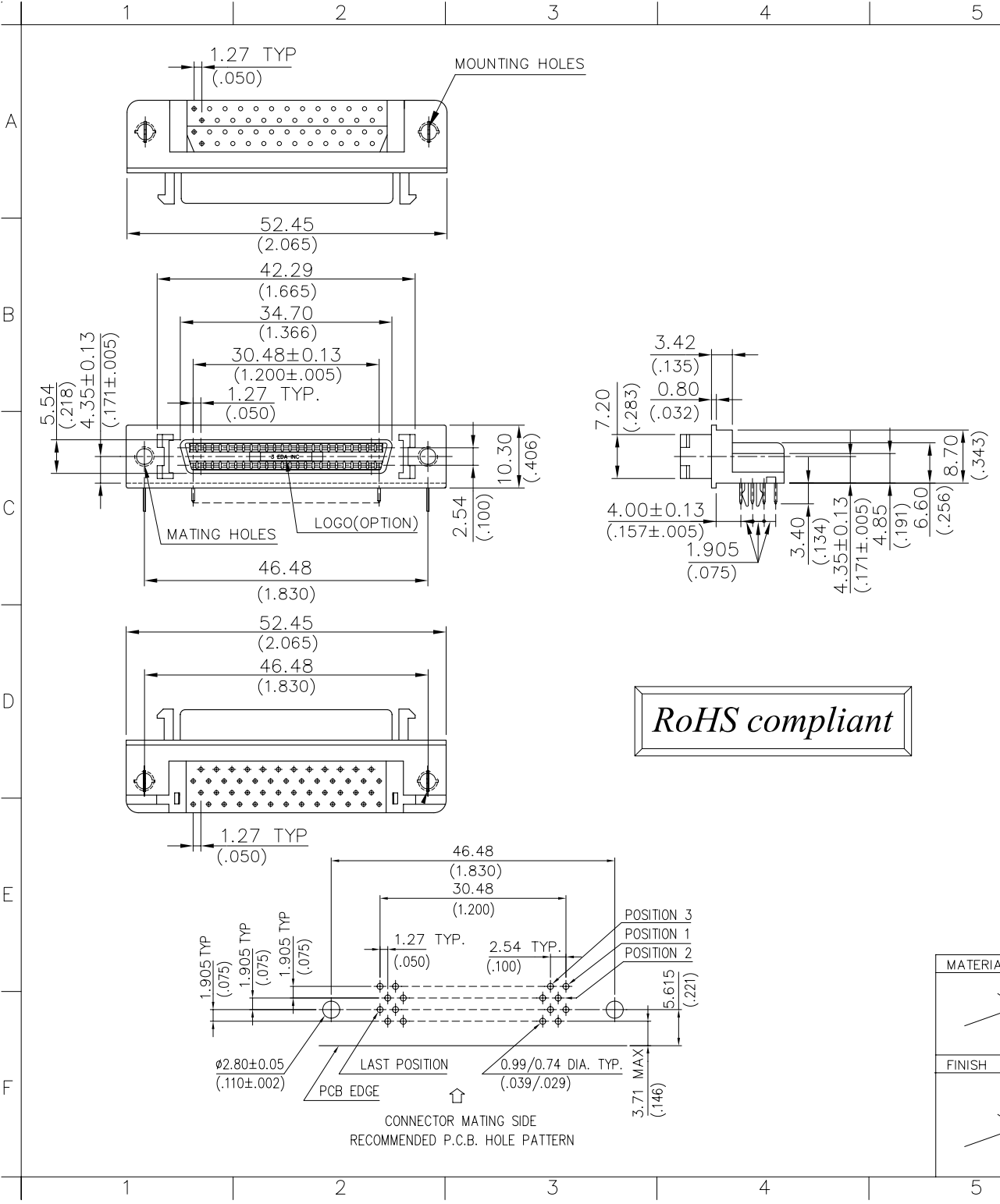
8AL 068 S - 3 3 0 J 0 - AH  
 (1) (2) (3) (4) (5) (6) (7) (8) (9)

RoHS compliant

- SERIES NUMBER :  
8AL : HIGH DENSITY 1.27(.050") SPACING MINI CONNECTOR R/A P.C.B. TYPE
- NO OF CONTACTS :  
EX 068 : 68 POSITIONS
- CONTACT TYPE :  
S : SOCKET
- COLOR (HOUSING)  
3 : BLACK
- CONTACT FINISH :  
0 : SELECTIVE GOLD FLASH OVER 30μ" NICKEL  
2 : 15μ" SELECTIVE GOLD OVER 50μ" NICKEL  
3 : 30μ" SELECTIVE GOLD OVER 50μ" NICKEL
- METAL SHELL FINISH :  
0 : ALL PLASTIC TYPE
- SCREW TYPE :  
MATING HOLES MOUNTING HOLES  
J : NON HARPOON
- BRACKET TYPE :  
0 : WITHOUT BRACKET
- SUFFIX NUMBER :  
AH: EDA LOGO,INSULATION MATERIAL:  
LCP WITH GLASS-FIBER  
AR: WITHOUT EDA LOGO,INSULATION MATERIAL:  
LCP WITH GLASS-FIBER

MATERIAL		TOLERANCE UNSPECIFIED		PART NO.	
X		.0 0 0	± 0.13(.005)		
		.0 0	± 0.25(.010)		
FINISH		.0	± 0.38(.015)	SCALE	UNIT
		.	±	FREE	mm(inch)
DRAWN		PERRY6/27/00		NAME	
DESIGNER		PERRY6/27/00		8AL SERIES 1.27(.050)	
CHECKED		Peterhu		SCSI-II H.D. R/A 68POS.	
APPROVED		John		P.C.B. TYPE CONNECTOR	
DRAWING NO.				R-S18AL-L	
				SHEET 1/1	
				REV. 2	





REV.	ZONE	LTR	DESCRIPTION	DATE	REVISER	APPD

**SPECIFICATION :**

- HOUSING MATERIAL : PBT WITH GLASS-FIBER REINFORCED UL 94V-0
- CONTACT MATERIAL : PHOSPHOR BRONZE , GOLD OVER NICKEL
- RATED CURRENT : 1A
- INSULATION RESISTANCE : 500MΩ MIN.
- CONTACT RESISTANCE : 35mΩ MAX.
- DIELECTRIC WITHSTANDING VOLTAGE : AC 500V FOR 1 MINUTE.
- OPERATING TEMPERATURE : -25°C - +85°C.

**ORDERING INFORMATION**  
8AL 050 S-3 2 5 F 1-AL  
 (1) (2) (3) (4) (5) (6) (7) (8) (9)

- SERIES NUMBER :  
8AL : HIGH DENSITY 1.27(.050") SPACING  
MINI CONNECTOR R/A P.C.B. TYPE
- NO OF CONTACTS :  
EX 050 : 50 POSITIONS
- CONTACT TYPE :  
S : SOCKET
- COLOR (HOUSING):  
3 : BLACK
- CONTACT FINISH :  
0 : SELECTIVE GOLD FLASH OVER 30μ" NICKEL  
2 : 15μ" SELECTIVE GOLD OVER 50μ" NICKEL  
3 : 30μ" SELECTIVE GOLD OVER 50μ" NICKEL
- METAL SHELL FINISH :  
4 : TIN PLATED SHELL, WITHOUT GROUNDING INDENTS  
5 : NICKEL PLATED SHELL, WITHOUT GROUNDING INDENTS
- SCREW TYPE :  

MATING HOLES	MOUNTING HOLES
A : 4 - 40 UNC	4 - 40 UNC
B : 4 - 40 UNC	2 - 56 UNC
C : 4 - 40 UNC	HARPOON
D : 2 - 56 UNC	2 - 56 UNC
E : 2 - 56 UNC	4 - 40 UNC
F : 2 - 56 UNC	HARPOON
G : M2.6 * 0.45	M2.6 * 0.45
H : M2.6 * 0.45	HARPOON
- BRACKET TYPE :  
1 : WITHOUT RAILS , WITH LATCH BLOCKS
- SUFFIX NUMBER :  
AL : EDA LOGO ,USE NEW COVER.  
NONE : WITHOUT EDA LOGO ,USE NEW COVER.

*RoHS compliant*

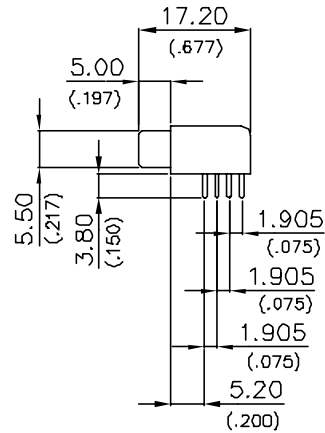
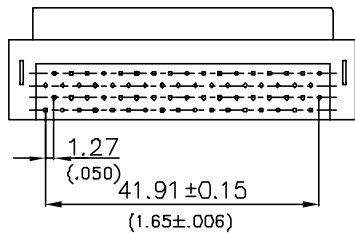
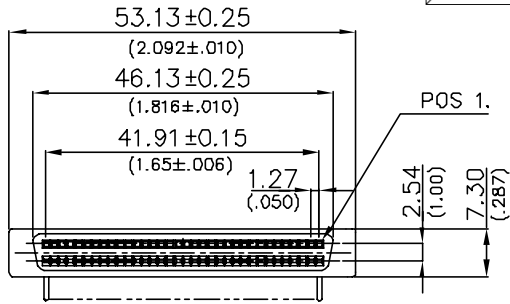
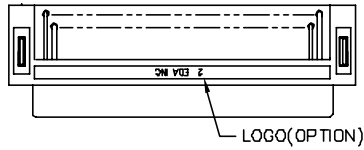
MATERIAL	TOLERANCE UNSPECIFIED	<b>FREEPORT</b>	SCALE	UNIT
	.0 0 0 ± 0.13(.005) .0 0 ± 0.25(.010) .0 ± 0.38(.015) ± ANGLE ± 1°		FREE	mm(inch)
FINISH	DRAWN	NAME	SHEET	
	DESIGNER	8AL SERIES 1.27(.050)	1 /	
	CHECKED	SCSI-II H.D. R/A 50POS.	1	
	APPROVED	P.C.B. TYPE CONNECTOR	REV.	
DRAWING NO.		R-S18AL-Q	2	

REV.	ZONE	LTR	DESCRIPTION	DATE	REVISER	APPD
2	F3	△	ADD SUFFIX NO."BE"	8/4-06	MWLin	

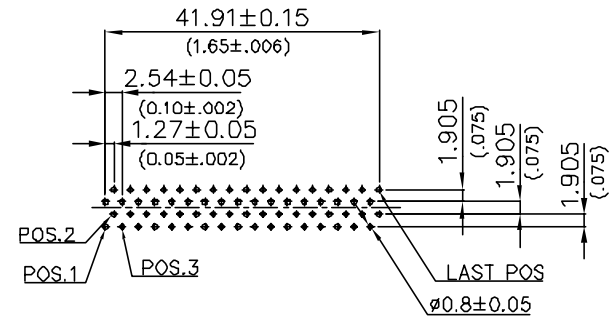
**RoHS Compliant**

**SPECIFICATIONS :**

INSULATOR MATERIAL : P.B.T & GLASS-FIBER REINFORCED  
UL 94V-0  
CONTACT MATERIAL : PHOSPHOR BRONZE , GOLD OVER NICKEL  
INSULATION RESISTANCE : 500 MΩ MIN  
CONTACT RESISTANCE : 35 mΩ MAX.  
DIELECTRIC WITHSTANDING VOLTAGE : AC 250V FOR 1 MINUTE.  
OPERATING TEMPERATURE : -25°C ~ +85°C



**CONNECTOR MATING SIDE**



**RECOMMENDED P.C.B. HOLE PATTERN  
(FOR 68 POSITION HEADERS)**

**ORDERING INFORMATION**

8AL 068 S - 3 2 0 L 0 - BC  
(1) (2) (3) (4) (5) (6) (7) (8) (9)

**1. SERIES NUMBER :**

8AL :HIGHT DENSITY 1.27(.050") SPACING MINI  
CONNECTOR R/A P.C.B ALL PLASTIC TYPE

**2. NO OF CONTACTS :**

EX 050 : 50 POSITIONS

**3. CONTACT TYPE :**

P : PLUG S : SOCKET

**4. COLOR (INSULATOR) :**

3 : BLACK

**5. CONTACT FINISH :**

0 : SELECTED GOLD FLASH OVER 30μ" NICKEL  
2 : 15μ" SELECTED GOLD OVER 50μ" NICKEL  
3 : 30μ" SELECTED GOLD OVER 50μ" NICKEL

**6. METAL SHELL FINISH :**

0 : ALL PLASTIC (W/O METAL SHELL)  
1 : TIN PLATED SHELL, WITH GROUNDING INDENTS  
4 : TIN PLATED SHELL, W/O GROUNDING INDENTS  
5 : NICKEL PLATED SHELL, W/O GROUNDING INDENTS  
6 : NICKEL PLATED SHELL, WITH GROUNDING INDENTS

**7. METAL SHELL FINISH :**

**MATING HOLES**

A : 4-40 UNC  
B : 4-40 UNC  
C : 4-40 UNC  
D : 2-56 UNC  
E : 2-56 UNC  
F : 2-56 UNC  
G : M2.6 \* 0.45  
H : M2.6 \* 0.45  
J : \_\_\_\_\_  
L : \_\_\_\_\_

**MOUNTING HOLES**

4-40 UNC  
2-56 UNC  
HARPOON  
2-56 UNC  
4-40 UNC  
HARPOON  
M2.6 \* 0.45  
HARPOON  
HARPOON  
NONE

**8. BRACKET TYPE :**

0 : W/O BRACKET

**9. SUFFIX NUMBER :**

BC : WITH EDA LOGO, WITHOUT HARPOON.  
△ BE : WITHOUT EDA LOGO AND HARPOON.

PART NO.

MATERIAL	TOLERANCE UNSPECIFIED		SCALE	UNIT	SHEET					
	.000 ±					NON	mm(inch)	1/1		
FINISH	.00 ±0.25	NAME	DRAWING NO.	REV.	8AL SERIES 1.27(.050) R/A P.C.B ALL PLASTIC TYPE					
	.0 ±0.38					MWLin 5/22-03	R-S18AL-R	2		
	ANGLE ±1°								DESIGNER	1
	DRAWN									
APPROVED	John									

A3 RS18ALR1