

MICRO SWITCH

A DIVISION OF MINNEAPOLIS-HONEYWELL REGULATOR COMPANY

FREDPORT, ILLINOIS

FED. MFR. CODE 91929

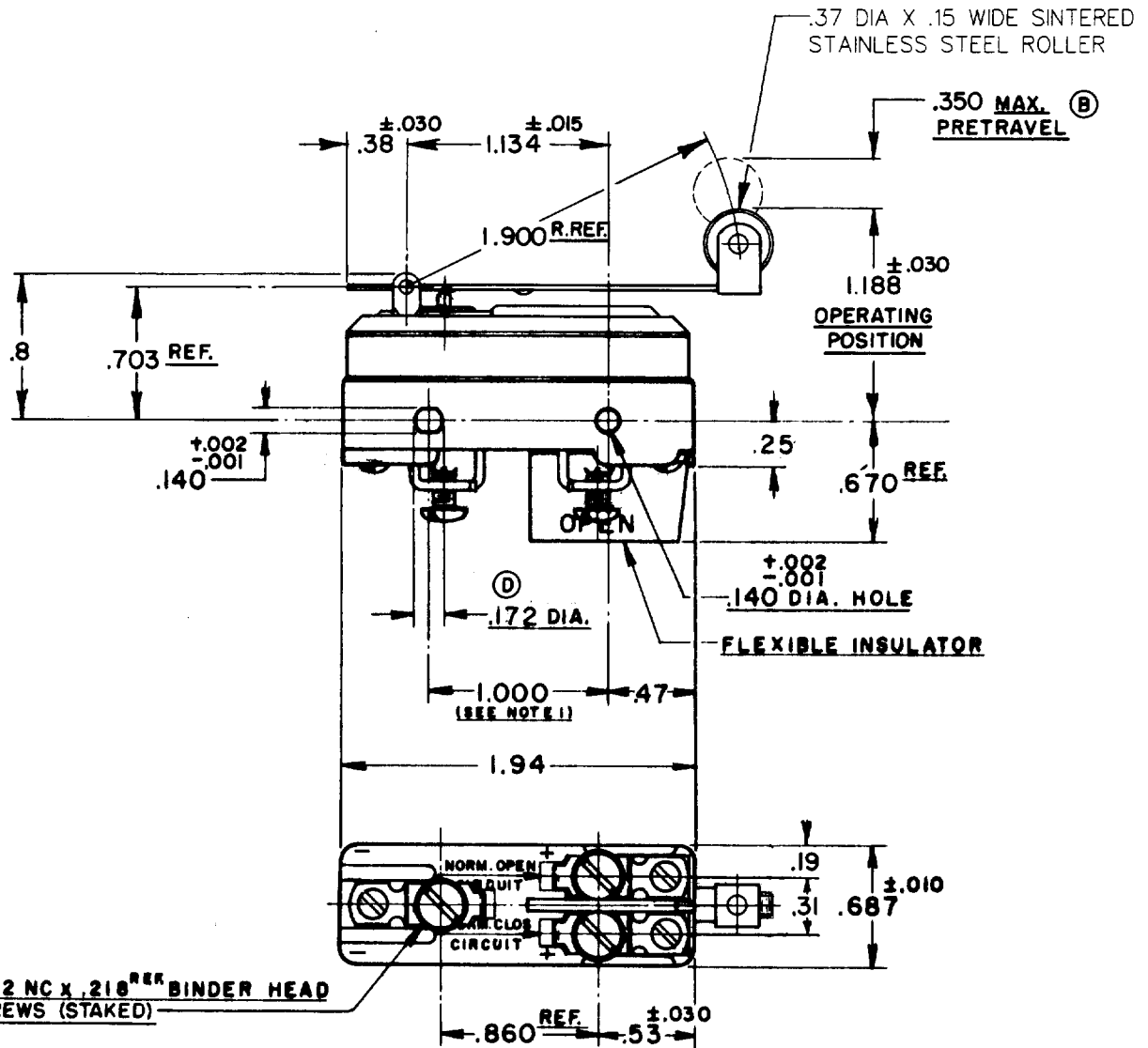
SWITCH—BASIC

CATALOG LISTING

MT-4RV2-A28

S

MT-4RV2-A28
 DRAWING NUMBER
 ISSUE
 REVISIONS
 A CORR. R. G. C. 21 OCT. 55
 B C.O.11613 N. H. L. 1 AUG. 57
 C CO12369 K. L. B. 11 DEC. 57
 D CO13960 M. B. F. 23 OCT 23
 E CO35255 D. B. W. 12 MAY 78
 F CO46819 W. J. M. 26 NOV 79
 G 75204-B S. A. V. 1 FEB 94
 RELEASE NO. SR 4650
 CHECK 4 AUG. 55
 CHECK 2 AUG. 57
 CHECK 9 AUG. 59
 CHECK 29 JULY 55
 DRAWN 74-96
 H A P.



NOTE-

- 1- MOUNTING HOLES WILL ACCEPT PINS OR SCREWS OF .139 MAX. DIA. ON 1.000^{±.008} CENTERS
- 2- FOR BEST RESULTS EITHER POLARIZE THE SWITCH WITH THE COMMON TERMINAL WIRED IN NEGATIVE POLARITY OR MOUNT THE SWITCH WITH BRASS SCREWS AND SPACE AT LEAST .250 AWAY FROM MAGNETIC MATERIALS.

THIS DRAWING COVERS A PROPRIETARY ITEM AND IS THE PROPERTY OF MICRO SWITCH, A DIVISION OF HONEYWELL. THIS DRAWING IS NOT TO BE COPIED OR USED WITHOUT THE APPROVAL OF MICRO SWITCH.

CHARACTERISTICS	ELECTRICAL DATA	SCALE FULL
OPERATING FORCE-----2 3/4 OZ. MAX. (A)	CONTACT ARRANGEMENT S. P. D. T.	DO NOT SCALE PRINT
RELEASE FORCE-----1/4 OZ. MIN. (A)	NON-POLARIZED VOLTS D-C 125 250 MOTOR 1/4 HP + RESISTIVE 10 AMPS 1.9 TO 3.0*	UNLESS OTHERWISE SPECIFIED DIMENSIONS ARE IN INCHES
DIFFERENTIAL TRAVEL-----.065 MAX.	POLARIZED OR NON-MAGNETICALLY MOUNTED VOLTS D-C 125 250 MOTOR 1/2 HP + RESISTIVE 10 AMPS 1.9 TO 3.0*	TOLERANCES ARE:
OVERTRAVEL-----.031 MIN.	* NOT SUITABLE FOR USE AT LESS THAN 1.5 AMPS + WILL NOT BREAK LOCKED ROTOR CURRENT	ONE PLACE (.0) ±.030 TWO PLACE (.00) ±.015 THREE PLACE (.000) ±.008 ANGLES ±
	UND. LAB. INC. LISTED RATING (NON-POLARIZED) (C) -L199- 10 A-125 VDC OR AC; 1/4 HP-125 VDC OR AC	WEIGHT