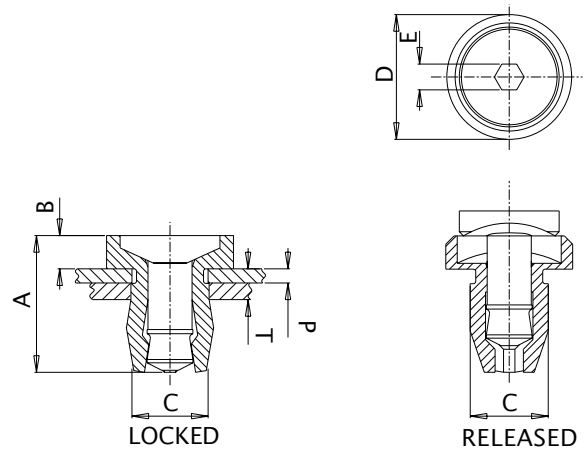
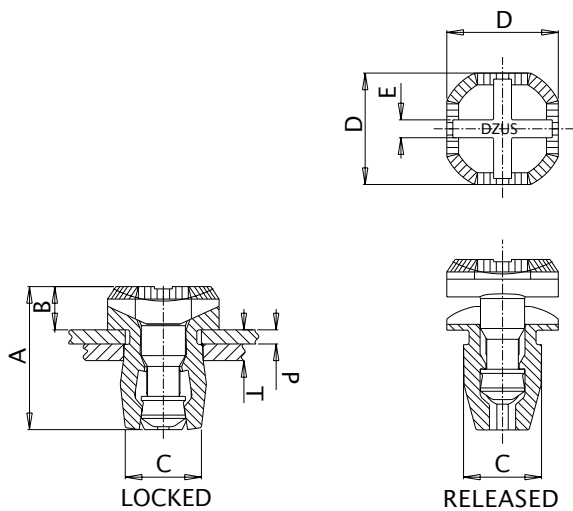


Similar in action to the Pilot fastener, with push to lock, quarter turn to open, this assembly is manufactured in plastic for use on light loaded access panels. Both stud and receptacle are retained in the top panel, when the assembly is undone. On re-assembly the fastener receptacle is located in the prepared hole and a gentle push on the stud head operates the fastener, expanding the legs of the receptacle into the support hole.

Part No.	Colour	Headstyle
2001-010 Assy	BLACK	SLOTTED
2001-001 Assy	WHITE	SLOTTED
200201-010 Stud	BLACK	HEX. RECESS
200202-010 Rec	BLACK	-

TYPE 2001 Assembly

TYPE 2002



Type 2001 and 2002

Recommended maximum axial load : 50N (11lbf)

Ultimate axial load : 250N (56lbf)

Recommended maximum shear load : 125N (28lbf)

Ultimate shear load : 625N (140lbf)

Hole misalignment : $\pm 0,5\text{mm}$ (,020in)

Recommended operating

temperature range : -20° to $+80^{\circ}\text{C}$

INSTALLATION PROCEDURE

Push receptacle into front of panel.

Locate the panel and support together then break off the stud and press it firmly into the receptacle. This will expand the receptacle legs, locking the panel and support together.

The stud and receptacle are now permanently retained in panel.

To open, turn stud head 90° and stud with receptacle will withdraw from the support.

N.B. Type 2002 supplied as separate components.

		TYPE 2001	TYPE 2002
T	MAX	5,0	5,0
	MIN	2,0	2,0
P	MAX	1,7	1,7
	MIN	0,5	0,5
PANEL MOUNTING HOLE	MAX	□ 9,2	□ 9,2
	MIN	□ 9,1	□ 9,1
SUPPORT MOUNTING HOLE	MAX	□ 9,6	□ 9,6
	MIN	□ 9,5	□ 9,5
A		17,2	16,0
B		5,2	4,0
C		9,5	9,5
D		13,4	∅15,25
E		2,1	3,0A/F