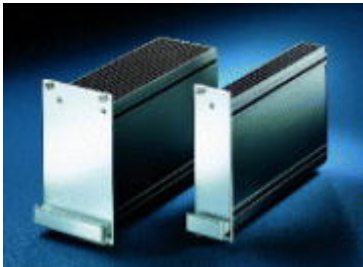


HF plug-in unit kit



Article number: 20809-536

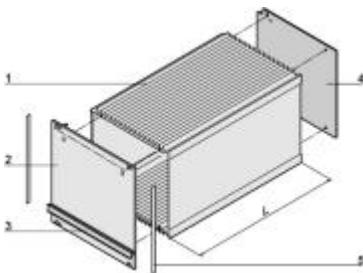
- With high shielding against high-frequency radiation
- Frame-type plug-in units to hold printed boards in HP grid
- All-round closed frame-type plug-in unit frame with cooling fins

Delivery quantity: kit

Technical data

HF plug-in unit	Thermal resistance K/W	
HP	L = 167 mm	L = 227 mm
7	1.68	1.51
10	1.62	1.46
12	1.56	1.40
14	1.50	1.35
21	1.06	0.95
28	0.94	0.85

Item	Qty	Description
1	1	Body tube, aluminium extrusion, black anodised, cut edges clean
2	1	Front panel with slot for EMC contact strips, alignment pin pressed in, 2.5 mm aluminium, front anodised, rear yellow chromated
3	1	Plastic handle, PPE, grey. Identification plate, aluminium anodised, cut edges clean
4	1	Rear panel, 1.5 mm aluminium, oxidised without cut-out
5	2	EMC contact strips, stainless steel
6	1	Assembly kit



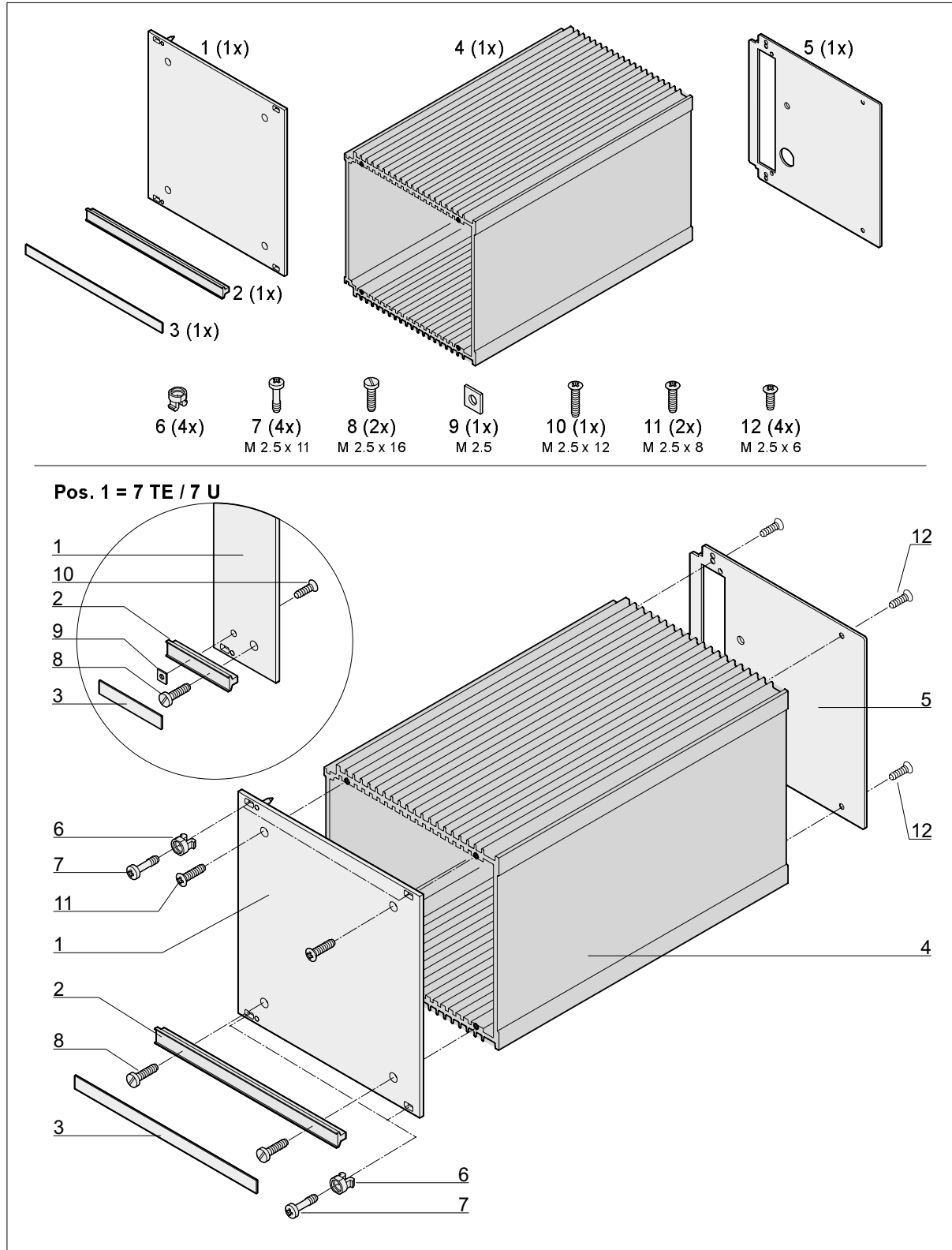
Technical data:

Height	Width	L
3 U	7 HP	227 mm

**Montageanweisung
HF-Kassetten**

**Assembly instructions
Plug in units**

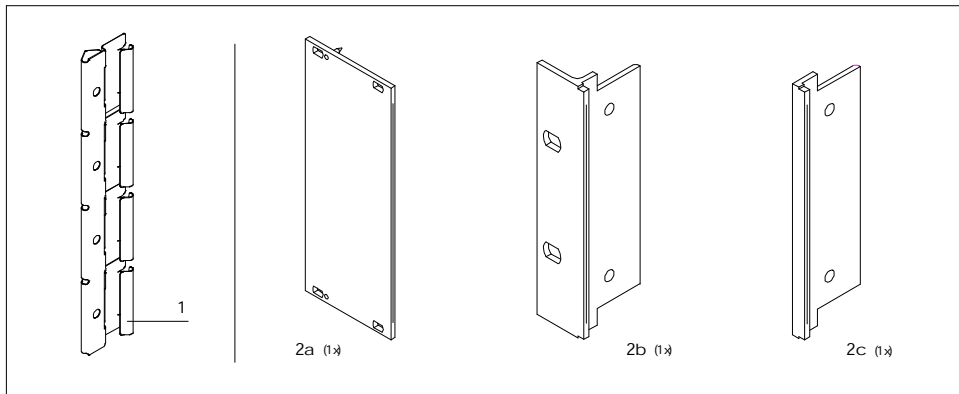
**Instructions de montage
Composants de cassettes**



**Montageanweisung
Schlitz-Kontaktstreifen**

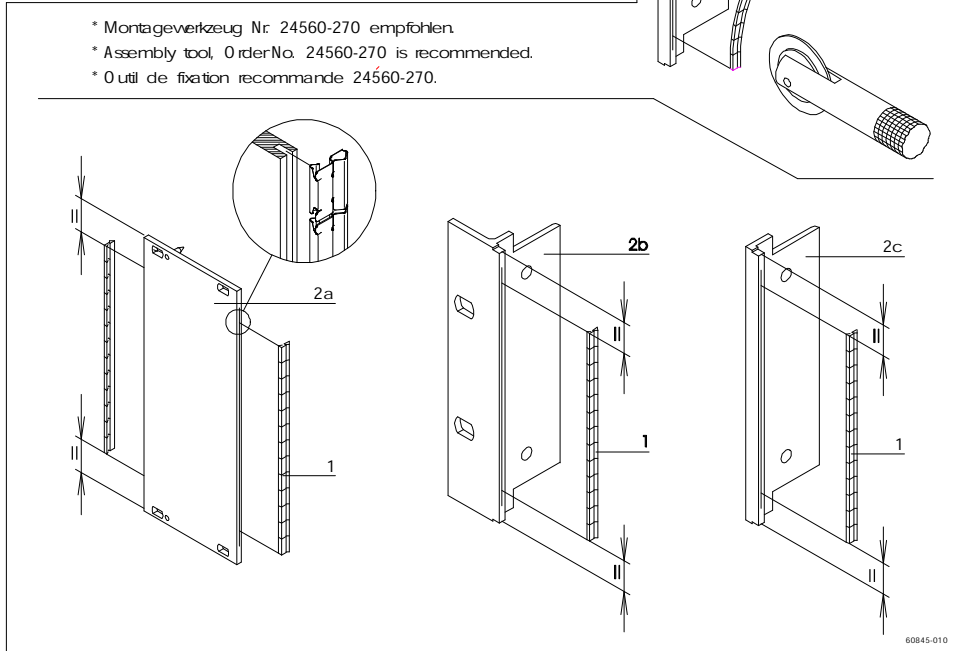
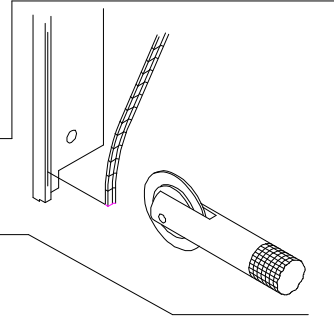
**Assembly instructions
Contact strip**

**Instructions de montage
Des joints HF en rainures**



Pos	Item	Rep.
1	2*	
2x	a	
1x	b	
	c	

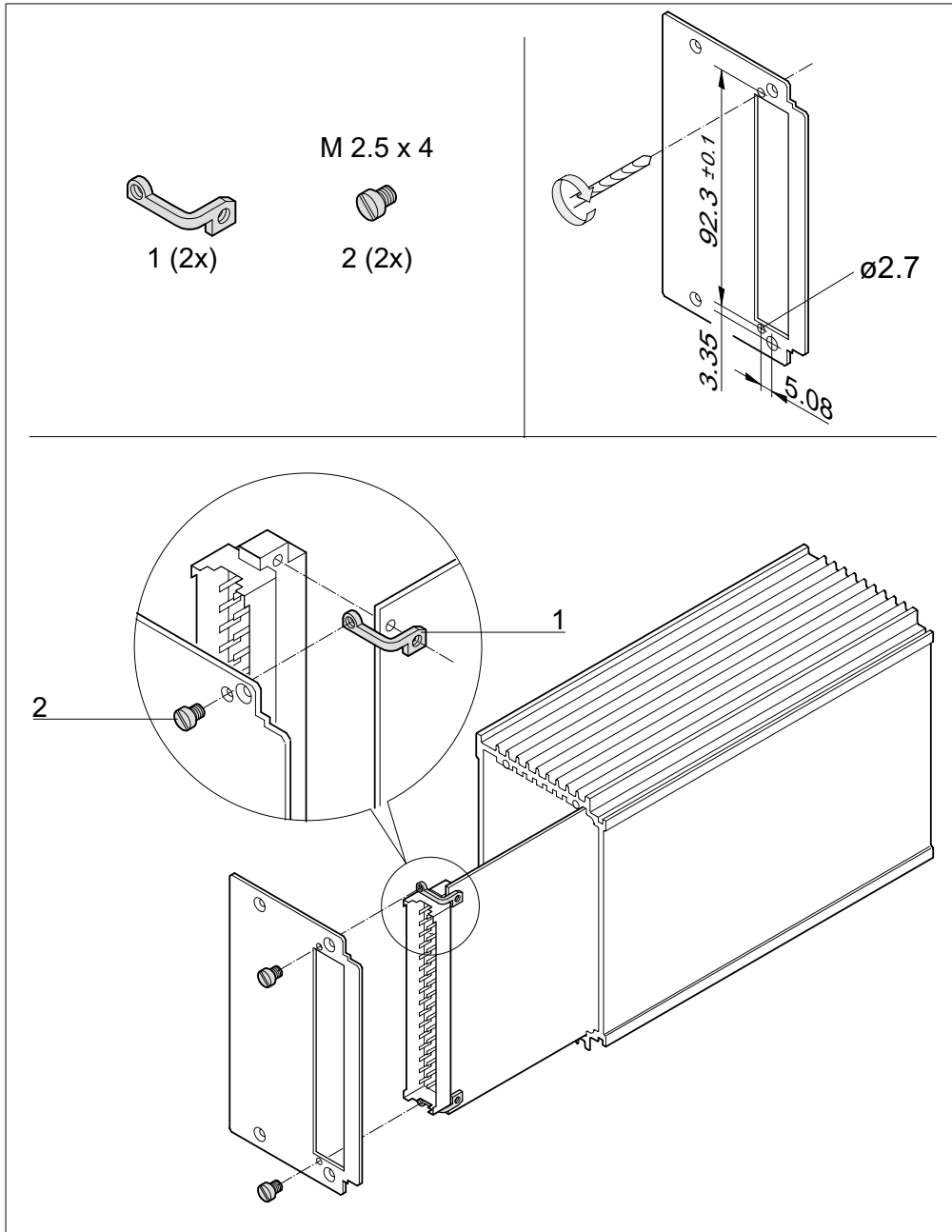
* Pos 2 ist im Lieferumfang nicht enthalten.
* Item 2 is not supplied.
* Rep. 2 non compris dans la livraison.



Montageanweisung
Befestigungswinkel
für Leiterplatten

Assembly instructions
mounting bracket fo
printed circuit boards

Instructions de montage
équerre de fixation
pour cartes



60809-086 Rev. 000