

# REFRIGERATION CONTROLLERS

## PJ32 easy compact CONTROLLER



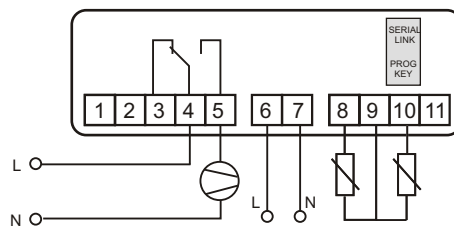
- 1 OR 2 NTC Thermistor inputs
- 230Vac power supply
- Single 16A or 2HP relay output
- Front panel mounting system with IP65 rating
- Fast set up using preset configuration or programme key

These controllers are designed specifically for applications where the space available is limited. The depth of the controller behind the panel is only 31mm, while still featuring a relay output rated at 16A or 2HP and up to 2 NTC sensor inputs.

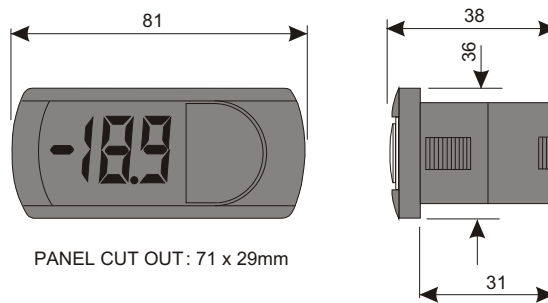
### SPECIFICATION

Supply voltage : 12Vac, 110Vac or 230Vac 50/60Hz  
 Power drain : 1.5VA  
 Sensor options : NTC 10K@25°C  
 Scale range : -10 to +50°C  
 Accuracy : NTC +/-1°C.  
 Outputs : OP1 : 2HP SPDT relay (8A and 16A available)  
           OP2 : 8A SPST relay  
           OP3 : 8A SPST relay  
 Ambient range: -10 to 50°C <90% rH non-condensing  
 Weight: 120gms

### CONNECTION DIAGRAM



### DIMENSIONS



### STANDARD ITEMS

Model	Supply	NTC Inputs			Outputs				Features		
		Control	defrost	Probe3/DI	Comp	defrost	Fan	Aux	Clock	Serial OP	Buzzer
PJEZMNN0E0	230Vac	x	-	-	-	-	-	-	-	-	-
PJEZSNP0E0	230Vac	x	-	-	16A	-	-	-	-	-	-
PJEZSNP010	230Vac	x	x	-	16A	-	-	-	-	x	-
PJEZSNP000	230Vac	x	x	-	16A	-	-	-	-	x	-
PJEZSNH0E0	230Vac	x	-	-	2HP	-	-	-	-	-	-
PJEZSNH010	230Vac	x	x	-	2HP	-	-	-	-	x	-
PJEZSNH000	230Vac	x	x	-	2HP	-	-	-	-	x	-