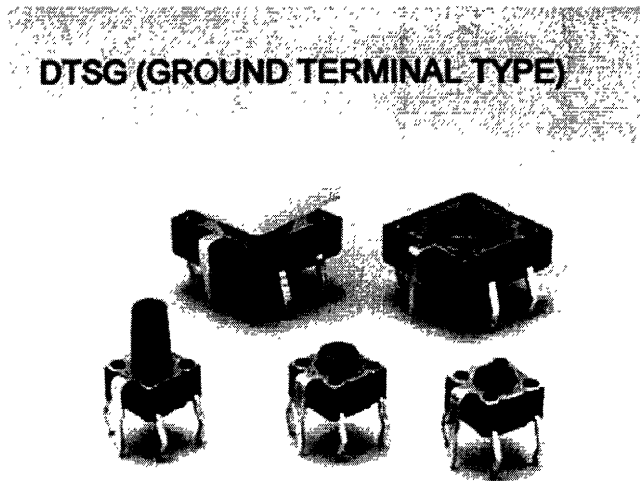
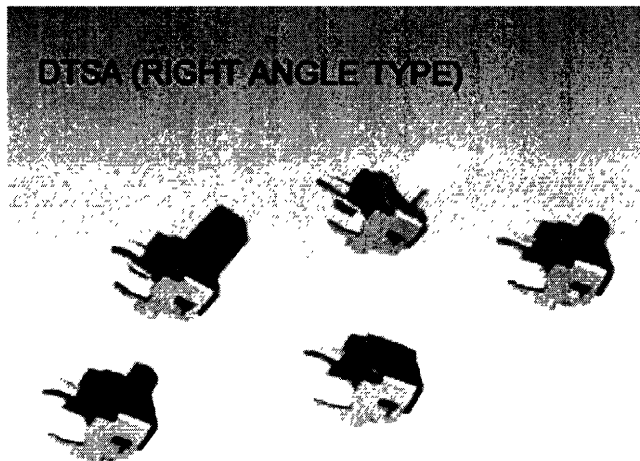


Products

■ *DIP SWITCH*

▣ *TACT SWITCH*

- *DTSA (RIGHT ANGLE TYPE),
DTSG(GROUND TERMINAL YYPE)
SERIES TACTILE SWITCH
MECHANICAL CONTACT TYPE
(OR SQUARE HEAD WITH CAP)*



● FEATURES

1. Available sharp click feel with a positive tactile feedback. Due to small movement distance (stroke), user experiences distinct sensation when the switch "clicks" into place.
2. Ultraminiature and light weight structure suitable for high density mounting. Economic but high reliability.
3. Insert molding in the contact with special treatment prevents flux build up during soldering and permits

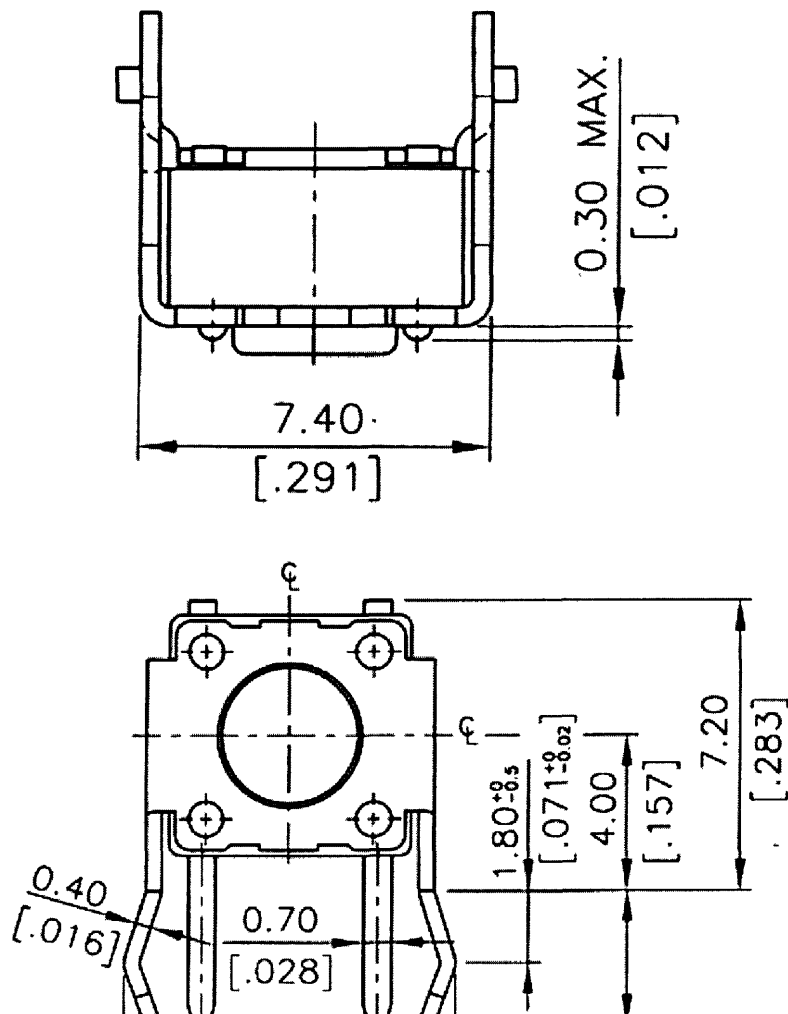
prevents flux build-up during soldering and permits auto-dipping.

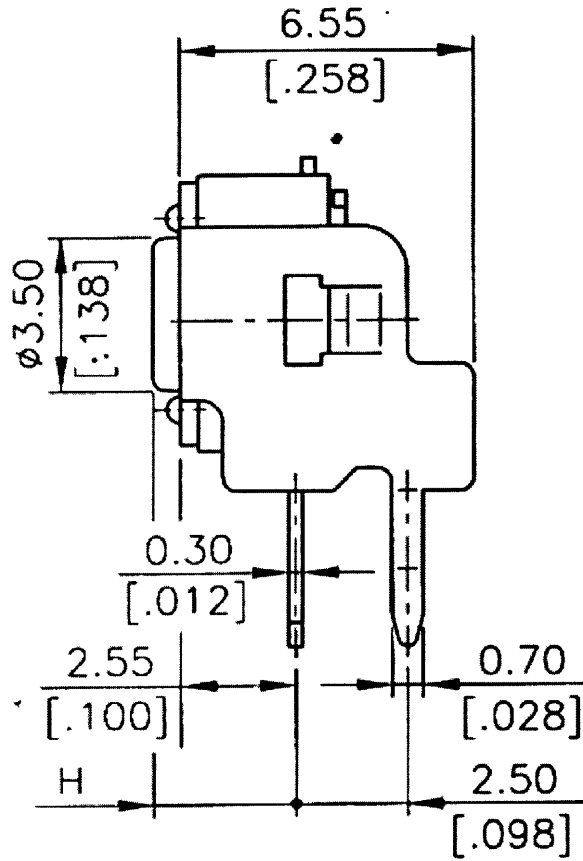
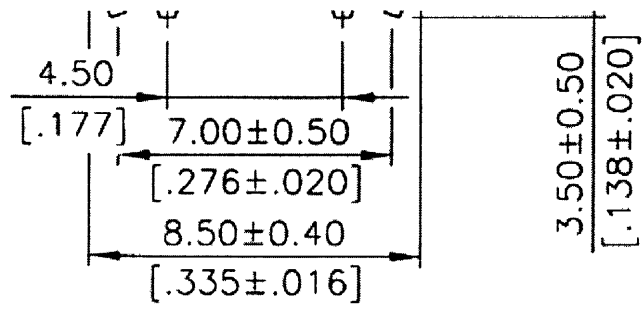
● MATERIALS

- △ COVER: Steel, Tin plated.
- △ BASE: UL94V-O Nylon Thermoplastic. Color: Black.
- △ STEM: UL94V-O Nylon Thermoplastic. Color: Blue(70gf), Black (100gf), Brown (160gf), Red (260gf), Salmon(320gf), Yellow (520gf).
- △ CONTACT DISC: Phosphor bronze with silver cladding.
- △ TERMINAL: Brass with silver cladding.
- △ CAP: Thermoplastic ABS.

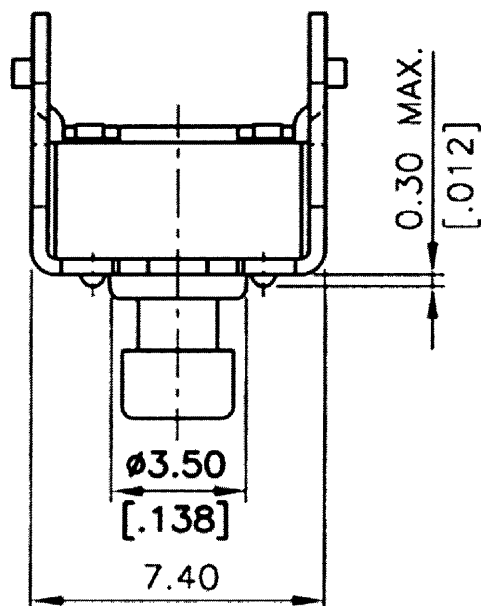
◆ DIMENSIONS

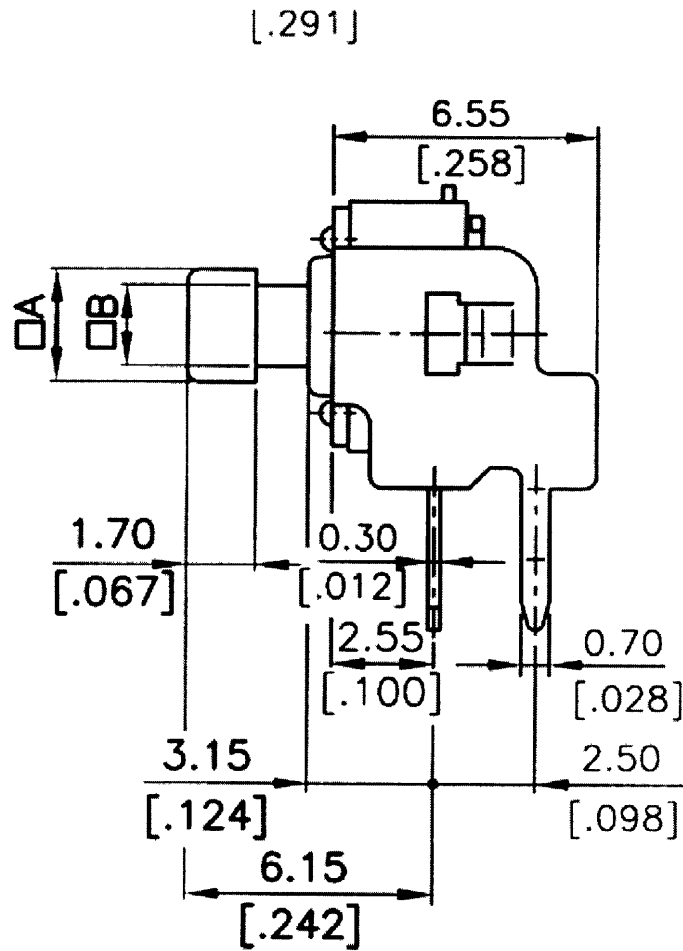
DTSA-6



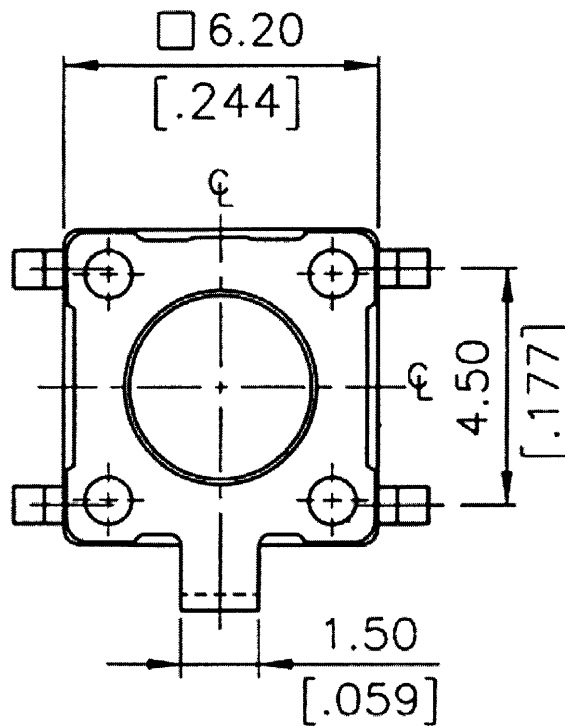


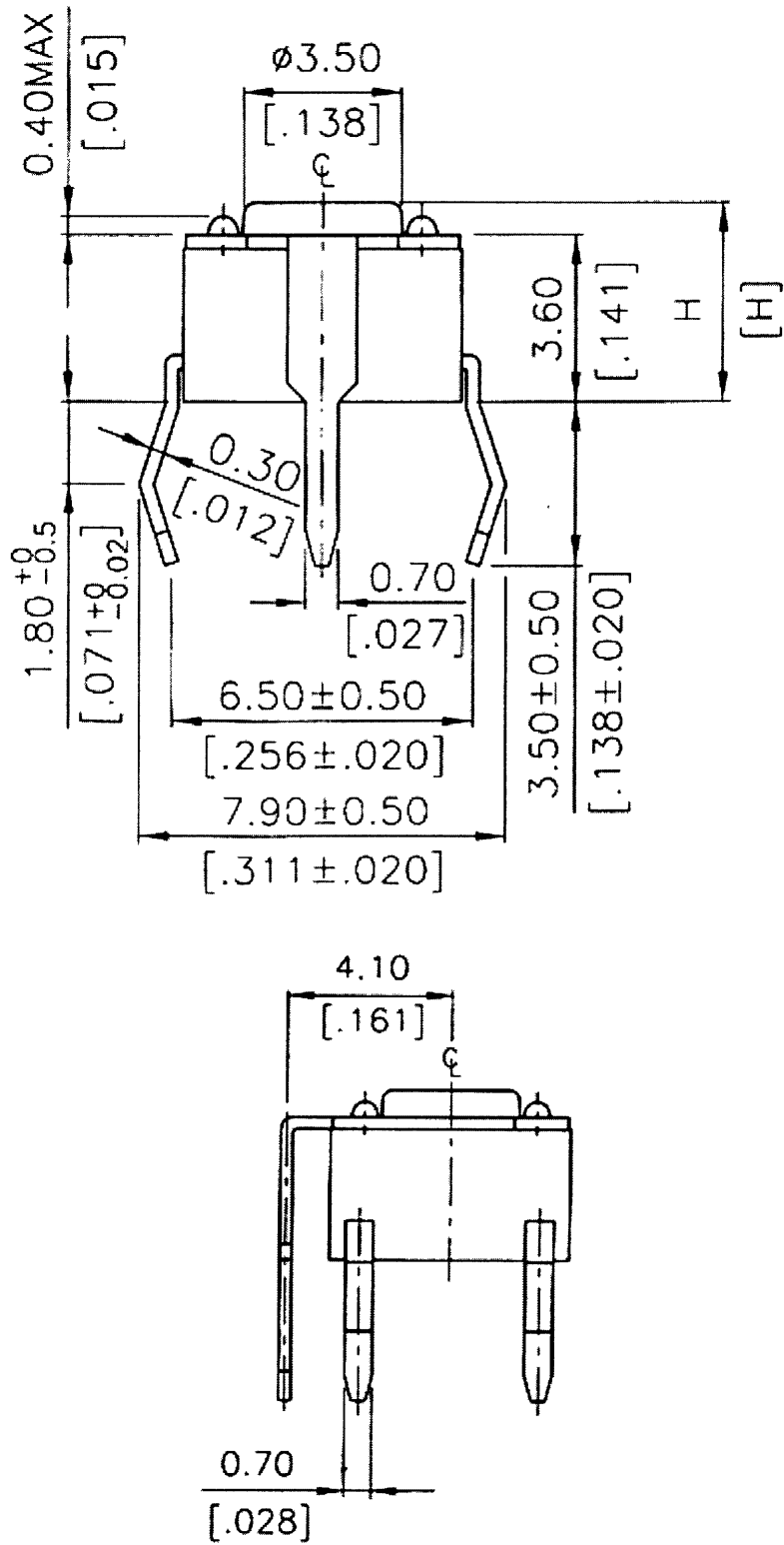
DTSA-64



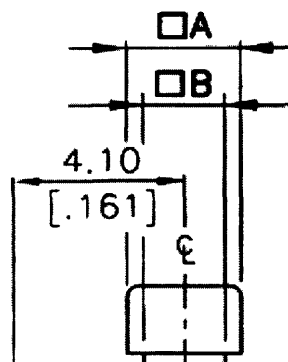
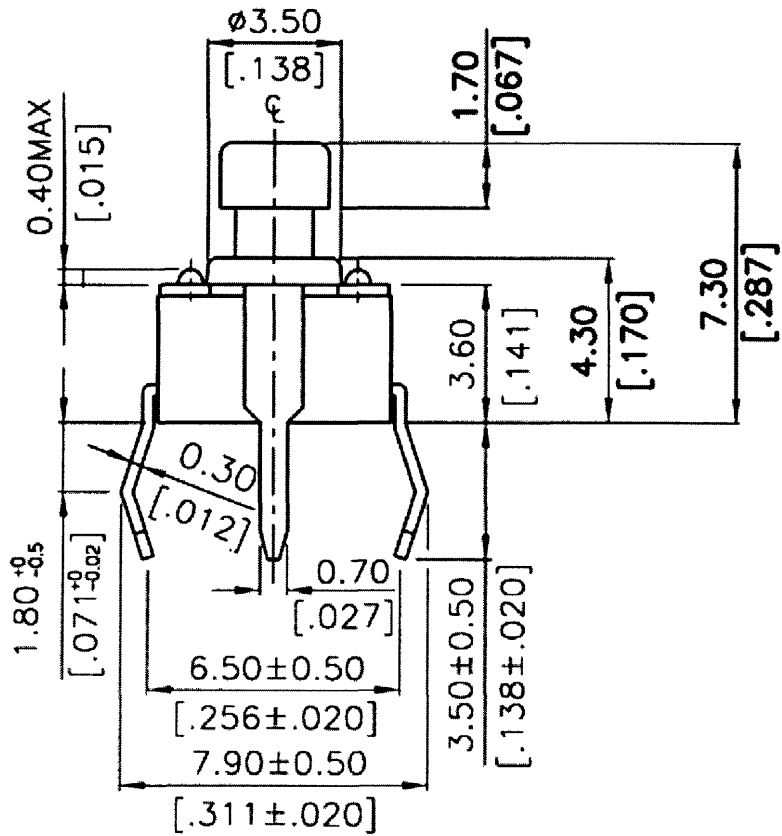
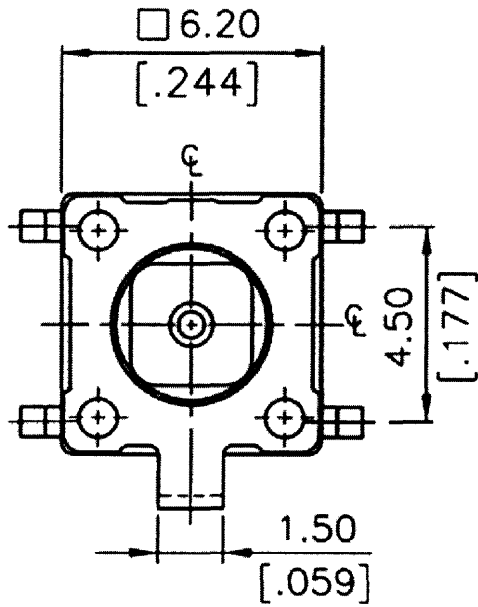


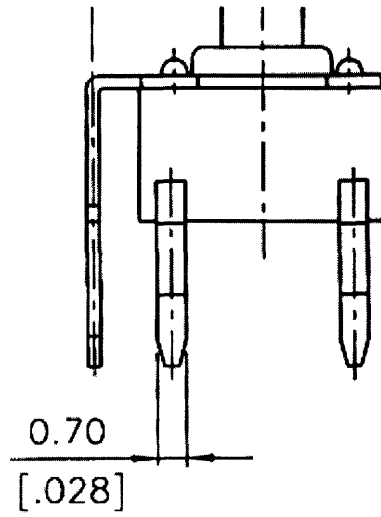
DTSG-6



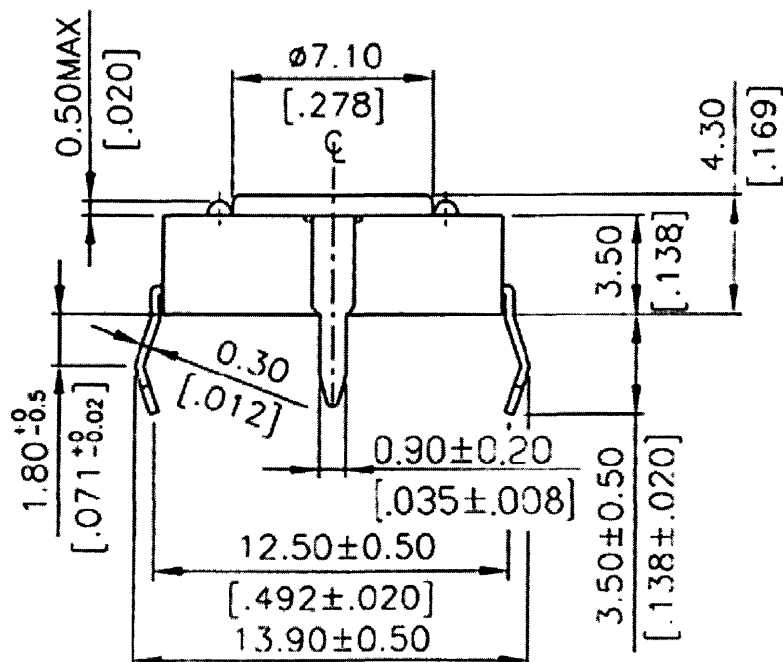
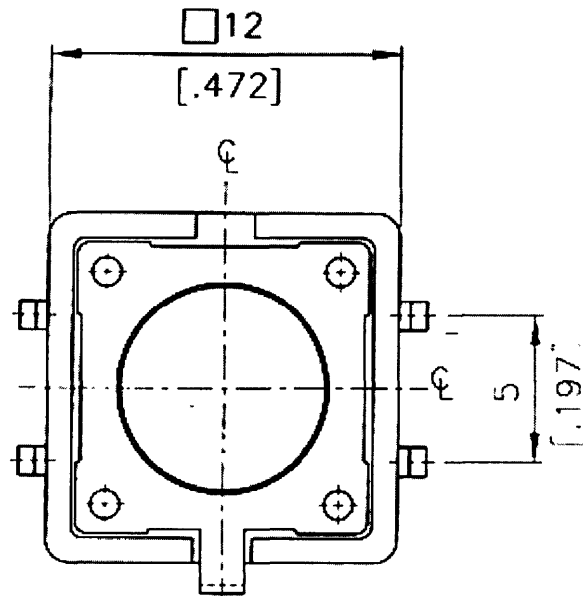


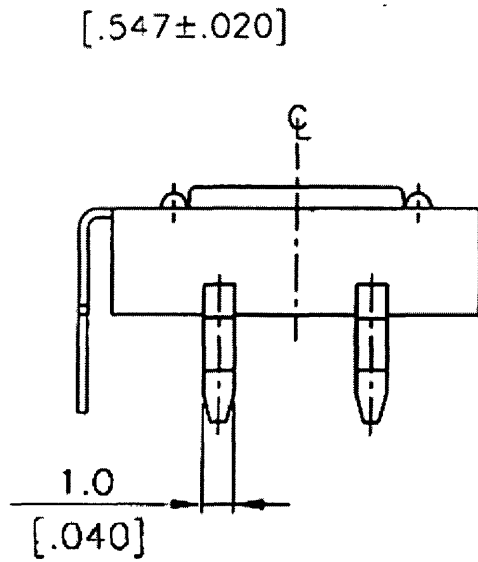
DTSG-64



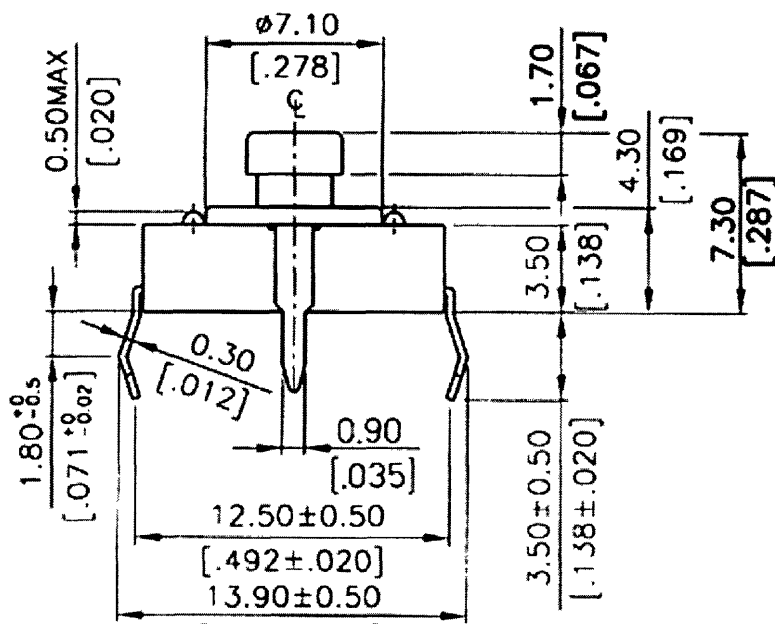
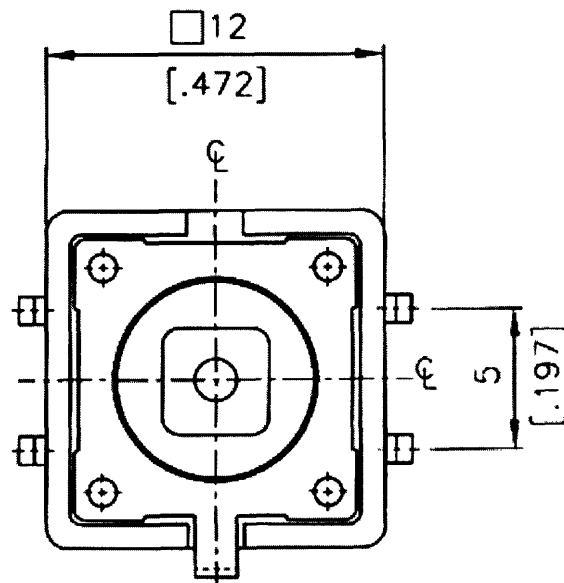


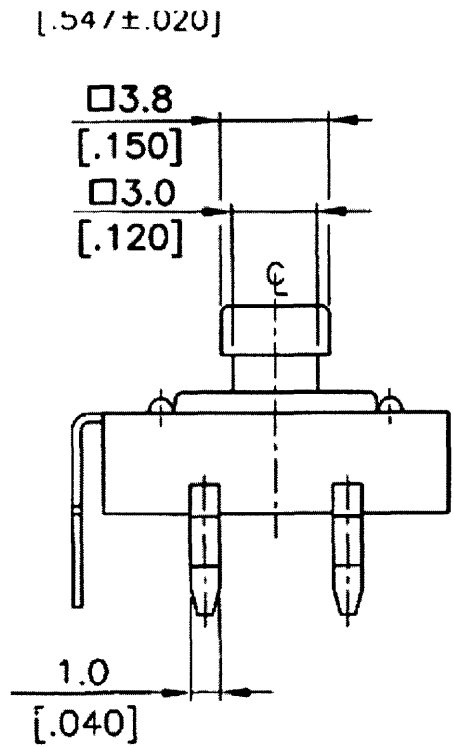
DTSG-21



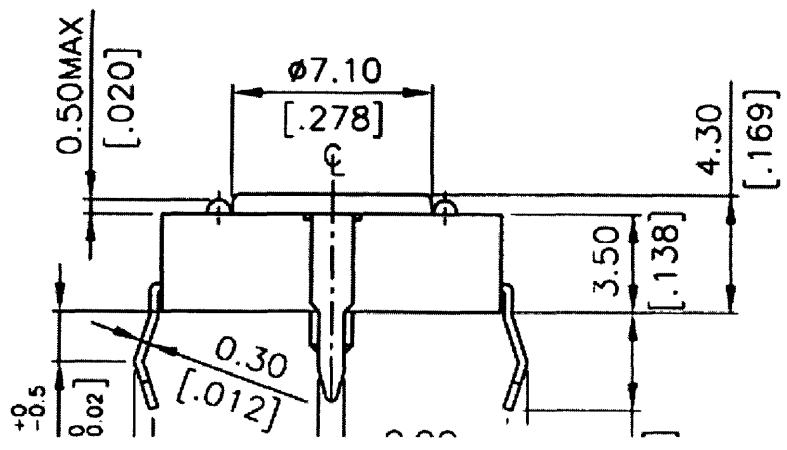
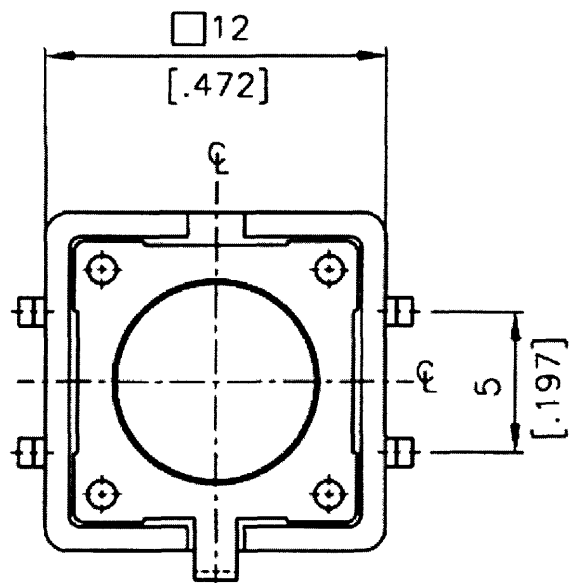


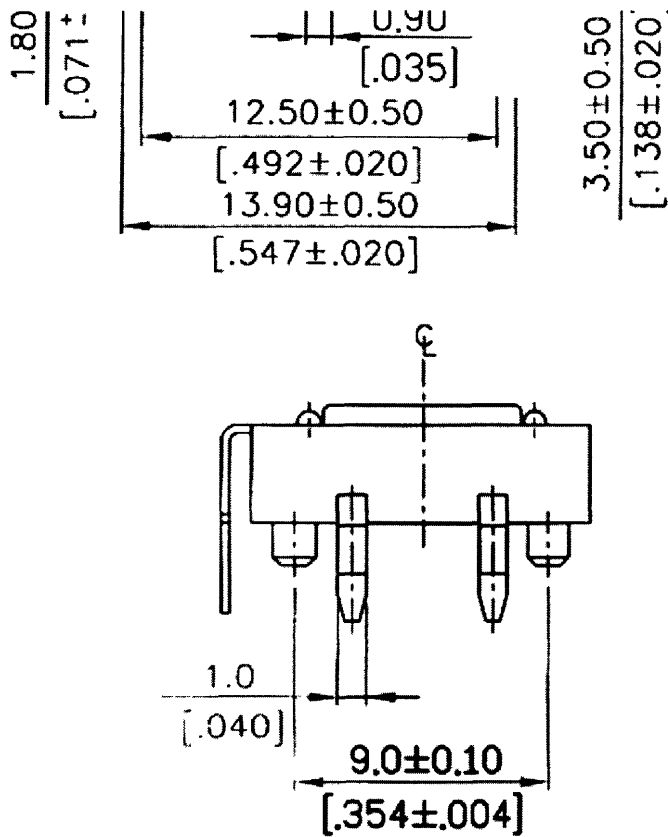
DTSG-24





DTSGP-21





General Tolerance: $\pm 0.2\text{mm}$ [$\pm 0.008''$]

● SPECIFICATION

MECHANICAL:

Operation Force: 520 \pm 130 gf Yellow (Y)
 320 \pm 80 gf Salmon (S)
 260 \pm 50 gf Red (R)
 160 \pm 50 gf Brown (N)
 100 \pm 50 gf Black (K)
 70 \pm 50 gf Blue (U)

Stop Strength: Place the switch such that the direction of switch operation is vertical, a static load of 3kgf shall be applied in the direction of stem operation for a period of 15 sec.

Stroke: (12*12) 0.35 \pm 0.1mm
 (6*6) 0.25 +0.2mm
 -0.1mm

Operation Temperature Range: -25 ϕ J to +70 ϕ J

Storage Temperature Range: -30 ϕ J to +80 ϕ J

Vibration Test: MIL-STD-202F METHOD 201A.

Frequency: 10-55-10Hz/1 minute.
 Directions: X,Y,Z,three mutually perpendicular directions.
 Time: 2 hours each direction.
 High reliability.

Shock Test:

MIL-STD-202F METHOD 213B.
 CONDITION A.
 Gravity:50G(peak value),11 m/sec.
 Direction and times:6 sides and 3 times in each direction.
 High reliability.

ELECTRICAL

Electrical Life: 50,000 cycles min for 260gf,320gf,520gf.
 500,000 cycles min for 70gf,100gf,160gf.
 Rating: 50mA,12VDC.
 Contact Resistance: 100M Ω max.
 Insulation Resistance: 100M Ω min.at 500VDC.
 Dielectric Strength: 250VAC/1 minute.
 Contact Arrangement: 1 pole 1 throw.

● SOLDERING AND CLEANING PROCESSES

△ WAVE SOLDERING: Recommended Solder Temperature at 500φK (260φJ)max. 5 seconds, subject to PCB 1.6mm thickness.

△ HAND SOLDERING: Use a soldering iron of 30 watts or less, controlled at 608φK (320φJ)approximately 2 seconds while applying solder.

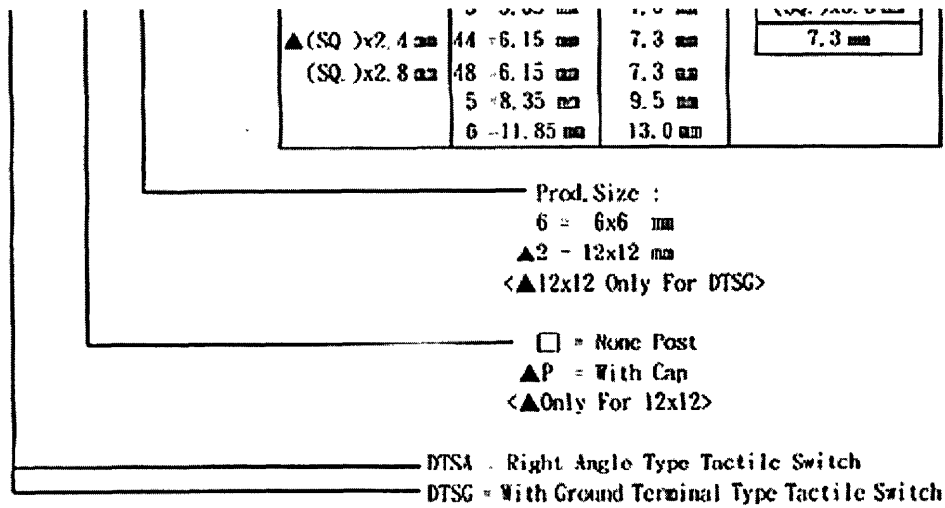
● HOW TO ORDER

Color Of Stem For Operating Force :

- ▲U = Blue , 70 gf
- ▲K = Black , 100 gf
- N = Brown , 160 gf
- R = Red , 260 gf
- S = Salmon , 320 gf
- ▲Y = Yellow , 520 gf
- <▲12x12 , U - K - Y Unavailable>

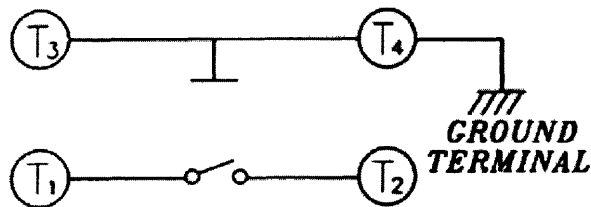
Dimension H :

CODE	DTSA-6	DTSC-6	DTSC 2
1	3.15 mm	4.3 mm	4.3 mm
2	3.85 mm	5.0 mm	CODE(4)
3	5.85 mm	7.0 mm	(S) 3x3 8 mm



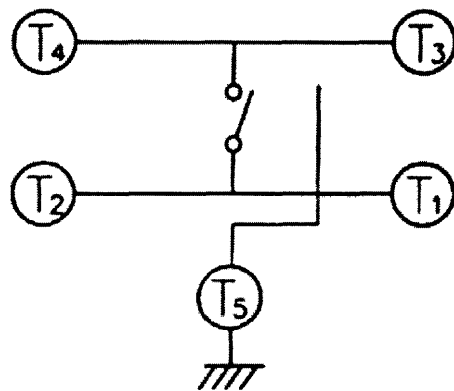
● **CIRCUIT**

DTSA-6



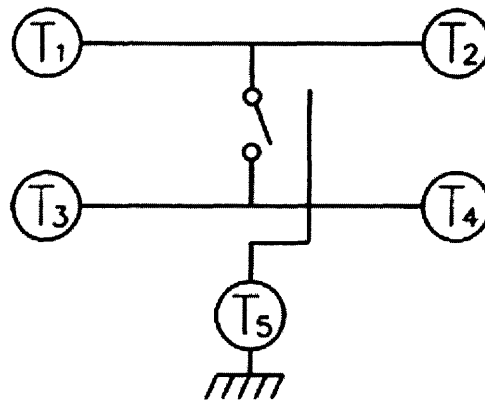
CIRCUIT DIAGRAM

DTSG-6



CIRCUIT DIAGRAM

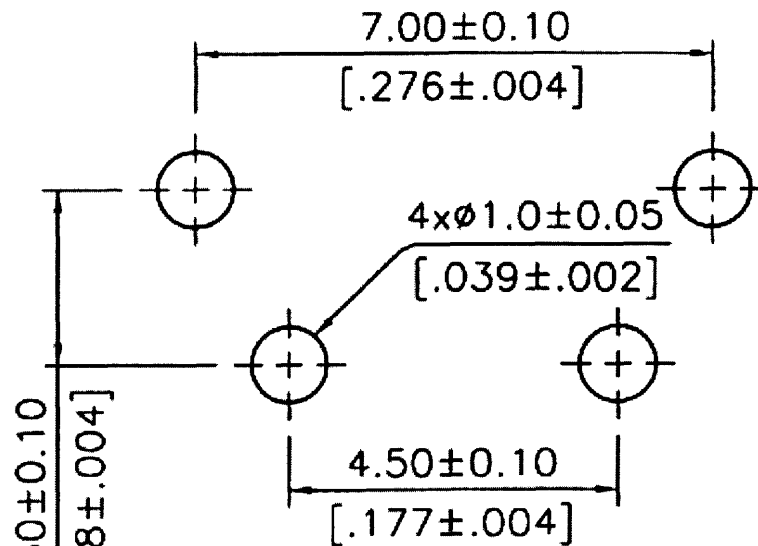
DTSG-2



CIRCUIT DIAGRAM

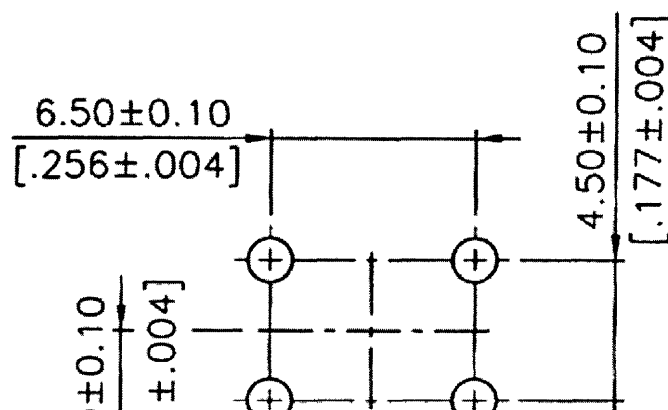
● P.C.B. LAYOUT

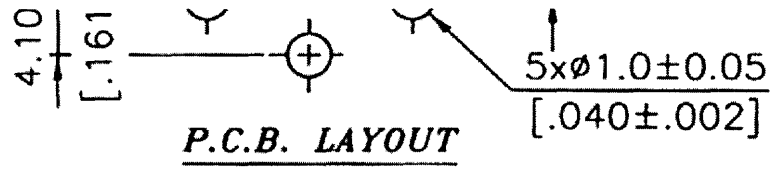
DTSA-6



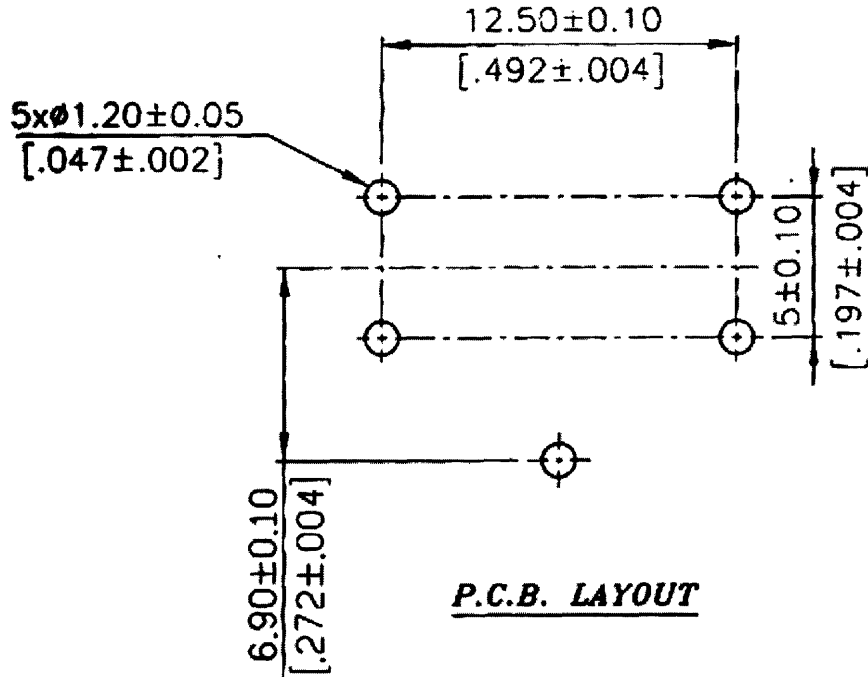
P.C.B. LAYOUT

DTSG-6

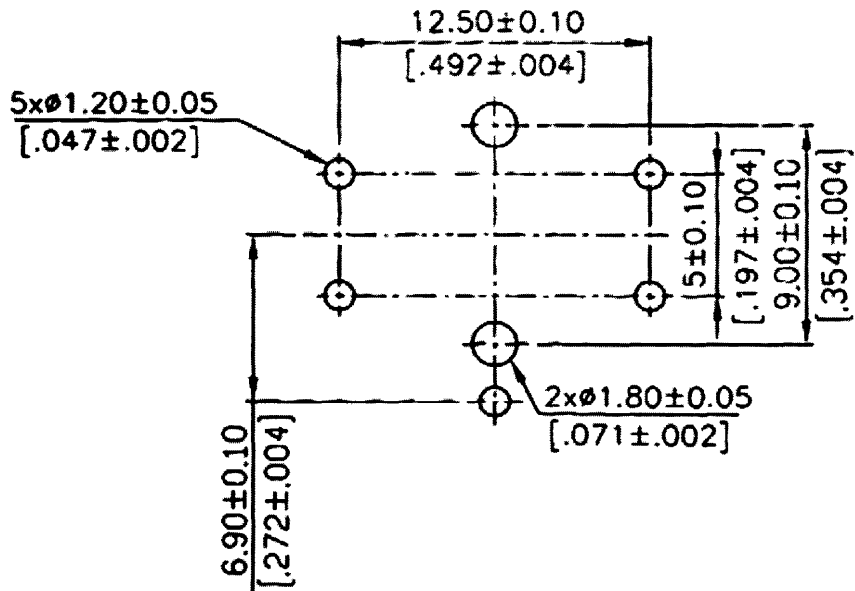




DTSG-2



DTSGP-2



SPECIFICATIONS ARE SUBJECT TO CHANGE WITHOUT NOTICE.
*MORE UPDATE INFORMATION, PLEASE CONSULT DIPTRONICS.