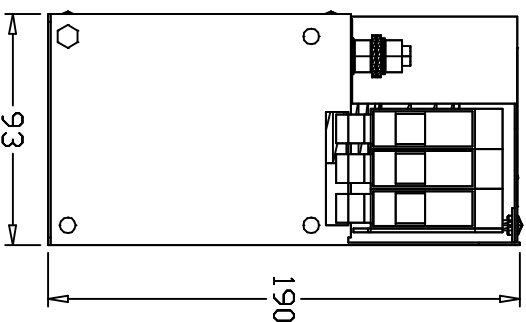
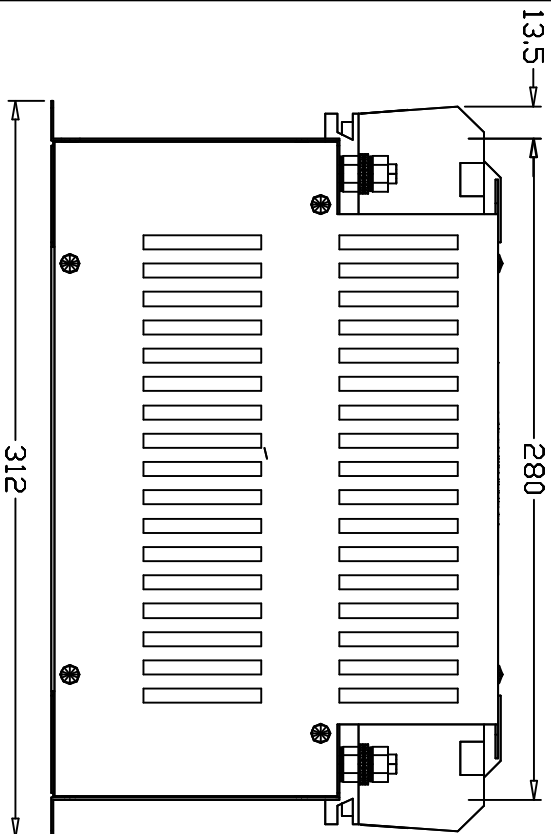
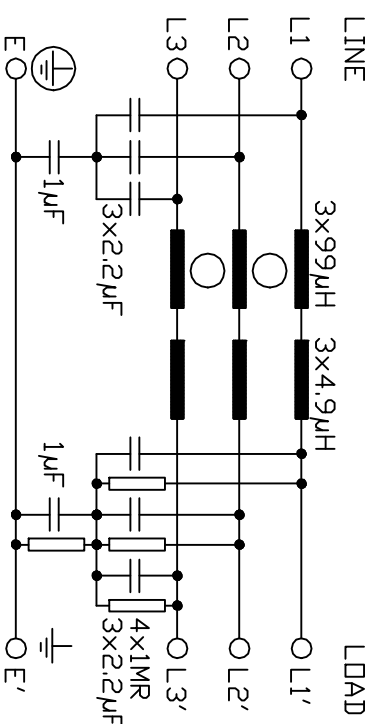
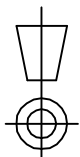


**SPECIFICATIONS**

VOLTAGE 500V<sub>ac</sub>  
 FREQUENCY 50/60Hz  
 CURRENT 70A @ 40°C  
 TEMPERATURE -25 TO 100°C  
 LEAKAGE CURRENT 90mA @ 500V 50Hz  
 HUMIDITY 90% RH (NON-CONDENSING)  
 VIBRATION 10-200Hz 1.8G  
 SURGE 4000Vpk 1.2/50µs  
 ELECTRIC STRENGTH 2500V<sub>ac</sub>/1min.  
 POWER DISSIPATION 19W  
 MASS 4.1kg  
 TERMINALS 50sqmm TERMINAL BLOCK  
 EARTH TERMINALS M8 STUD  
 FLANGE MOUNTING 4x M6



ALL DIMENSIONS IN MM / ANGLES IN DECIMAL DEGREES



STANDARD FILTER

**ROXBURGH ELECTRONICS LTD**

TITLE 3 PHASE 70A 500V INDUSTRIAL FILTER

Dwg No  
**KMF370-GS**

ISSUE  
**1**  
 GENERAL SPECIFICATION  
 FOR KMF370

CUSTOMER  
 REFERENCE

Sheet 1 of 1

Aprvd Date

Aprvd By NL

Drwn by AT

SCALE

CNN---

Location N:\DWG\GS\GS000075