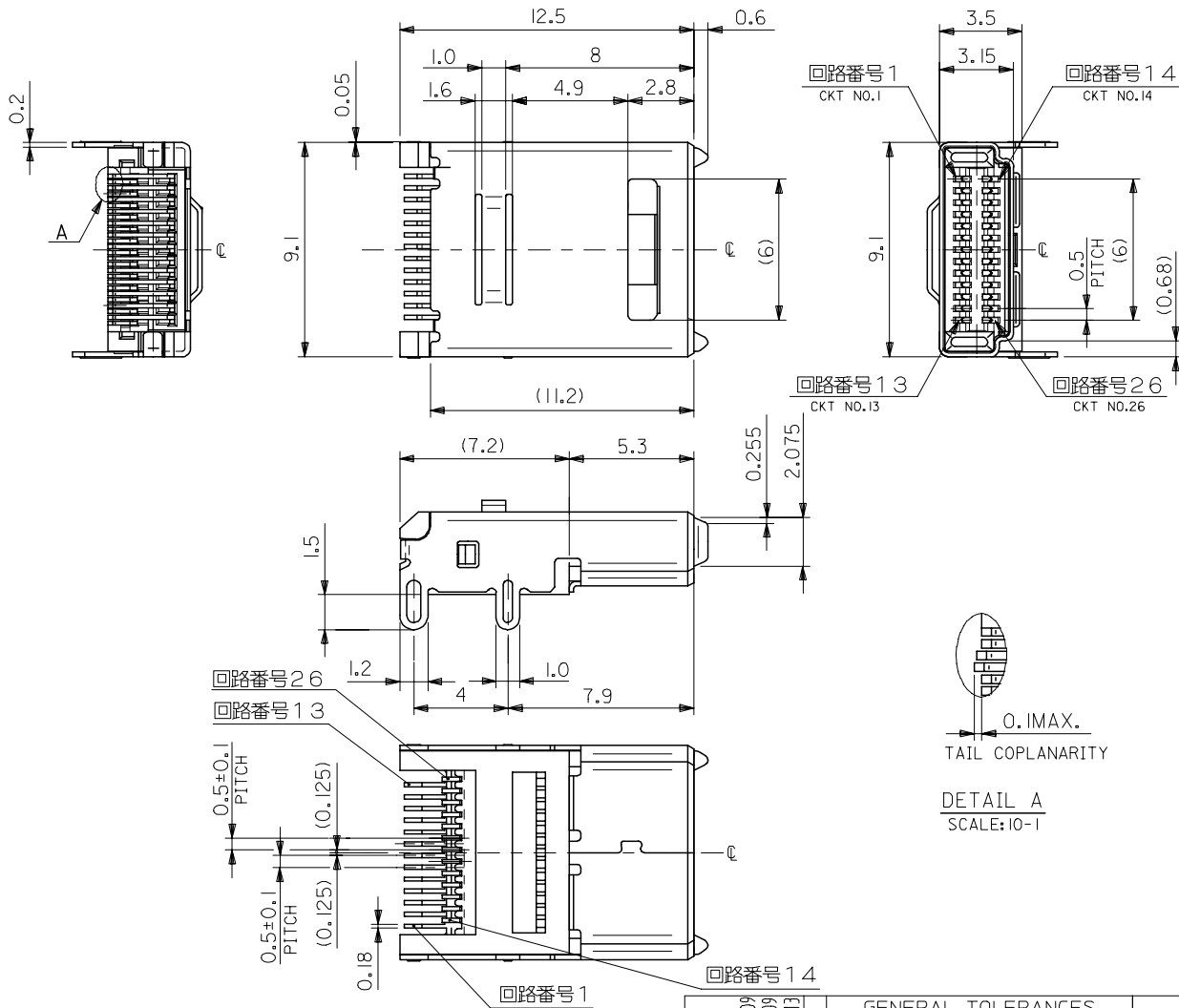


10 9 8 7 6 5 4 3 2 1

F
E
D
C
B
A



NOTE:

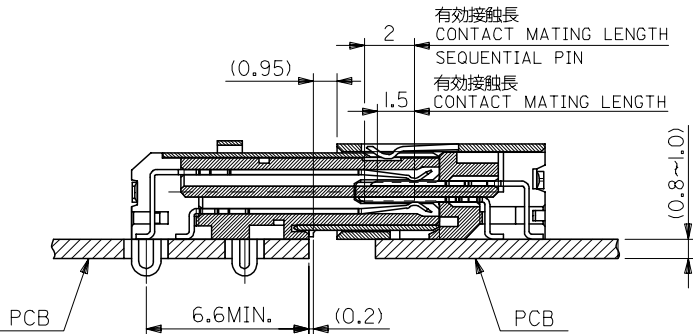
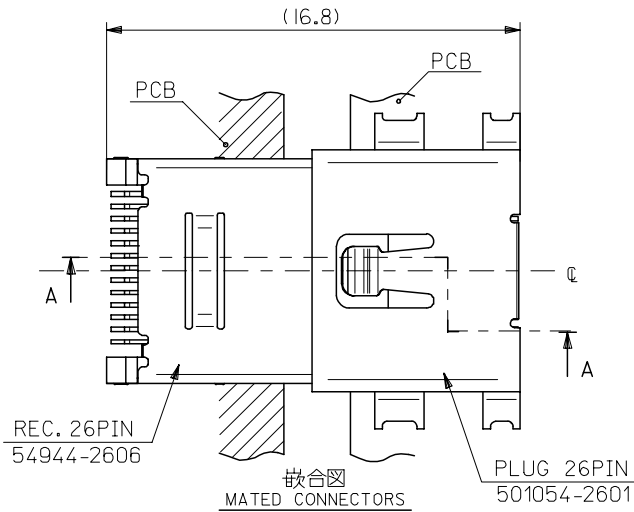
1. 適合プラグ番号: 501054-2601
APPLICABLE PLUG NO. 501054-2601
2. 材質
MATERIAL
 - 2-1. ハウジング: ガラス入り耐熱樹脂
94V-0, 黒色
HOUSING: G.F.HEAT RESISTANT PLASTIC
94V-0, BLACK COLOR
 - 2-2. ターミナル: 銅合金
TERMINAL COPPER ALLOY
 - 2-3. リセ シールド: ステンレス鋼
REC. SHIELD STAINLESS STEEL
3. メッキ仕様
PLATING
 - 3-1. ターミナル
TERMINAL
 - 3-1-1. 接点部 : 金メッキ 0.1umMIN.
CONTACT AREA GOLD
 - : パラジウムニッケルメッキ 0.2umMIN.
 PALLADIUM-NICKEL
 - 3-1-2. 半田付け部: 錫メッキ 1.0um MIN.
SOLDER TAIL AREA TIN
 - 3-1-3. 下地メッキ: ニッケルメッキ 1.5 ~ 3um
UNDER-PLATING NICKEL
 - 3-2. リセ シールド
REC. SHIELD
 - 3-2-1. 金コート処理
GOLD COATING
 - 3-2-2. 下地メッキ: ニッケルメッキ 1.0 ~ 2um
UNDER-PLATING NICKEL
4. 本製品は 54944-2601 の鉛フリー品である。
THIS PRODUCT IS LEAD FREE OF 54944-2601.

DETAIL A
SCALE: 10-1

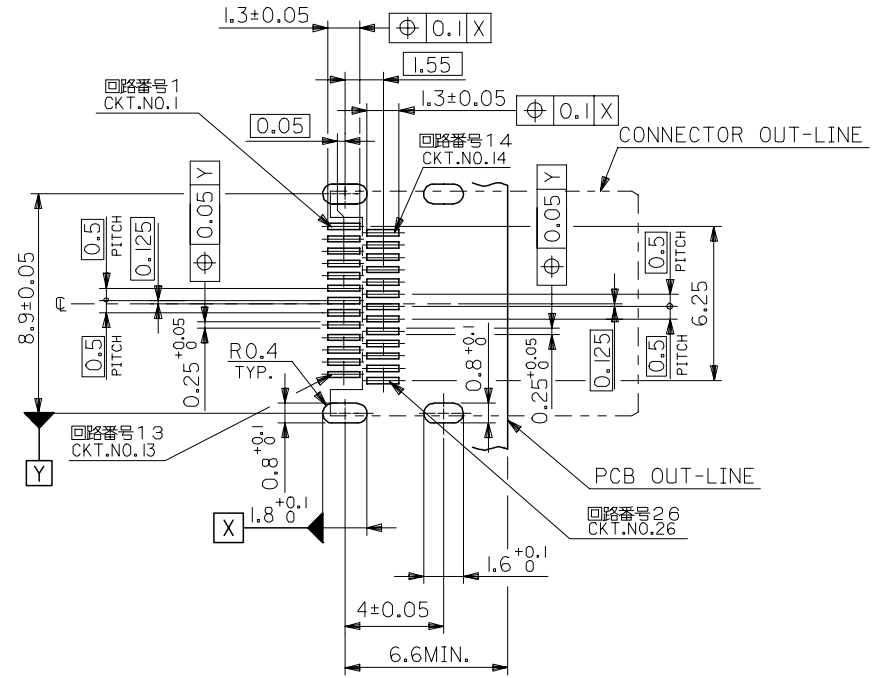
54944-2606	54944-**06
MATERIAL NO.	MODEL NO.

RELEASED EC NO: J2005-0066 DRWN: MNABE1 2004/07/09 CHKD: KTOJO 2004/07/09 APPR: NUKITA 2004/07/13 REV: 0	GENERAL TOLERANCES (UNLESS SPECIFIED)		DIMENSION STYLE MM ONLY		SCALE 5:1	DESIGN UNITS METRIC	THIRD ANGLE PROJECTION
	10 UNDER	±0.2	DRAWN BY MNABE1	DATE '04/07/05	TITLE 0.5 I/O CONN REC HS'G ASSY 26CKT -LEAD FREE- MOLEX INCORPORATED		
	10 OVER 30 UNDER	±0.25	CHECKED BY KTOJO	DATE '04/07/05			
	30 OVER	±0.3	APPROVED BY NUKITA	DATE '04/07/05			
	ANGULAR ±3 °		DRAFT WHERE APPLICABLE MUST REMAIN WITHIN DIMENSIONS		MATERIAL NO. SEE CHART		DOCUMENT NO. SD-54944-025
THIS DRAWING CONTAINS INFORMATION THAT IS PROPRIETARY TO MOLEX INCORPORATED AND SHOULD NOT BE USED WITHOUT WRITTEN PERMISSION							

10 9 8 7 6 5 4 3 2 1

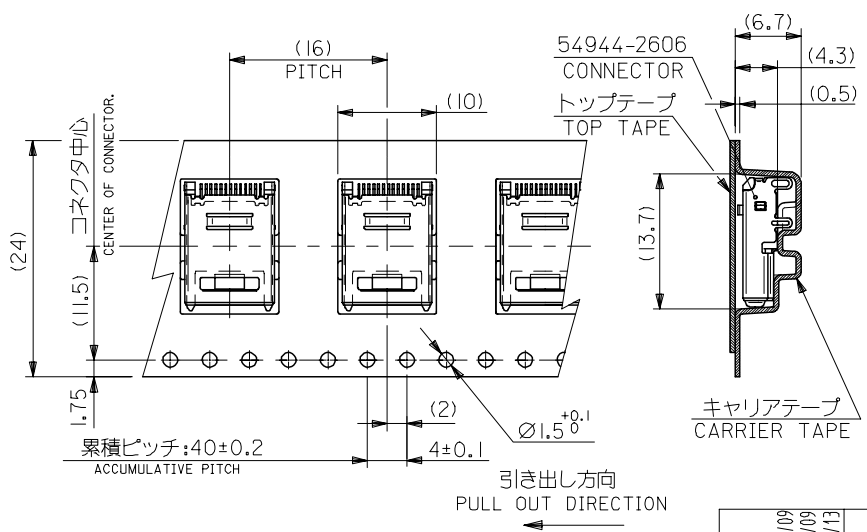
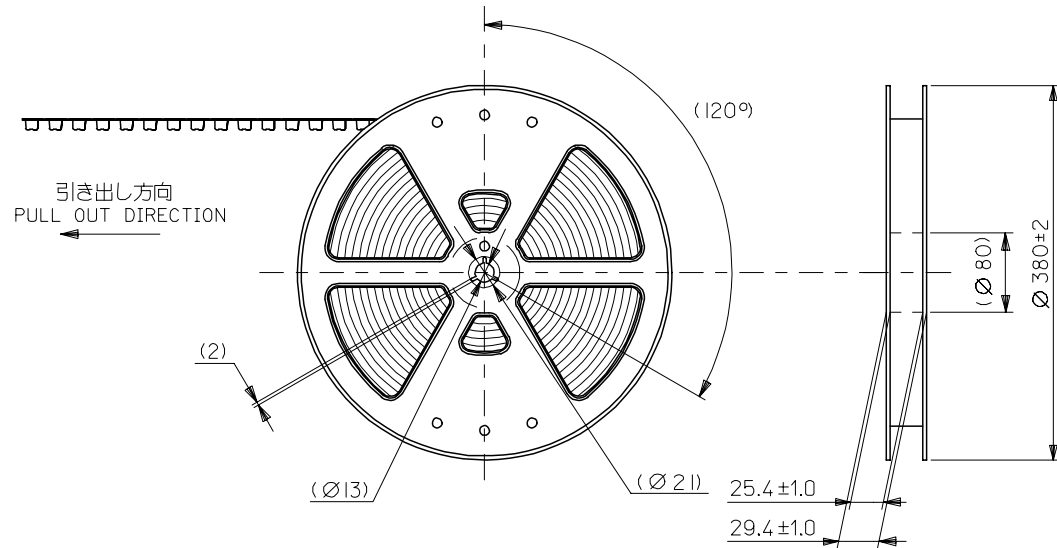


SECTION A-A



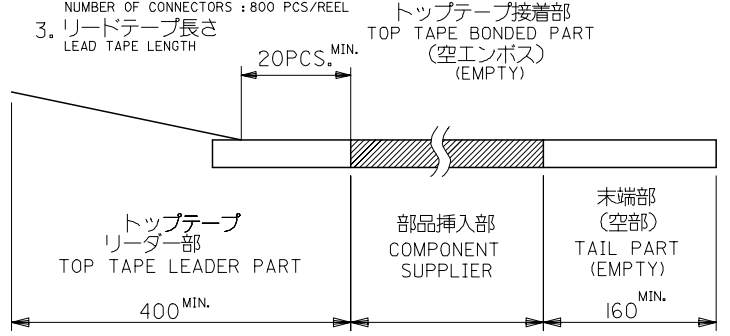
参考基板推奨寸法 (部品実装側)
RECOMMENDED P.C.B LAYOUT (REF.) (MOUNTING SIDE)

RELEASED EC NO: J2005-0066 DRAWN: MNABE 2004/07/09 CHKD: KTOJO 2004/07/09 APPR: NUKITA 2004/07/13 REV 0	GENERAL TOLERANCES (UNLESS SPECIFIED)		DIMENSION STYLE MM ONLY		SCALE 5:1	DESIGN UNITS METRIC	THIRD ANGLE PROJECTION		
	10 UNDER	±0.2	DRAWN BY MNABE1		DATE '04/07/05	TITLE 0.5 I/O CONN REC HS'G ASSY 26CKT -LEAD FREE-			
	10 OVER 30 UNDER	±0.25	CHECKED BY KTOJO		DATE '04/07/05				
	30 OVER	±0.3	APPROVED BY NUKITA		DATE '04/07/05	MOLEX INCORPORATED			
	ANGULAR	±3 °	MATERIAL NO. SEE CHART		DOCUMENT NO. SD-54944-025				
DRAFT WHERE APPLICABLE MUST REMAIN WITHIN DIMENSIONS			SIZE A3		THIS DRAWING CONTAINS INFORMATION THAT IS PROPRIETARY TO MOLEX INCORPORATED AND SHOULD NOT BE USED WITHOUT WRITTEN PERMISSION				

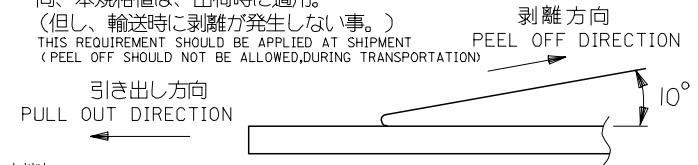


注記
NOTES

- 製品番号 54944-2606 の詳細寸法については、SD-54944-025 参照。
IN THE PACKAGE, PART NO.54944-2606 RE DETAILED DIMENSIONS, SEE SD-54944-025.
- 梱包数量：800個/リール
NUMBER OF CONNECTORS : 800 PCS/REEL
- リードテープ長さ
LEAD TAPE LENGTH



- トップテープの剥離強度：(剥離方向は下図参照)
PEELING OFF FORCE OF TOP TAPE (PEELING DIRECTION AS SHOWN IN FOLLOWING FIG.)
0.1~1.3N (10~130gf)
尚、本規格値は、出荷時に適用。
(但し、輸送時に剥離が発生しない事。)
THIS REQUIREMENT SHOULD BE APPLIED AT SHIPMENT
(PEEL OFF SHOULD NOT BE ALLOWED, DURING TRANSPORTATION)



- 材料
MATERIAL
キャリアテープ：ポリプロピレン (PP)
CARRIER TAPE : POLYPROPYLENE (PP)
トップテープ：PET, PE, PEF
TOP TAPE : PET, PE, PEF
リール：ポリスチレン
REEL : POLYSTYLENE

- 本製品は 54944-2690 の鉛フリー品である。
THIS PRODUCT IS LEAD FREE OF 54944-2690.

59499-0103	59499-7803	59405-0226	26	54944-2606	54944-2670
TOP TAPE	REEL	EMBOSSED TAPE	CKT.	CONNECTOR	MATERIAL NO.

RELEASED EC NO: J2005-0066 DRAWN: MNABEI 2004/07/09 CHKD: KTOJO 2004/07/09 APPR: NUKITA 2004/07/13	GENERAL TOLERANCES (UNLESS SPECIFIED)		DIMENSION STYLE MM ONLY		SCALE ---	DESIGN UNITS METRIC	THIRD ANGLE PROJECTION
	10 UNDER	±0.2	DRAWN BY MNABE1	DATE '04/07/05	EMBOSSED TAPE PACKAGE FOR 54944-2606 -LEAD FREE- MOLEX INCORPORATED		
	10 OVER 30 UNDER	±0.25	CHECKED BY KTOJO	DATE '04/07/05			
	30 OVER	±0.3	APPROVED BY NUKITA	DATE '04/07/05			
	ANGULAR ±3 °		MATERIAL NO. SEE CHART		DOCUMENT NO. SD-54944-026	SHEET NO. 1 OF 1	
DRAFT WHERE APPLICABLE MUST REMAIN WITHIN DIMENSIONS		THIS DRAWING CONTAINS INFORMATION THAT IS PROPRIETARY TO MOLEX INCORPORATED AND SHOULD NOT BE USED WITHOUT WRITTEN PERMISSION					