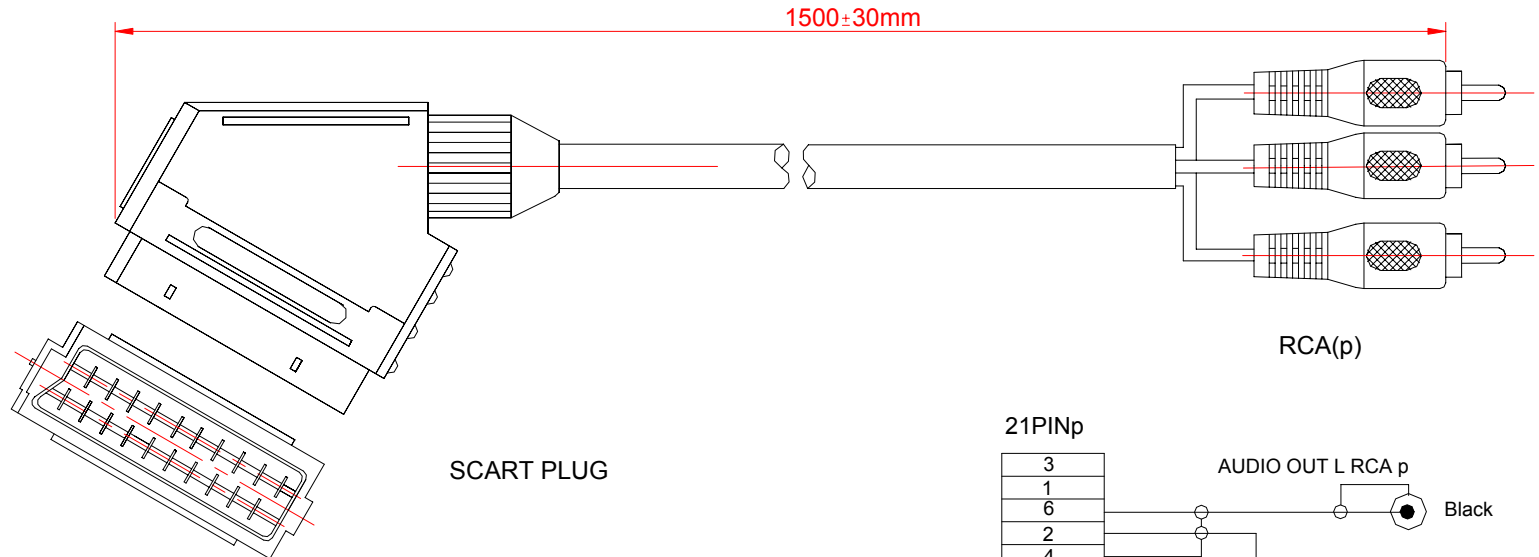
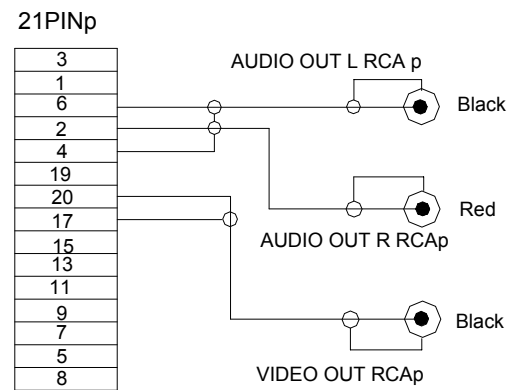
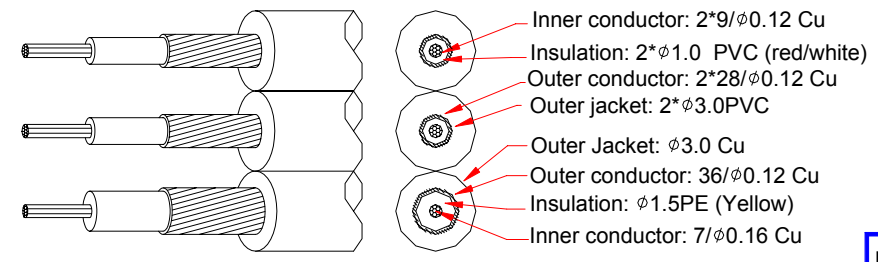


ECN Symbol	ECN No.	Descriptions	Date
			July 2003



Section and Structure Of Cable



Wiring Diagram

Prepared	Neil Tang	Material	Scart(p) to 3RCA(P)		
Checked		Finish	Model	AVVCL35	
Approved		Q'ty	VER.	Scale	Parts
Unit mm			A-1		
Ref/No.		Page	JESMAY		