

# Signal Horn 482 X52 XX

(provisional data sheet)

WERMA Signaltechnik  
GmbH + Co.  
Dürbheimer Straße 15  
D-78604 Rietheim-Weilheim  
Phone 0049/7424/9557-0  
Fax 0049/7424/9557-44

### Electrical specifications:

Operating voltage:  $U_{nenn}$  = see chart  
 Rated current:  $I_{eff}$  <= see chart  
 Exciting frequency: AC 100 Hz  
                                   DC approx. 500 Hz  
 Tone type: Continuous tone  
 Duty cycle: 100 % ED  
 Working life: > 300 h

### Order No.:

482 052 54	12V	DC	150 mA
482 052 55	24V	DC	70 mA
482 052 56	48V	DC	50 mA
482 052 65	24V	AC	190 mA
482 052 66	42V	AC	75 mA
482 052 67	115V	AC	15 mA
482 052 68	230V	AC	15 mA

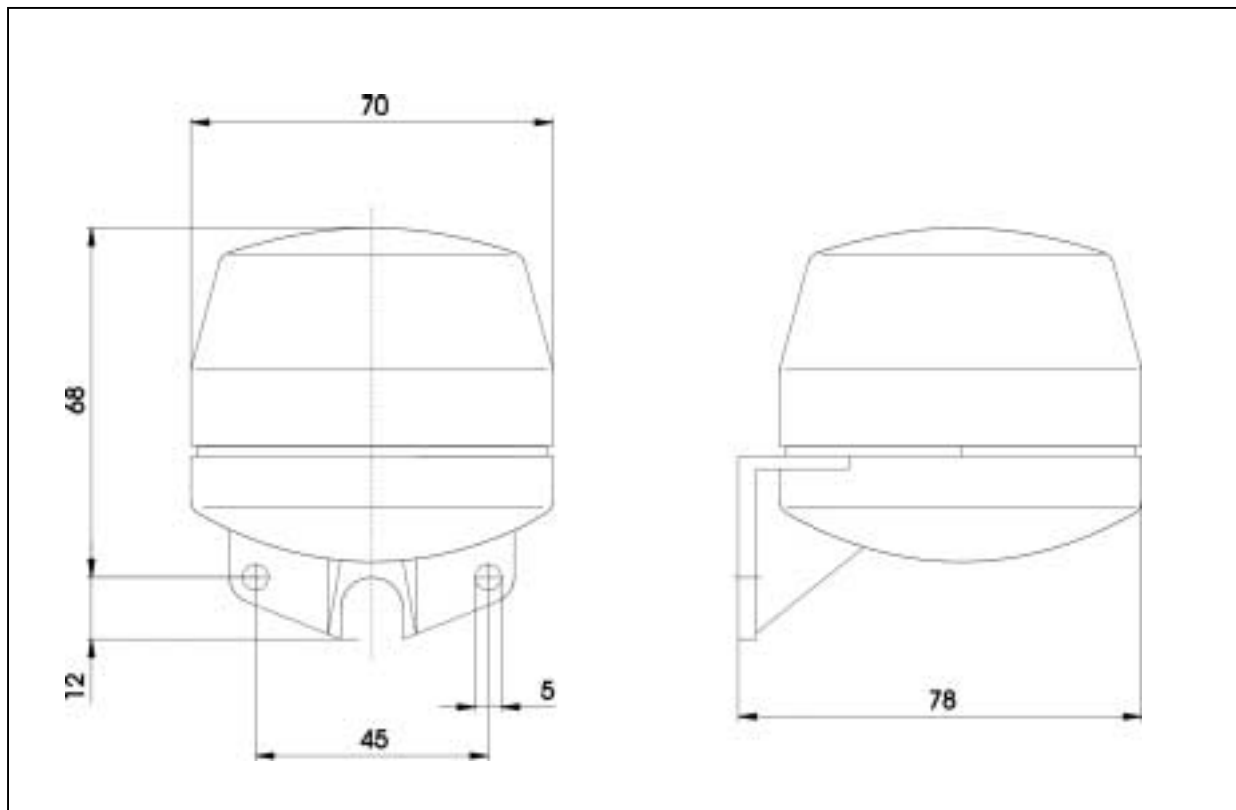
(Other voltages available on request.)

### Further specifications:

Housing: ABS, high impact, grey  
 Terminal: screwable connection  
                   with wire protector  
                   1mm<sup>2</sup> - 1,5mm<sup>2</sup> fine strand  
                   1mm<sup>2</sup> - 2,5mm<sup>2</sup> single wire  
 Weight: Approx. 160 g  
 Working Temperature: -20°C up to +60°C  
 Volume: 92 dB (A) 1m ±5%  
 Protection rating: IP33

Regulations: Conform to current  
 EC-regulations.

*All specifications refer to  $U_{nenn}$  and room temperature!*



	Drawn up	proved	released	Data-sheet-No.
Name	E. Rudischhauser	R. Isenmann	H. Elsäßer	000 482 502
Date	2001-11-05	2001-11-05	2001-11-05	Page 1 of 1