

Permanent Magnet Stepper Motor

415-8489

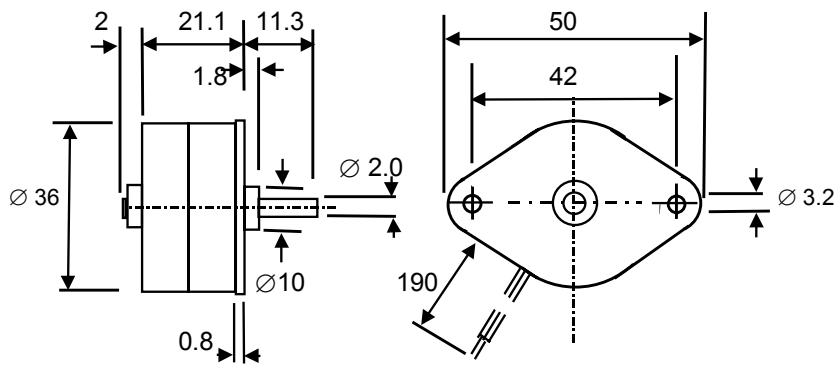
The 415-8489 instrument stepper motor is a high quality permanent magnet type providing a step angle of 7.5 degrees.

The motor offers excellent performance combined with low pricing and are ideally suited to instrumentation applications.

For increased torque and resolution the motor can be purchased fitted ovoid gearboxes, (part numbers: 415-8490, 415-8507, 415-8519, 415-8520, 415-8532)



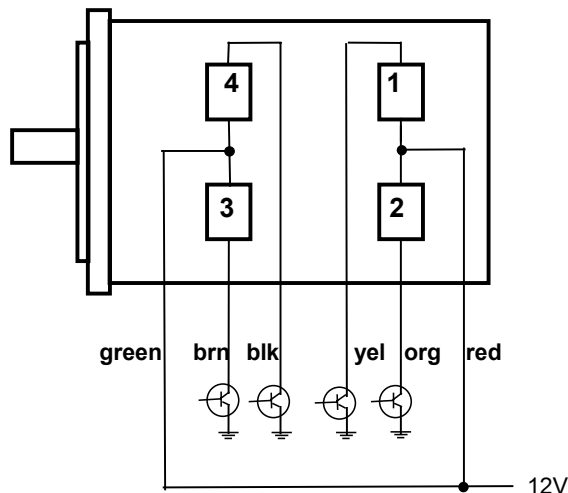
Dimensions: mm



Specification

motor type	step angle	holding torque	rotor inertia	resistance per phase	current per phase	inductance per phase	number of leads	Mass
	degrees	Ncm	Kgcm ²	ohms	amps	mH		gms
415-8489	7.5	2.75	0.004	64	0.18	38	6	88

Connections



Switching Sequence

Phase	1	2	3	4
Step 1	+		+	
Step 2		+	+	
Step 3		+		+
Step 4	+			+
Step 1	+		+	

↓
ccw rotation