

**MICRO SWITCH**  
a Honeywell Division

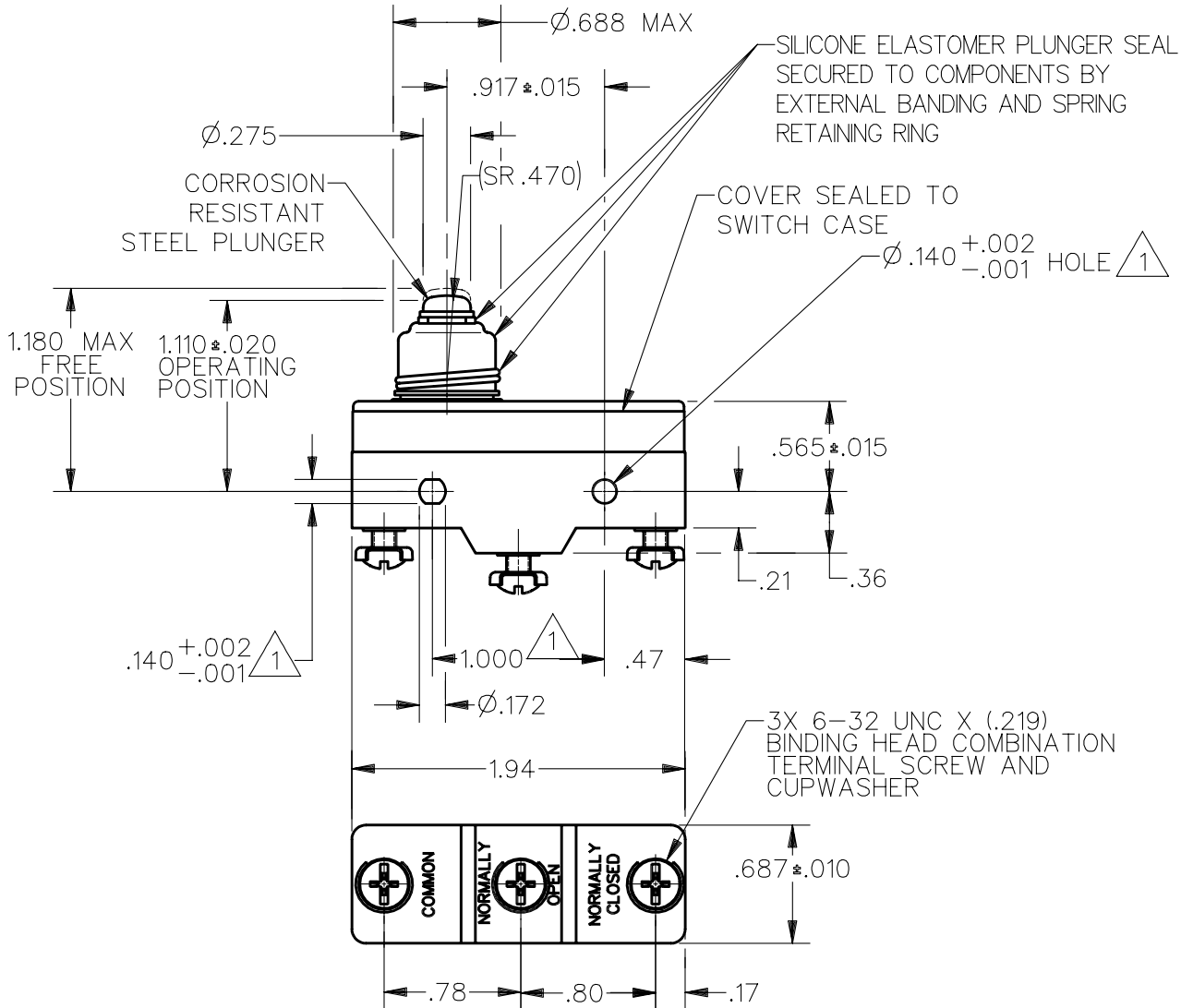
SWITCH - BASIC

CATALOG LISTING

BZ-2RDS5551-A2

FED. MFG. CODE 91 929

CATALOG LISTING  
BZ-2RDS5551-A2  
PAGE 1 OF 1  
ISSUE 7  
RELEASE NO. PR-1011  
REPLACES



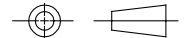
NOTES

- ① MOUNTING HOLES WILL ACCEPT PINS OR SCREWS OF  $\phi .139$  MAX ON  $1.000 \pm .002$  CENTERS
- 2 - SEALED CONSTRUCTION PROVIDES SPLASH RESISTANCE

ANSI Y14.5M-1982 APPLIES

THIS DRAWING COVERS A PROPRIETARY ITEM AND IS THE PROPERTY OF MICRO SWITCH, A DIVISION OF HONEYWELL. THIS DRAWING IS NOT TO BE COPIED OR USED WITHOUT THE APPROVAL OF MICRO SWITCH.

THIRD ANGLE PROJECTION



CHARACTERISTICS	ELECTRICAL DATA	SCALE FULL	DO NOT SCALE PRINT
OPERATING FORCE - - - - - 13-19 OZ	CONTACT ARRANGEMENT S P D T	<b>UNLESS OTHERWISE SPECIFIED TOLERANCES ARE</b>	
RELEASE FORCE - - - - - 4 OZ MIN	L96	ONE PLACE ( .0 )	± .030
DIFFERENTIAL TRAVEL - - .0004-.0025	15A 125, <u>250</u> OR 480 VAC	TWO PLACE ( .00 )	± .015
OVERTRAVEL - - - - - .060 MIN	1/8HP 125 VAC, 1/4HP <u>250</u> VAC	THREE PLACE ( .000 )	± .005
	1/2A 125 VDC, 1/4A 250 VDC	ANGLES	±
	L288 L299 L306	WEIGHT .085 LB	
	CE Ⓟ UL Ⓢ		
	16A 250V ~ T85 5E4		

REVISIONS

A	C083108	J A F	5 JUN 96
B	C093346	D L T	9 SEP 98

DDM/CAD  
DRAWN  
J A F  
5 JUN 96  
CHECK