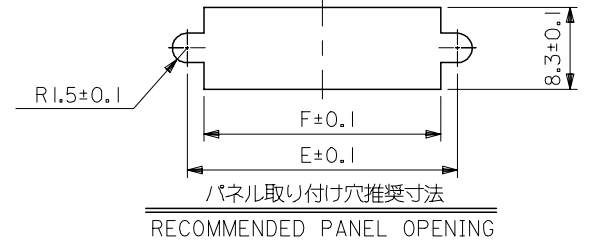
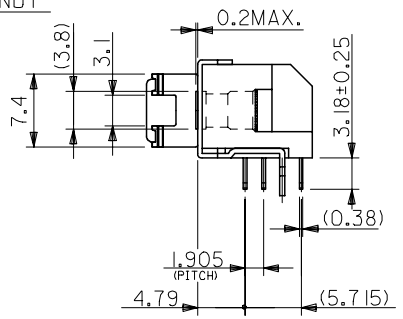
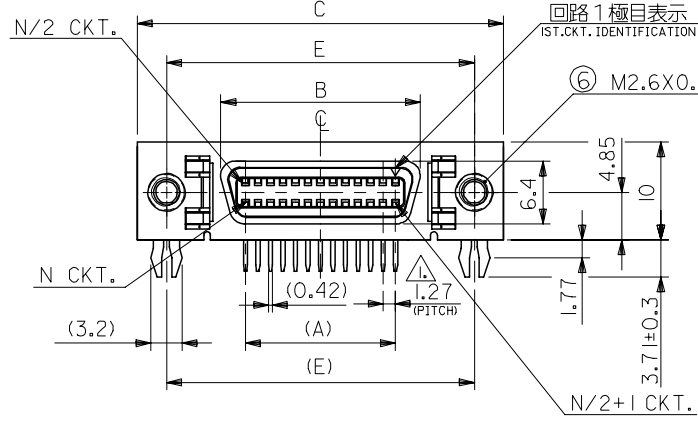


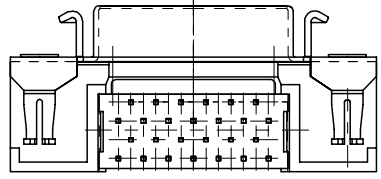
NO.	部品名 PART NAME	材質 MATERIAL	仕上げ FINISH
①	リセプタクル ハウジング RECEPTACLE HOUSING	ガラス入りPBT、黒色、UL94V-0 G.F. PBT, BLACK, UL94V-0	—
②	ガイドプレート GUIDE PLATE	ガラス入りPBT、黒色、UL94V-0 G.F. PBT, BLACK, UL94V-0	—
③	リセプタクル ターミナル RECEPTACLE TERMINAL	りん青銅 PHOSPHOR BRONZE	③
④	シエル SHELL	鋼材 STEEL	下地: ニッケルメッキ UNDER PLATING: NICKEL 仕上げ: 錫メッキ FINISH: PLATING: TIN
⑤	ラッチレシーバー LATCH RECEIVER	鋼材 STEEL	下地: 銅 UNDER PLATING: COPPER 仕上げ: ニッケルメッキ FINISH: PLATING: NICKEL
⑥	ロックナット LOCK NUT	黄銅 COPPER	—

注記  
NOTES.

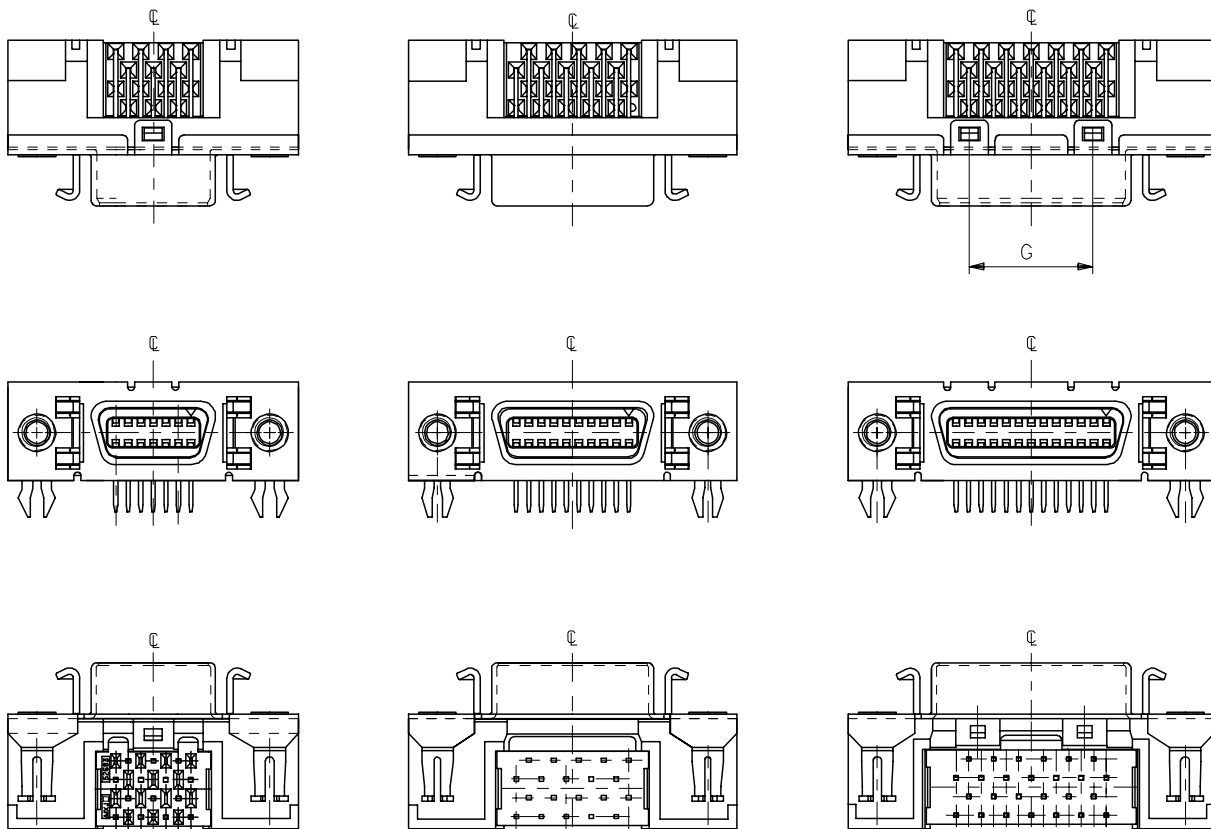
- △ 公差非累積  
NON CUMULATIVE TOLERANCE
- 2. 推奨基板厚 : t=1.6±0.2  
RECOMMENDED P.C.B. THICKNESS : t=1.6±0.2
- △ ターミナル メッキ仕様  
TERMINAL PLATING  
 金メッキ : 0.3 μm MIN. (接点部)  
 GOLD : 0.3 μm MIN. (CONTACT AREA)  
 錫メッキ : 1.0 μm MIN. (半田付け部)  
 TIN : 1.0 μm MIN. (SOLDER AREA)  
 ニッケルメッキ : 2.0 μm MIN. (下地メッキ)  
 NICKEL : 2.0 μm MIN. (UNDER PLATING)
- 4. 本製品は 52986-\*\*\*71 の鉛フリー品である。  
THIS PRODUCT IS LEAD FREE OF 52986-\*\*\*71.



33.02	54.52	57.93	54.03	63.83	46.91	41.91	52986-***79	52986-6879	68
27.79	43.09	46.5	42.6	52.4	35.48	30.48		52986-5079	50
12.7	34.20	37.61	33.71	43.51	26.59	21.59		-3679	36
12.55	27.85	31.26	27.36	37.16	20.24	15.24		-2679	26
→	24.04	27.45	23.55	33.35	16.43	11.43		-2079	20
→	20.23	23.64	19.74	29.54	12.62	7.62		52986-1479	14
G	F	E	D	C	B	A	MODEL NO.	製品番号 MATERIAL NO.	極数 CKT.



REVISED EC NO: J2007-1900 DRW: KSAIT001 2007/02/02 CHK: KTOY00A 2007/02/05 APP: NUKITA 2007/02/05	GENERAL TOLERANCES (UNLESS SPECIFIED)		DIMENSION STYLE MM ONLY		SCALE 2:1	DESIGN UNITS METRIC	THIRD ANGLE PROJECTION	
	10 UNDER	±0.2	DRAWN BY HKAWABAT	DATE '04/05/18	TITLE 1.27 I/O METAL/L R/A REC ASSY (CLAMP) -LEAD FREE-			
	10 OVER 30 UNDER	±0.25	CHECKED BY KTOJO	DATE '04/05/18				
	30 OVER	±0.3	APPROVED BY MSASAO	DATE '04/05/18	MOLEX INCORPORATED		SHEET NO. 1 OF 2	
ANGULAR ±3 °		DRAFT WHERE APPLICABLE MUST REMAIN WITHIN DIMENSIONS		MATERIAL NO. SEE CHART		DOCUMENT NO. SD-52986-020		
SIZE A3 THIS DRAWING CONTAINS INFORMATION THAT IS PROPRIETARY TO MOLEX INCORPORATED AND SHOULD NOT BE USED WITHOUT WRITTEN PERMISSION								



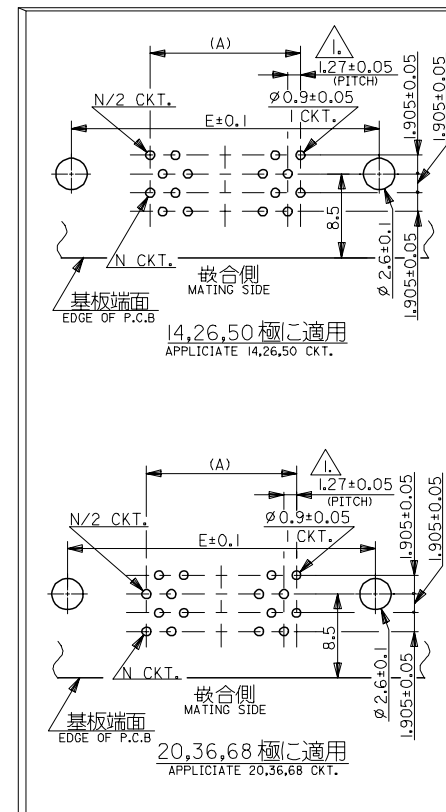
14 極の場合  
IN CASE OF 14 CKT.

20 極の場合  
IN CASE OF 20 CKT

26,36,50,68 極の場合  
IN CASE OF 26,36,50,68 CKT.

シェルロック位置及びハウジングフード形状

SHAPE OF SHELL LOCK AND HS'G HOOD.



基板穴推奨寸法 (部品実装側)  
RECOMMENDED P.C.B LAYOUT (COMPONENT SIDE)

REVISED EC NO: J2007-1900 DRW:KSAIT001 2007/02/02 CHK:KTOY00A 2007/02/05 APP:NUKITA 2007/02/05	GENERAL TOLERANCES (UNLESS SPECIFIED)		DIMENSION STYLE MM ONLY		SCALE 2:1	MODEL NO. 52986-***79
	10 UNDER	±0.2	DRAWN BY HKAWABAT	DATE '04/05/18	TITLE	DESIGN UNITS METRIC
	10 OVER 30 UNDER	±0.25	CHECKED BY KTOJO	DATE '04/05/18	1.27 I/O METAL/L R/A REC ASSY(CLAMP) -LEAD FREE-	THIRD ANGLE PROJECTION
	30 OVER	±0.3	APPROVED BY MSASAO	DATE '04/05/18		MOLEX INCORPORATED
ANGULAR ±3 °		DRAFT WHERE APPLICABLE MUST REMAIN WITHIN DIMENSIONS		MATERIAL NO. SEE CHART	DOCUMENT NO. SD-52986-020	SHEET NO. 2 OF 2
THIS DRAWING CONTAINS INFORMATION THAT IS PROPRIETARY TO MOLEX INCORPORATED AND SHOULD NOT BE USED WITHOUT WRITTEN PERMISSION						