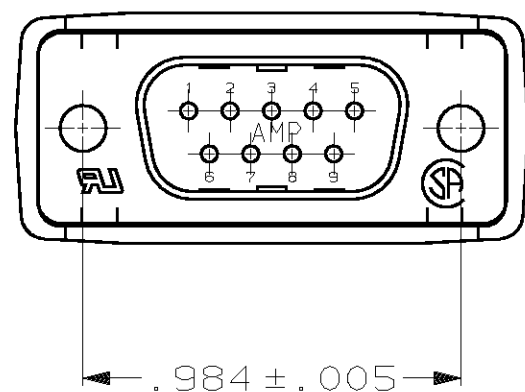
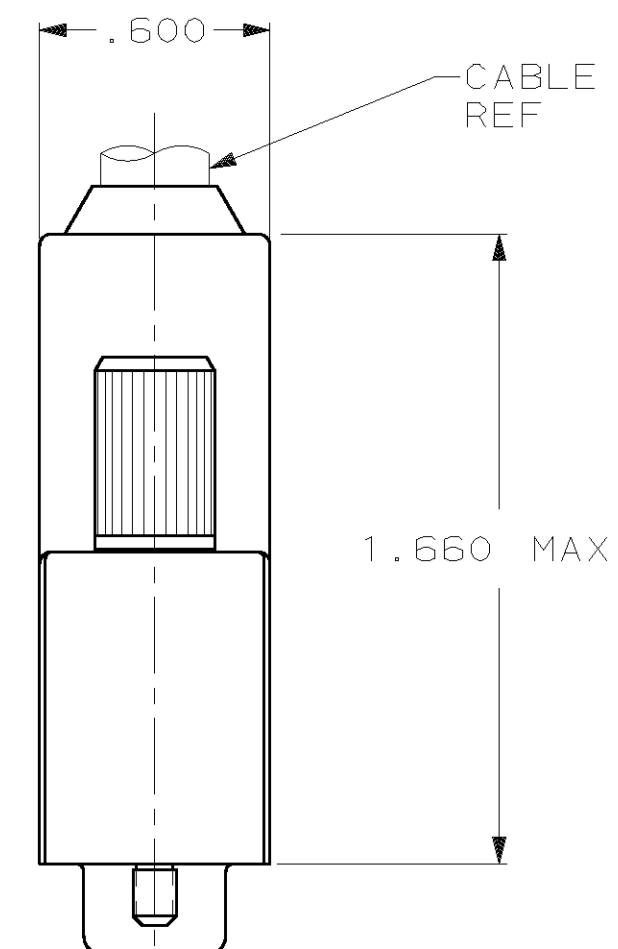
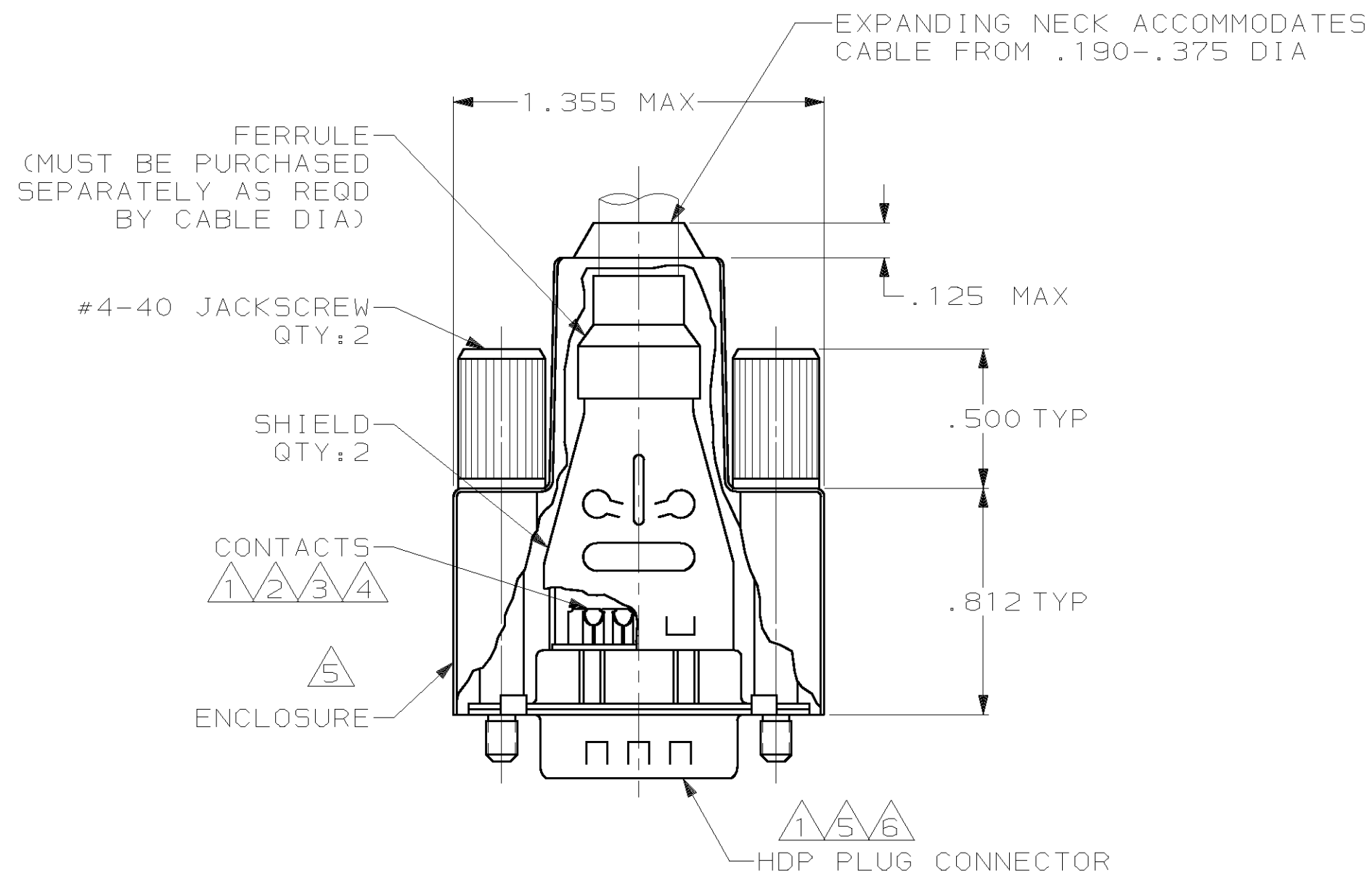


THIS DRAWING IS UNPUBLISHED. RELEASED FOR PUBLICATION ,19 .  
 © COPYRIGHT 19 BY AMP INCORPORATED. ALL INTERNATIONAL RIGHTS RESERVED.

LOC		DIST		REVISIONS				
BD	39	P	F	ZONE	LTR	DESCRIPTION	DATE	APPD
				F		REV PER 063C-0209-03	21JUL03	JO
				G		EC 063C-628-03	18DEC03	JO
				H		EC 063C-0340-04	12AUG04	JO



SUPERSEDED BY 1571650

① PLUG CONNECTOR FULLY LOADED WITH CONTACTS. ALL OTHER PARTS ARE SHIPPED UNASSEMBLED, EACH PART INDIVIDUALLY BULK PACKED.

② PHOSPHOR BRONZE PER QQ-B-750.

③ SOLDER CUP WILL ACCOMMODATE 20 AWG MAX WIRE.

④ GOLD FLASH FOR LENGTH OF .150 MIN ON MATING END. .000150-.000300 TIN LEAD ON SOLDER END, ALL OVER .000030 NICKEL ON ENTIRE CONTACT.

⑤ FLAME RETARDANT 94V-0 RATED THERMOPLASTIC, BLACK.

⑥ STEEL PER ASTM A109.

⑦ TIN PLATING PER MIL-T-10727.

⑧ ZINC PLATING PER ASTM B633, TYPE II, CLASS SCI, BLACK CHROMATE.

⑨ GOLD FLASH FOR LENGTH OF .150 MIN ON MATING END. .000150-.000300 TIN ON SOLDER END, ALL OVER .000030 NICKEL ON ENTIRE CONTACT.

⑩ LEAD FREE PART.

⑩ SUPERSEDED BY 1571650-4	⑨	748046-3
SUPERSEDED BY 1571650-1	④	748046-1
	CONTACT FINISH	PART NUMBER

DO NOT SCALE PRINT. UNLESS SPECIFIED DIMENSIONS IN INCHES TOLERANCES ON : 2 PLC DEC ± - 3 PLC DEC ± .020 ANGLES ± -	DR 6-7-90 J GALLUCCI BG	AMP INCORPORATED Harrisburg, Pa. 17105	
	CHK 8-31-90 J.McCLINTON		
MATERIAL CONTACTS: ② ⑤ ⑥ MOLDED PARTS: ⑤ SHELLS & SHIELDS: ⑥ JACKSCREWS: ZINC ALLOY	APPD 9-4-90 BOB TAYLOR	NAME BULK KIT, PLUG, AMPLIMITE, SOLDER CUP, SHIELDING ENCLOSURE, 9 POSN, SIZE 1, HDP-20	
FINISH CONTACTS: SEE TABLE SHELLS & SHIELDS: ⑦ JACKSCREWS: ⑧	APPD 9-4-90 J.ASSINI	SIZE C	FSCM NO 00779
	PRODUCT SPEC -	DRAWING NO 748046	
	APPLICATION SPEC -	SCALE 2:1	SHEET 1 OF 1
	WEIGHT -		