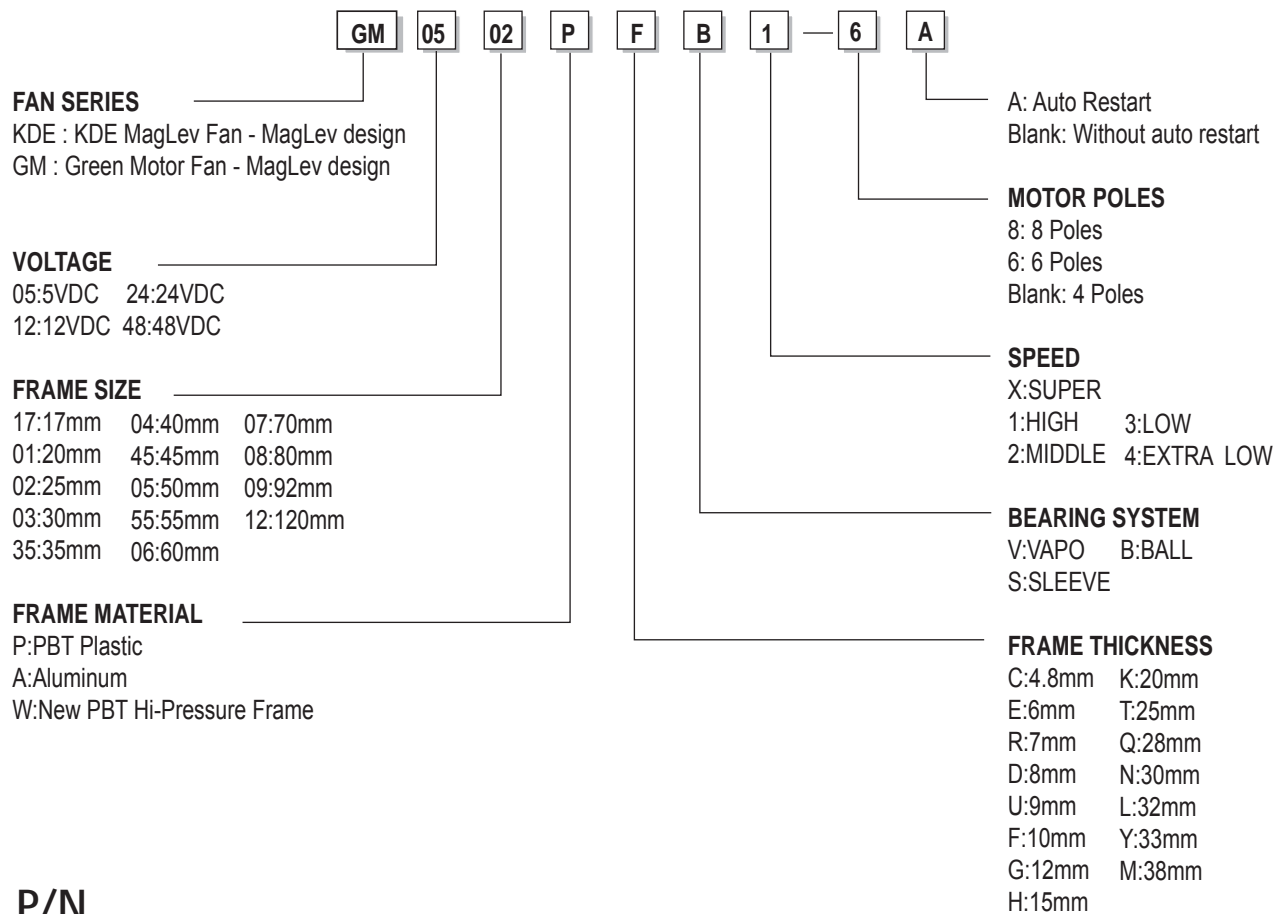


Model Numbering System

DC Brushless Fan Model Numbering System



P/N

Example: P/N: MS.V1.(2).M.C89

- 11/13 : Motor Model
- MS : MagLev Design
- V1 : New Blades
- (2) : Two ball bearing
- G : Big hub
- (7) : 7 Blades
- (9) : 9 Blades
- N : Smaller hub
- F : 3rd wire with frequency generation waveform
- R : 3rd wire with rotation detector waveform
- P : for Projector
- BXX : Special circuit design
- CXX : Different dimensions, particular process or supplementary component parts
- SXX : Customer special case
- GP : Green Partner Series

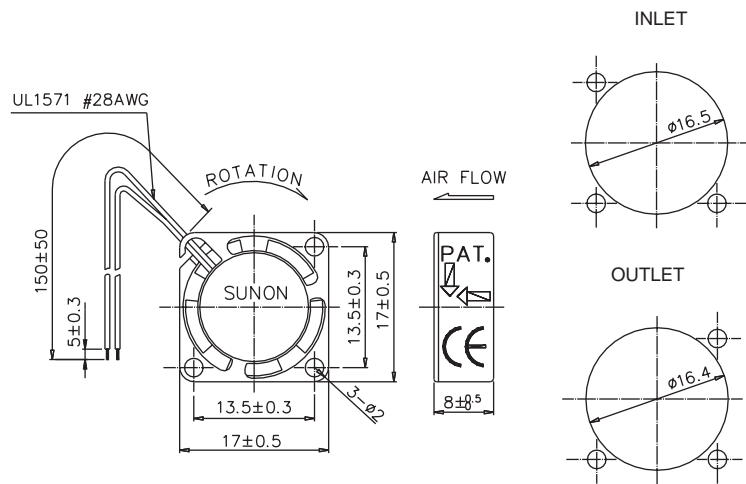
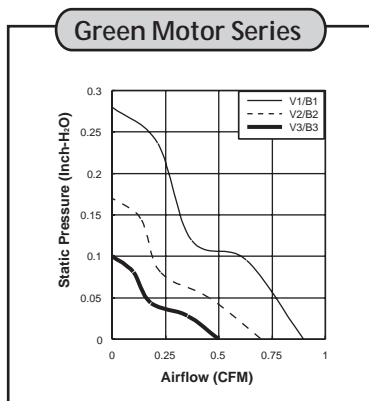
** All models could be customized on voltage or any other requirements to fit your needs.*

0.5~0.9 CFM



Green Motor Series (MagLev)

Model	P/N	Bearing	Rating Voltage (VDC)	Power Current (AMP)	Power Consumption (WATTS)	Speed (RPM)	Air Flow (CFM)	Static Pressure (Inch-H ₂ O)	Noise (dBA)	Weight (g)
GM0517PDV1-8		●	5	0.14	0.7	20000	0.9	0.28	25	4
GM0517PDV2-8		●	5	0.11	0.6	15000	0.7	0.17	16	4
GM0517PDV3-8		●	5	0.08	0.4	11000	0.5	0.10	15	4
GM0517PDB1-8	(2)	⊙	5	0.14	0.7	20000	0.9	0.28	25	4
GM0517PDB2-8	(2)	⊙	5	0.11	0.6	15000	0.7	0.17	18	4
GM0517PDB3-8	(2)	⊙	5	0.08	0.4	11000	0.5	0.10	15	4



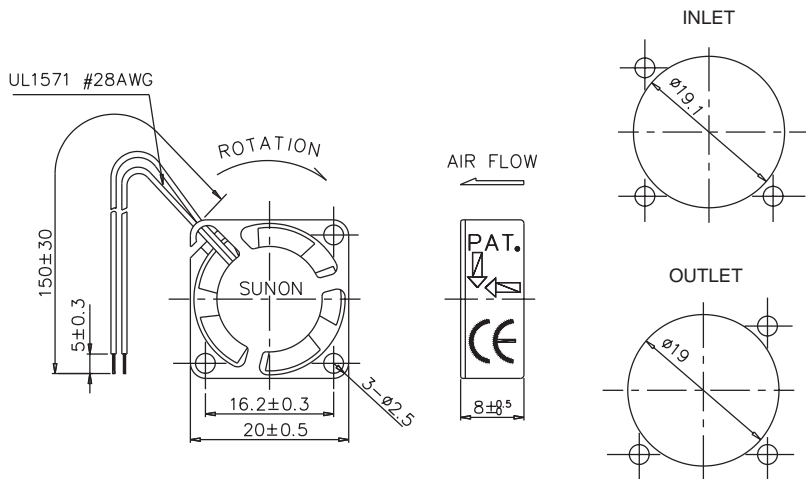
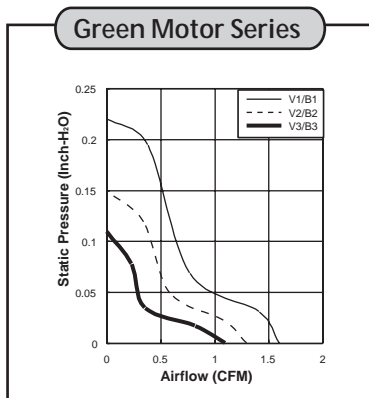
*Specifications subject to change without notice.

1.1~1.6 CFM



Green Motor Series (MagLev)

Model	P/N	Bearing	Rating Voltage (VDC)	Power Current (AMP)	Power Consumption (WATTS)	Speed (RPM)	Air Flow (CFM)	Static Pressure (Inch-H ₂ O)	Noise (dBA)	Weight (g)
GM0501PDV1-8		● VAPO	5	0.16	0.8	15000	1.6	0.22	23	5
GM0501PDV2-8		○ BALL	5	0.12	0.6	12000	1.3	0.15	21	5
GM0501PDV3-8		● 2BALL	5	0.08	0.4	9000	1.1	0.11	14	5
GM0501PDB1-8	(2)	● VAPO	5	0.16	0.8	15000	1.6	0.22	24	5
GM0501PDB2-8	(2)	○ BALL	5	0.12	0.6	12000	1.3	0.15	21	5
GM0501PDB3-8	(2)	● 2BALL	5	0.08	0.4	9000	1.1	0.11	14	5



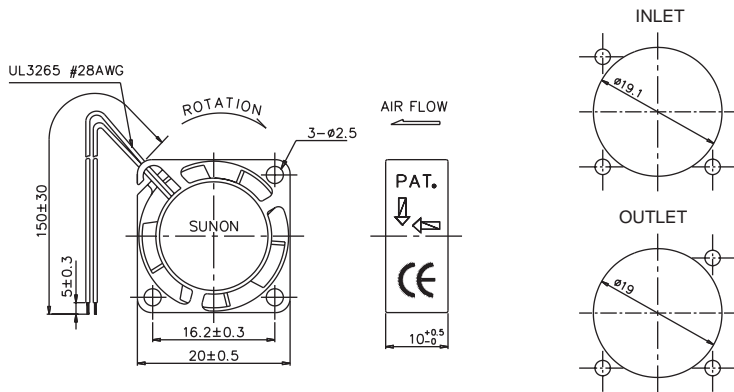
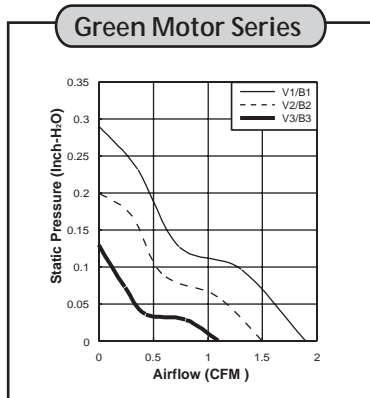
*Specifications subject to change without notice.

1.1~1.9 CFM



Green Motor Series (MagLev)

Model	P/N	Bearing	Rating Voltage (VDC)	Power Current (AMP)	Power Consumption (WATTS)	Speed (RPM)	Air Flow (CFM)	Static Pressure (Inch-H ₂ O)	Noise (dBA)	Weight (g)
GM0501PFV1-8	N	●	5	0.16	0.8	17000	1.9	0.29	25	5
GM0501PFV2-8	N	●	5	0.10	0.5	14000	1.5	0.20	20	5
GM0501PFV3-8	N	●	5	0.06	0.3	10000	1.1	0.13	15	5
GM0501PFB1-8	(2).N	⊕	5	0.16	0.8	17000	1.9	0.29	28	5
GM0501PFB2-8	(2).N	⊕	5	0.10	0.5	14000	1.5	0.20	22	5
GM0501PFB3-8	(2).N	⊕	5	0.06	0.3	10000	1.1	0.13	18	5



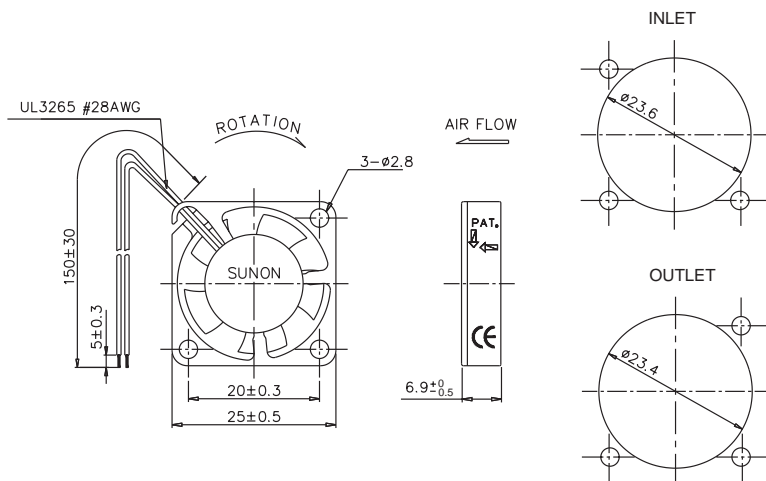
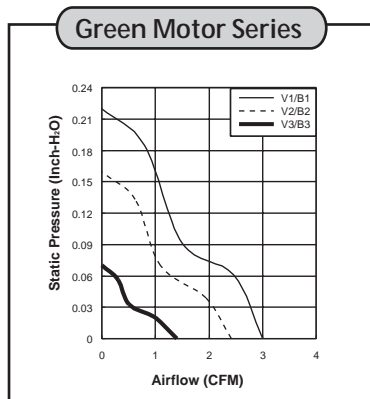
*Specifications subject to change without notice.

1.4~3.0 CFM



Green Motor Series (MagLev)

Model	P/N	Bearing	Rating Voltage (VDC)	Power Current (AMP)	Power Consumption (WATTS)	Speed (RPM)	Air Flow (CFM)	Static Pressure (Inch-H ₂ O)	Noise (dBA)	Weight (g)
GM0502PEV1-8	N	● VAPO	5	0.09	0.45	13000	3.0	0.22	31	5
GM0502PEV2-8	N	● BALL	5	0.06	0.3	10000	2.2	0.16	23	5
GM0502PEV3-8	N	● 2BALL	5	0.04	0.2	7000	1.4	0.07	15	5
GM0502PEB1-8	N	○	5	0.09	0.45	13000	3.0	0.22	32	5
GM0502PEB2-8	N	○	5	0.06	0.3	10000	2.2	0.16	24	5
GM0502PEB3-8	N	○	5	0.04	0.2	7000	1.4	0.07	16	5



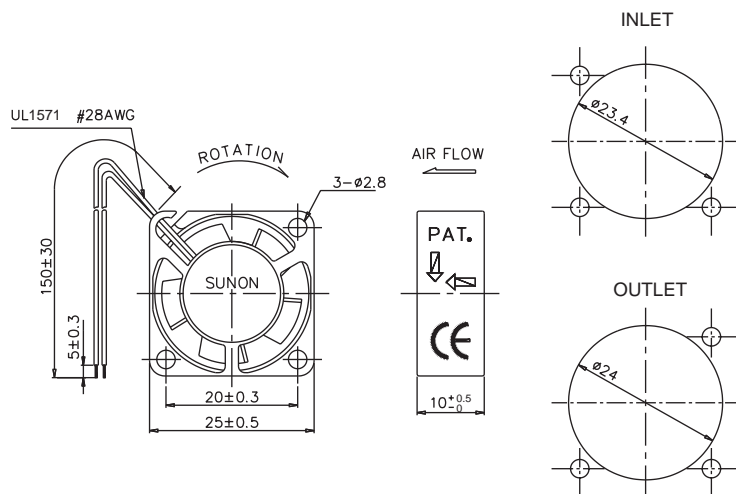
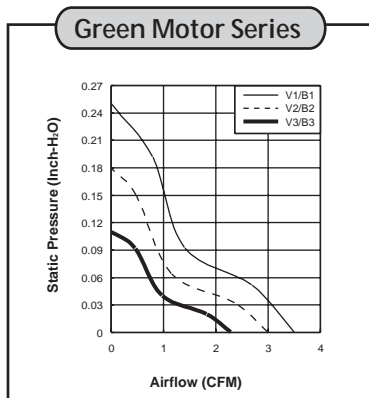
*Specifications subject to change without notice.

2.3~3.5 CFM



Green Motor Series (MagLev)

Model	P/N	Bearing	Rating Voltage (VDC)	Power Current (AMP)	Power Consumption (WATTS)	Speed (RPM)	Air Flow (CFM)	Static Pressure (Inch-H ₂ O)	Noise (dBA)	Weight (g)
GM0502PFV1-8		● VAPO	5	0.13	0.7	13000	3.5	0.25	23.0	7.2
GM0502PFV2-8		● BALL	5	0.08	0.4	10000	3.0	0.18	16.0	7.2
GM0502PFV3-8		● 2BALL	5	0.04	0.2	7000	2.3	0.11	9.5	7.2
GM0502PFB1-8		○	5	0.13	0.7	13000	3.5	0.25	25.0	7.2
GM0502PFB2-8		○	5	0.08	0.4	10000	3.0	0.18	18.0	7.2
GM0502PFB3-8		○	5	0.04	0.2	7000	2.3	0.11	11.0	7.2



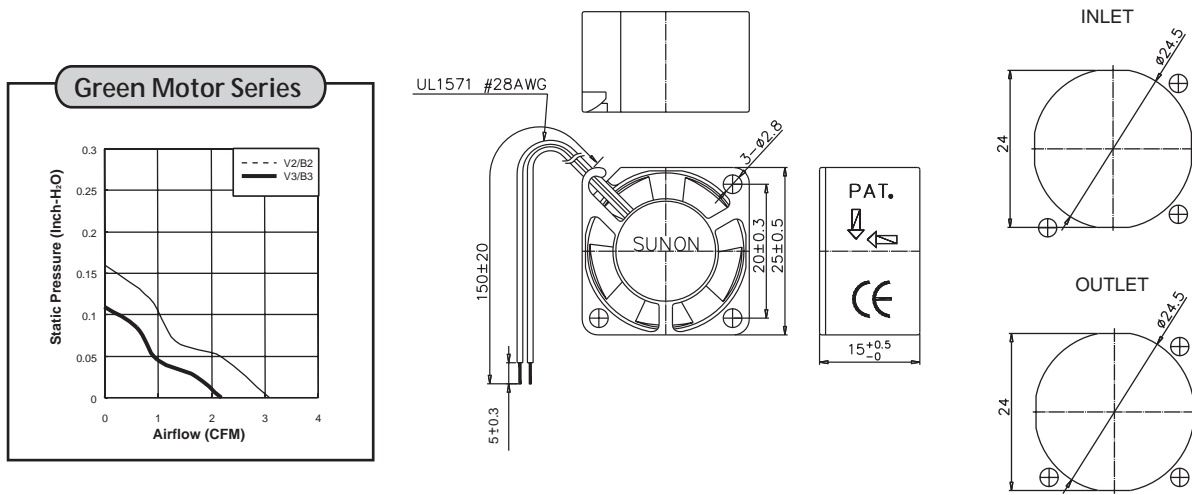
*Specifications subject to change without notice.

2.2~3.1 CFM



Green Motor Series (MagLev)

Model	P/N	Bearing	Rating Voltage (VDC)	Power Current (AMP)	Power Consumption (WATTS)	Speed (RPM)	Air Flow (CFM)	Static Pressure (Inch-H ₂ O)	Noise (dBA)	Weight (g)
GM0502PHV2-8		● VAPO	5	0.08	0.4	10000	3.1	0.16	20	11
GM0502PHV3-8		● BALL	5	0.04	0.2	7000	2.2	0.11	14	11
GM0502PHB2-8		○ 2BALL	5	0.08	0.4	10000	3.1	0.16	21	11
GM0502PHB3-8		○	5	0.04	0.2	7000	2.2	0.11	15	11



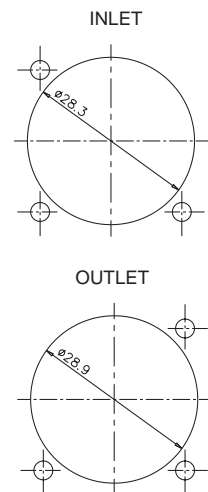
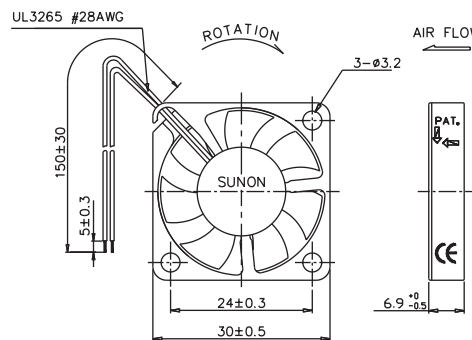
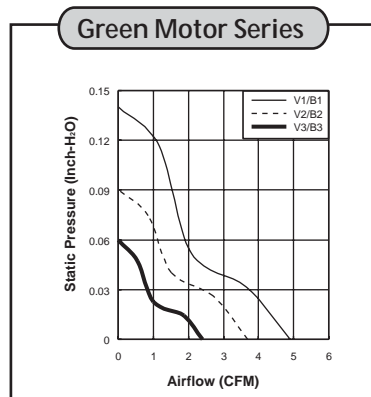
*Specifications subject to change without notice.

2.4~4.9 CFM



Green Motor Series (MagLev)

Model	P/N	Bearing	Rating Voltage (VDC)	Power Current (AMP)	Power Consumption (WATTS)	Speed (RPM)	Air Flow (CFM)	Static Pressure (Inch-H ₂ O)	Noise (dBA)	Weight (g)
GM0503PEV1-8	N	● VAPO	5	0.10	0.50	9500	4.9	0.14	28.0	6
GM0503PEV2-8	N	● BALL	5	0.07	0.35	7500	3.7	0.09	24.0	6
GM0503PEV3-8	N	● 2BALL	5	0.04	0.20	5500	2.4	0.06	16.5	6
GM0503PEB1-8	N	○ VAPO	5	0.10	0.50	9500	4.9	0.14	28.5	6
GM0503PEB2-8	N	○ BALL	5	0.07	0.35	7500	3.7	0.09	24.0	6
GM0503PEB3-8	N	○ 2BALL	5	0.04	0.20	5500	2.4	0.06	17.0	6



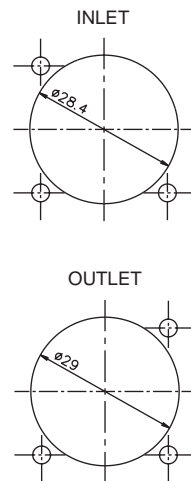
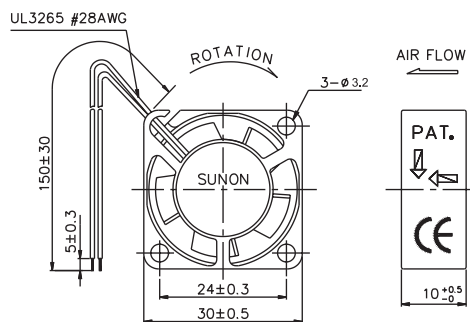
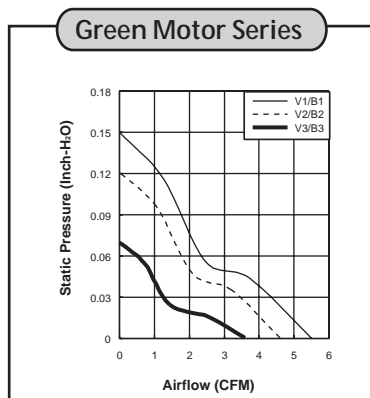
*Specifications subject to change without notice.

3.6~5.5 CFM



Green Motor Series (MagLev)

Model	P/N	Bearing	Rating Voltage (VDC)	Power Current (AMP)	Power Consumption (WATTS)	Speed (RPM)	Air Flow (CFM)	Static Pressure (Inch-H ₂ O)	Noise (dBA)	Weight (g)
GM0503PFV1-8		● VAPO	5	0.16	0.80	9500	5.5	0.15	23.0	8.7
GM0503PFV2-8		● BALL	5	0.09	0.45	8000	4.6	0.12	20.0	8.7
GM0503PFV3-8		● 2BALL	5	0.05	0.25	5500	3.6	0.07	15.0	8.7
GM0503PFB1-8		○	5	0.16	0.80	9500	5.5	0.15	25.0	8.7
GM0503PFB2-8		○	5	0.09	0.45	8000	4.6	0.12	22.0	8.7
GM0503PFB3-8		○	5	0.05	0.25	5500	3.6	0.07	15.0	8.7



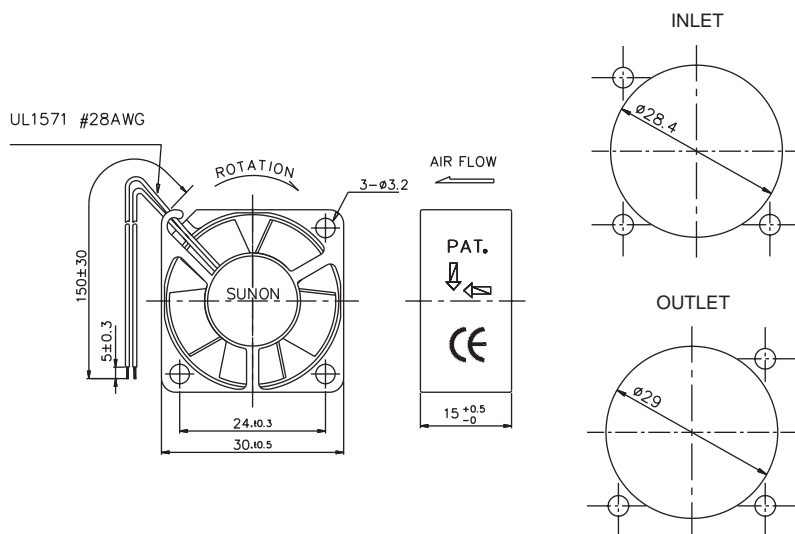
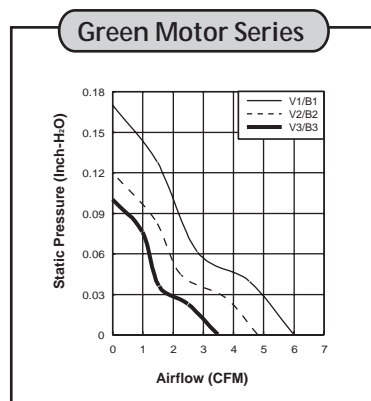
*Specifications subject to change without notice.

3.5~6.0 CFM



Green Motor Series (MagLev)

Model	P/N	Bearing	Rating Voltage (VDC)	Power Current (AMP)	Power Consumption (WATTS)	Speed (RPM)	Air Flow (CFM)	Static Pressure (Inch-H ₂ O)	Noise (dBA)	Weight (g)
GM0503PHV1-8		●	5	0.10	0.5	8500	6.0	0.17	27	12
GM0503PHV2-8		●	5	0.06	0.3	7000	4.8	0.12	20	12
GM0503PHV3-8		●	5	0.04	0.2	5500	3.5	0.10	13	12
GM0503PHB1-8		○	5	0.10	0.5	8500	6.0	0.17	27	12
GM0503PHB2-8		○	5	0.06	0.3	7000	4.8	0.12	21	12
GM0503PHB3-8		○	5	0.04	0.2	5500	3.5	0.10	14	12



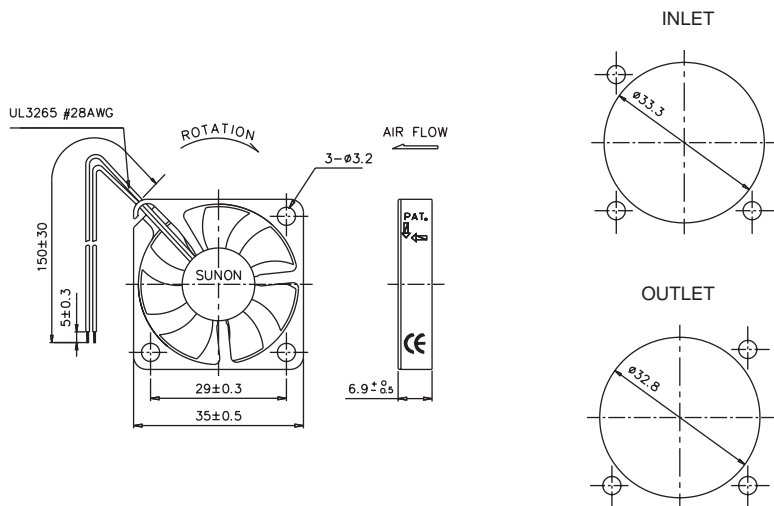
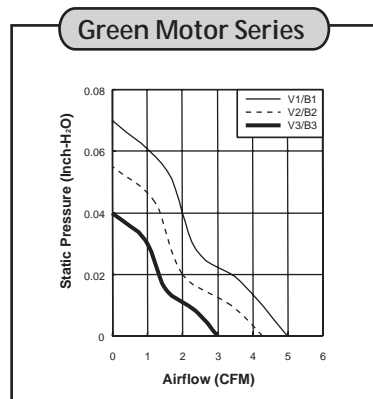
*Specifications subject to change without notice.

3~5 CFM



Green Motor Series (MagLev)

Model	P/N	Bearing	Rating Voltage (VDC)	Power Current (AMP)	Power Consumption (WATTS)	Speed (RPM)	Air Flow (CFM)	Static Pressure (Inch-H ₂ O)	Noise (dBA)	Weight (g)
GM0535PEV1-8	N	● VAPO	5	0.11	0.6	6800	5.0	0.07	23.0	7
GM0535PEV2-8	N	● BALL	5	0.07	0.35	5800	4.3	0.055	19.0	7
GM0535PEV3-8	N	● 2BALL	5	0.05	0.25	4500	3.0	0.04	13.0	7
GM0535PEB1-8	N	○ VAPO	5	0.11	0.6	6800	5.0	0.07	23.5	7
GM0535PEB2-8	N	○ BALL	5	0.07	0.35	5800	4.3	0.055	19.5	7
GM0535PEB3-8	N	○ 2BALL	5	0.05	0.25	4500	3.0	0.04	13.5	7



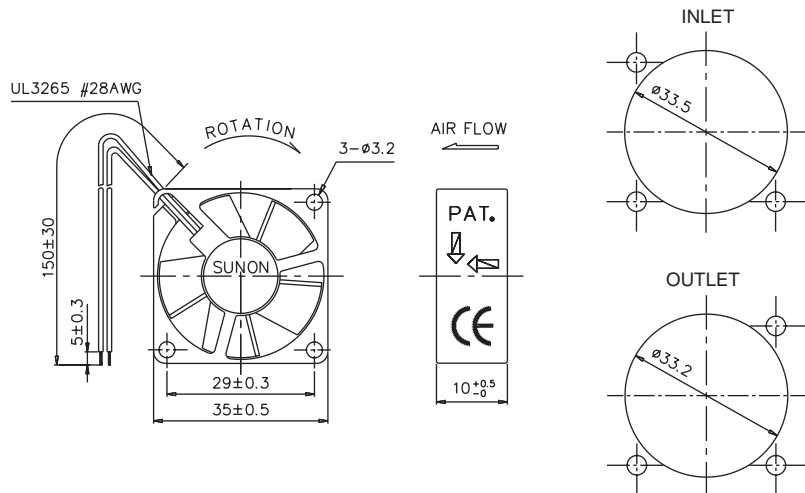
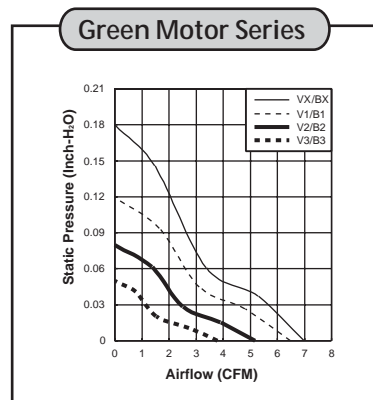
*Specifications subject to change without notice.

3.8~7 CFM



Green Motor Series (MagLev)

Model	P/N	Bearing	Rating Voltage (VDC)	Power Current (AMP)	Power Consumption (WATTS)	Speed (RPM)	Air Flow (CFM)	Static Pressure (Inch-H ₂ O)	Noise (dBA)	Weight (g)
GM0535PFVX-8		● VAPO	5	0.16	0.80	9500	7.0	0.18	28	10.5
GM0535PFV1-8		● BALL	5	0.09	0.45	7500	6.5	0.12	22	10.5
GM0535PFV2-8		● 2BALL	5	0.05	0.25	6000	5.2	0.08	16	10.5
GM0535PFV3-8		●	5	0.04	0.20	4500	3.8	0.05	13	10.5
GM0535PFBX-8		○	5	0.16	0.80	9500	7.0	0.18	29	10.5
GM0535PFB1-8		○	5	0.09	0.45	7500	6.5	0.12	23	10.5
GM0535PFB2-8		○	5	0.05	0.25	6000	5.2	0.08	16	10.5
GM0535PFB3-8		○	5	0.04	0.20	4500	3.8	0.05	14	10.5



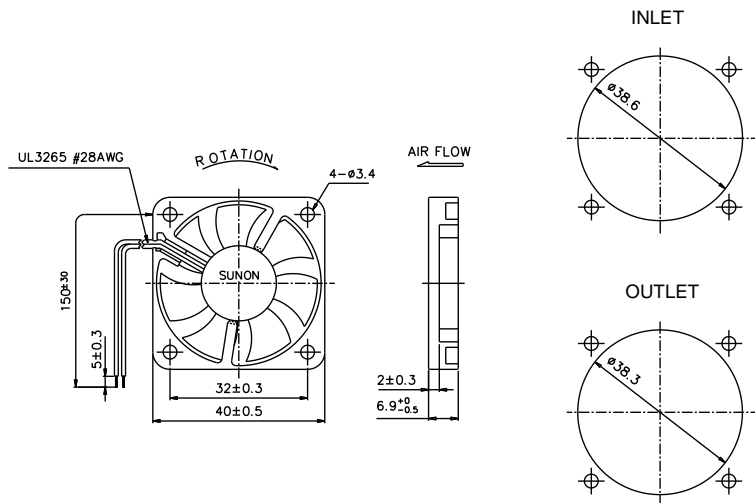
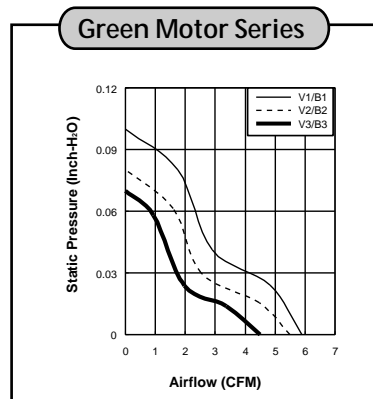
*Specifications subject to change without notice.

4.5~5.9 CFM



Green Motor Series (MagLev)

Model	P/N	Bearing	Rating Voltage (VDC)	Power Current (AMP)	Power Consumption (WATTS)	Speed (RPM)	Air Flow (CFM)	Static Pressure (Inch-H ₂ O)	Noise (dBA)	Weight (g)
GM0504PEV1-8		● VAPO	5	0.07	0.35	7000	5.9	0.10	32.0	7.5
GM0504PEV2-8		● BALL	5	0.06	0.30	6000	5.5	0.08	26.0	7.5
GM0504PEV3-8		● 2BALL	5	0.04	0.20	5000	4.5	0.06	22.5	7.5
GM0504PEB1-8		○	5	0.07	0.35	7000	5.9	0.10	32.0	7.5
GM0504PEB2-8		○	5	0.06	0.30	6000	5.5	0.08	27.0	7.5
GM0504PEB3-8		○	5	0.04	0.20	5000	4.5	0.06	23.0	7.5



*Specifications subject to change without notice.