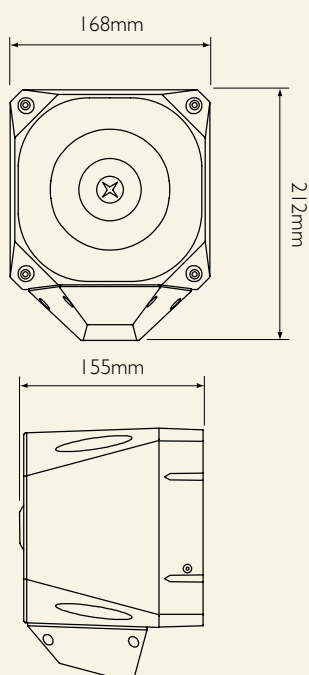


ASSERTA 230 VOLT HIGH OUTPUT SOUNDER / BEACON



Specification

Voltage	230Vac
Current	110dB(A) = 50mA 120dB(A) = 105mA
Output @ 1m	110dB(A) 120dB(A)
Tones	42
Alarm Stages	3
Flash Rate	1Hz
Flash Power	2.0j
Temperature	- 20°C to + 70°C
Construction Body	PC / ABS
Construction Lens	Polycarbonate
IP Rating	IP66
Weight	2.5Kg
Body Colour	Red or Grey
Lens Colour	Red, Amber or Clear

The Asserta Industrial warning sounder / beacon is designed to cope with harsh environments requiring protection to IP66. Design features are incorporated to ensure safer and easier installation, while providing flexibility with fewer product variants.

- 230Vac OPERATION
- 110dB(A) OR 120dB(A) OUTPUT VERSION AVAILABLE
- IP66 PROTECTION
- FULLY INTEGRATED ASYMMETRIC BEACON USES LIGHT MORE EFFICIENTLY
- SIMPLE FIRST & SECOND FIX INSTALLATION
- 42 ALARM TONES
- 3 STAGE ALARM
- SOUNDER TIME OUT - USER ADJUSTABLE
- OPTIONAL SWIVEL MOUNT BRACKET