

# Data sheet: Safety Isolating Transformers Type VCM

---

Description ..... : Safety isolating transformer constructed and tested according to VDE 0570/EN 61 558, UL 506, CSA 22.2

Approvals ..... : According to table

Test voltage ..... PRI - SEC 5000 V, 50 Hz  
SEC – SEC 250 V, 50Hz

Short-circuit protection ..... : non-short-circuit proof

Construction ..... : Open design, potted in insulation housing

Safety class ..... : Prepared for class II equipment

Protection index ..... : Connections IP 00  
Housing IP 65

Max ambient temperature .... : According to table

Insulation class of the insulation system ..... : VDE (B= 130°C) ; UL+CSA Class 105 (A=105°C)

Input voltage ..... : 230V

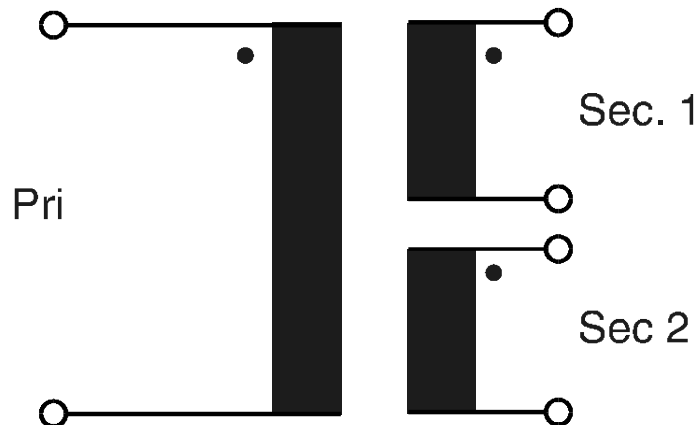
Frequency ..... : 50 - 60 Hz

Output voltage ..... : According to table

Connections ..... : Soldering pins for printed circuit board mounting  
..... VCM 50 with faston connectors (Prim 4,8x0,8; Sec 6,3x0,8)

Packing ..... : Separately packed in cartons

Schematic plan :



Description :

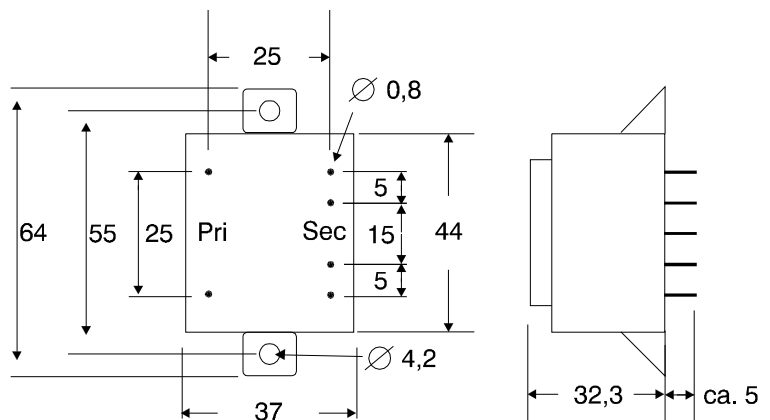
-----  
 These VCM type resin moulded safety isolating transformers,  
 are non-short-circuit proof transformers for PCB mounting.  
 The dual output windings are for series or parallel connection.

Note :

- \* vacuum epoxy resin moulded (self-extinguishing to UL 94 V0)
- \* 100% tested
- \* Two chamber bobbin construction

**Output power 5 VA** Core-type EI 42/14,8  
 Height 32,3 mm Weight 190g  
 Ground area 64,0 mm x 37,0 mm


Type	SEC rated output-voltage V	current A	Approvals
VCM 5/2/6	2x6	2x0,416	1,2
VCM 5/2/8	2x8	2x0,321	1,2
VCM 5/2/9	2x9	2x0,277	1,2
VCM 5/2/12	2x12	2x0,208	1,2
VCM 5/2/15	2x15	2x0,166	1,2
VCM 5/2/18	2x18	2x0,138	1,2
VCM 5/2/24*	2x24	2x0,104	2




according to VDE 0570/EN 61 558 -1 : 1997 with part 2-6  
 \*according to VDE 0570/EN 61 558 -1 : 1997 with part 2-1

No load output voltage x Factor = typ. 1,25  
 Core Losses typ. 0,26 W  
 Efficiency typ. 77 %  
 Ambient Temperature (ta) +50°C

Approvals



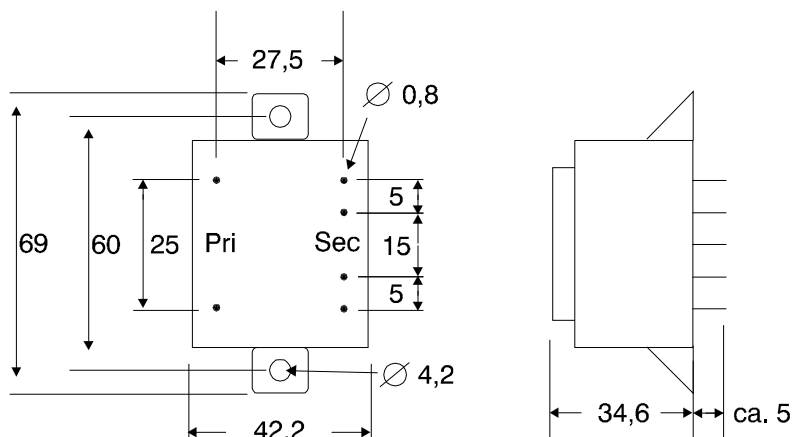
(1)



(2)

Height 34,6 mm      Weight 280g  
 Ground area 69,0 mm x 42,2 mm

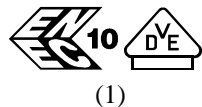
Type	SEC rated output-		Approvals
	voltage V	current A	
VCM 10/2/6	2x6	2x0,833	1,2
VCM 10/2/8	2x8	2x0,625	1,2
VCM 10/2/9	2x9	2x0,555	1,2
VCM 10/2/12	2x12	2x0,416	1,2
VCM 10/2/15	2x15	2x0,333	1,2
VCM 10/2/18	2x18	2x0,277	1,2
VCM 10/2/24*	2x24	2x0,208	2



according to VDE 0570/EN 61 558 -1 : 1997 with part 2-6  
 \*according to VDE 0570/EN 61 558 -1 : 1997 with part 2-1

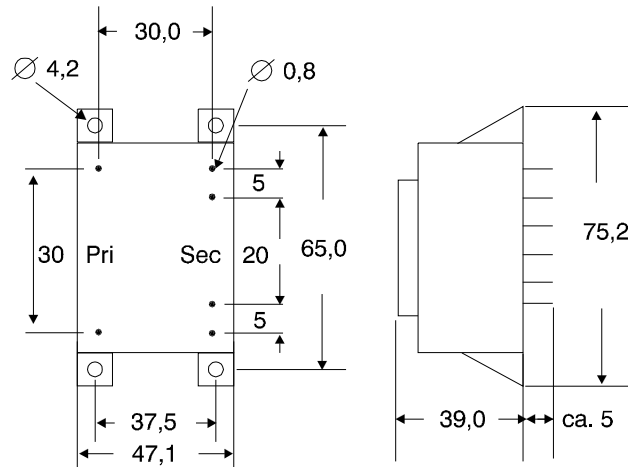
No load output voltage x Factor = typ. 1,22  
 Core Losses typ. 0,56 W  
 Efficiency typ. 79 %  
 Ambient Temperature (ta) +40°C

Approvals



Height 39 mm      Weight 420g  
 Ground area 75,2 mm x 47,1 mm

Type	SEC rated output-		Approvals
	voltage V	current A	
VCM 16/2/6	2x6	2x1,33	1,2
VCM 16/2/8	2x8	2x1,00	1,2
VCM 16/2/9	2x9	2x0,88	1,2
VCM 16/2/12	2x12	2x0,66	1,2
VCM 16/2/15	2x15	2x0,53	1,2
VCM 16/2/18	2x18	2x0,44	1,2
VCM 16/2/24*	2x24	2x0,33	2



according to VDE 0570/EN 61 558 -1 : 1997 with part 2-6  
 \*according to VDE 0570/EN 61 558 -1 : 1997 with part 2-1

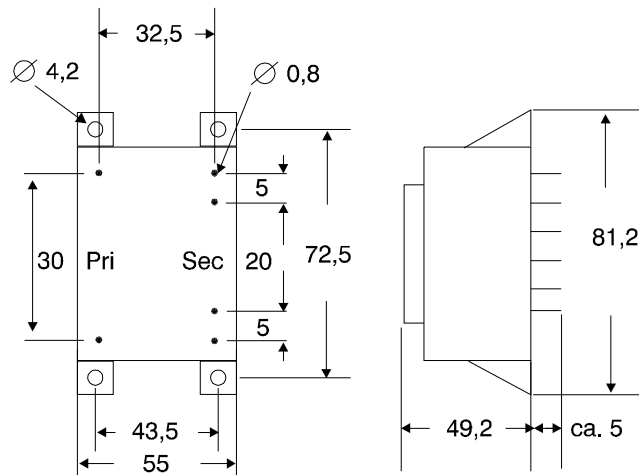
No load output voltage x Factor = typ. 1,20  
 Core Losses typ. 0,58 W  
 Efficiency typ. 80 %  
 Ambient Temperature (ta) +40°C

Approvals  (1)

 (2)

Height 49,2 mm      Weight 610g  
 Ground area 81,2 mm x 55,0 mm

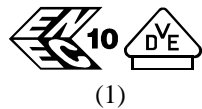
Type	SEC rated output-		Approvals
	voltage V	current A	
VCM 25/2/6	2x6	2x2,083	1,2
VCM 25/2/8	2x8	2x1,562	1,2
VCM 25/2/9	2x9	2x1,388	1,2
VCM 25/2/12	2x12	2x1,041	1,2
VCM 25/2/15	2x15	2x0,833	1,2
VCM 25/2/18	2x18	2x0,694	1,2
VCM 25/2/24*	2x24	2x0,520	2



according to VDE 0570/EN 61 558 -1 : 1997 with part 2-6  
 \*according to VDE 0570/EN 61 558 -1 : 1997 with part 2-1

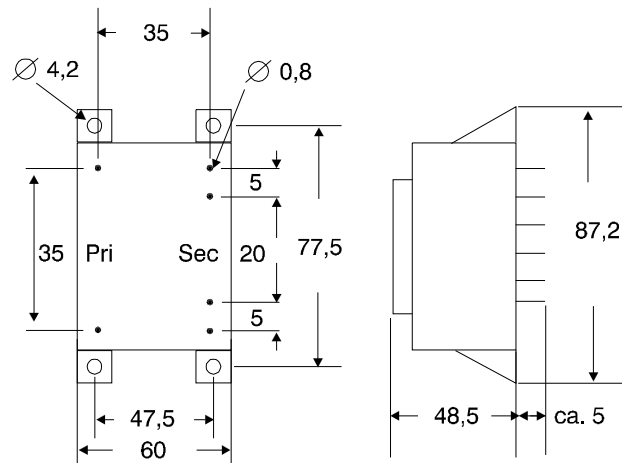
No load output voltage x Factor = typ. 1,12  
 Core Losses typ. 1,9 W  
 Efficiency typ. 82 %  
 Ambient Temperature (ta) +40°C

Approvals



Height 48,5 mm      Weight 750g  
 Ground area 87,2 mm x 60 mm

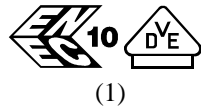
Type	SEC rated output-		Approvals
	voltage V	current A	
VCM 36/2/6	2x6	2x3,00	1,2
VCM 36/2/8	2x8	2x2,25	1,2
VCM 36/2/9	2x9	2x2,00	1,2
VCM 36/2/12	2x12	2x1,50	1,2
VCM 36/2/15	2x15	2x1,20	1,2
VCM 36/2/18	2x18	2x1,00	1,2
VCM 36/2/24*	2x24	2x0,75	2



according to VDE 0570/EN 61 558 -1 : 1997 with part 2-6  
 \*according to VDE 0570/EN 61 558 -1 : 1997 with part 2-1

No load output voltage x Factor = typ. 1,11  
 Core Losses typ. 2,5 W  
 Efficiency typ. 83 %  
 Ambient Temperature (ta) +40°C

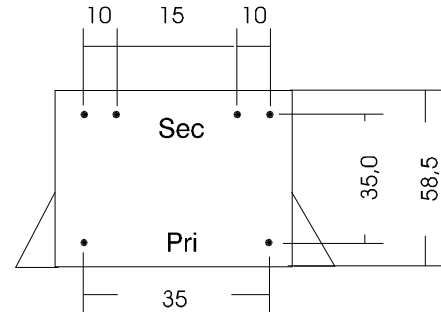
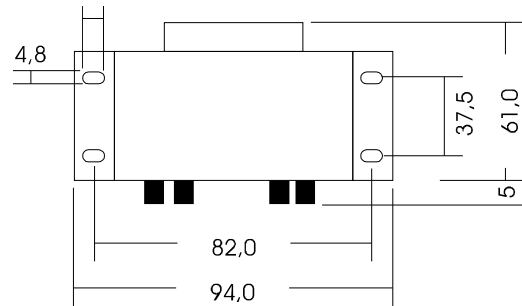
Approvals



Height 58,5 mm      Weight 990g

Ground area 94,0 mm x 61 mm

Type	SEC rated output-		Approvals
	voltage V	current A	
VCM 50/2/6	2x6	2x4,166	1,2
VCM 50/2/8	2x8	2x3,125	1,2
VCM 50/2/9	2x9	2x2,777	1,2
VCM 50/2/12	2x12	2x2,083	1,2
VCM 50/2/15	2x15	2x1,666	1,2
VCM 50/2/18	2x18	2x1,388	1,2
VCM 50/2/24*	2x24	2x1,041	2



according to VDE 0570/EN 61 558 -1 : 1997 with part 2-6  
\*according to VDE 0570/EN 61 558 -1 : 1997 with part 2-1

No load output voltage x Factor = typ. 1,09  
Core Losses typ. 3,1 W  
Efficiency typ. 87 %  
Ambient Temperature (ta) +40°C

Approvals

