

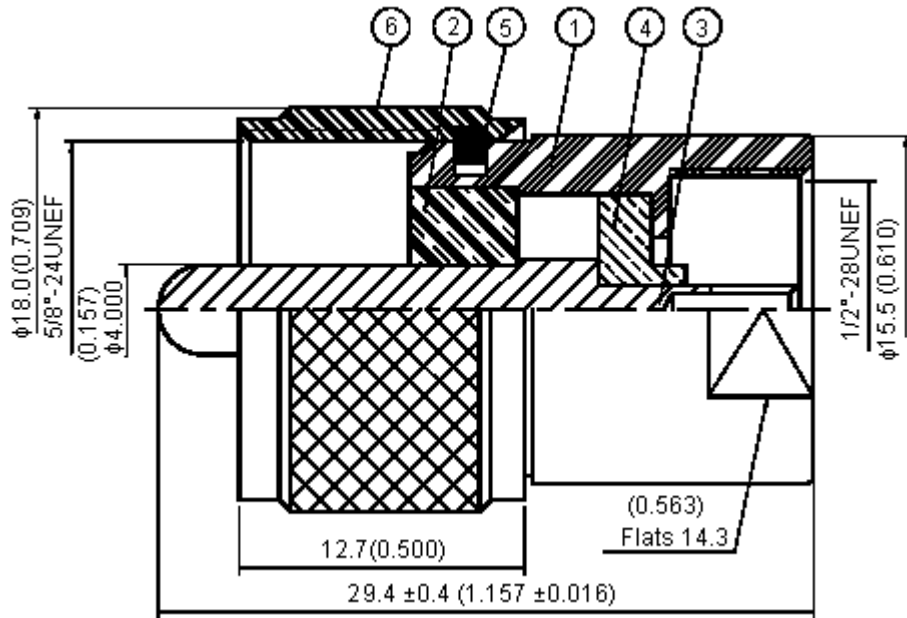


PART NO.

427-2717

REVISIONS

ECN #	REV	DESCRIPTION	DRAWN	DATE	CHECKD	DATE	APPRVD	DATE
-	A	RELEASED	Veena	16/4/08	Suresh	16/4/08	G. C	30/4/08



Dimensions : Millimetres (Inches)

Specifications:

Bodies : Brass per JIS - C3604.
 Centre Contact : Brass per JIS - C3604.
 Insulation : Teflon per ASTM D1457 and ASTM D1710.
 Part to be clean and free of burrs.

Specification Table

Number	Description	Material	Finish
1	Body	Brass	Nickel 100 μ m Minimum
2	Insulation	Teflon	None
3	Centre Contact	Brass	Gold
4	Insulation	Teflon	None
5	Washer	Brass	
6	Shell		Nickel 100 μ m Minimum

This data sheet and its contents (the "Information") belong to the Premier Farnell Group (the "Group") or are licensed to it. No licence is granted for the use of it other than for information purposes in connection with the products to which it relates. No licence of any intellectual property rights is granted. The Information is subject to change without notice and replaces all data sheets previously supplied. The Information supplied is believed to be accurate but the Group assumes no responsibility for its accuracy or completeness, any error in or omission from it or for any use made of it. Users of this data sheet should check for themselves the Information and the suitability of the products for their purpose and not make any assumptions based on information included or omitted. Liability for loss or damage resulting from any reliance on the Information or use of it (including liability resulting from negligence or where the Group was aware of the possibility of such loss or damage arising) is excluded. This will not operate to limit or restrict the Group's liability for death or personal injury resulting from its negligence. SPC MULTICOMP is the registered trademark of the Group. © Premier Farnell plc 2007.

TOLERANCES:
 UNLESS OTHERWISE SPECIFIED, DIMENSIONS ARE FOR REFERENCE PURPOSES ONLY.

DRAWN BY:	DATE:
Veena	16/04/08
CHECKED BY:	DATE:
Suresh	16/04/08
APPROVED BY:	DATE:
G.Cook	30/04/08

DRAWING TITLE:

Adapter Kit - RF

SIZE A	DWG NO. M10000863	ELECTRONIC FILE 1169659_DWG	REV A
SCALE: NTS		U.O.M.: mm (Inches)	SHEET: 1 OF 17

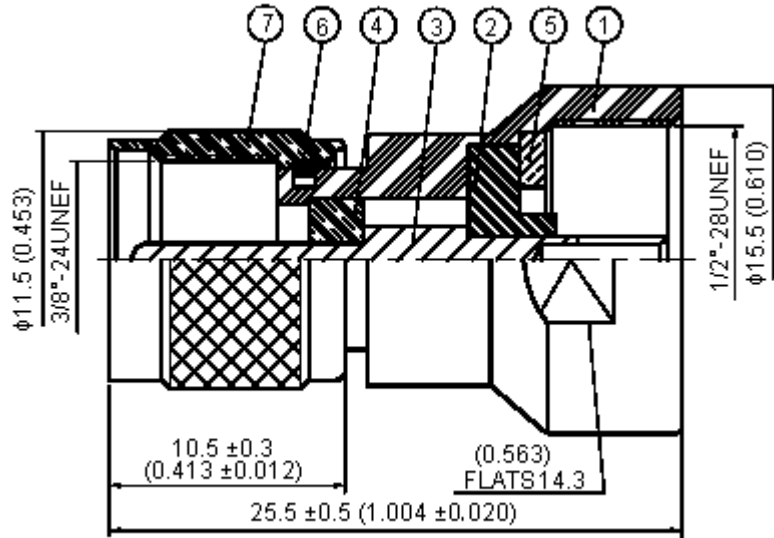


PART NO.

427-2717

REVISIONS

ECN #	REV	DESCRIPTION	DRAWN	DATE	CHECKD	DATE	APPRVD	DATE
-	A	RELEASED	Veena	16/4/08	Suresh	16/4/08	G. C	30/4/08



Dimensions : Millimetres (Inches)

Specifications:

Bodies : Brass per JIS - C3604.
 Centre Contact : Brass per JIS - C3604.
 Insulation : Teflon per ASTM D1457 and ASTM D1710.
 Part to be clean and free of burrs.

Specification Table

Number	Description	Material	Finish
1	Body	Brass	Nickel 100µ" Minimum
2	Insulation	Teflon	None
3	Centre Contact	Brass	Gold
4	Insulation	Teflon	None
5	Sleeve	Brass	Nickel 100µ" Minimum
6	Washer		None
7	Shell		Nickel 100µ" Minimum

This data sheet and its contents (the "Information") belong to the Premier Farnell Group (the "Group") or are licensed to it. No licence is granted for the use of it other than for information purposes in connection with the products to which it relates. No licence of any intellectual property rights is granted. The Information is subject to change without notice and replaces all data sheets previously supplied. The Information supplied is believed to be accurate but the Group assumes no responsibility for its accuracy or completeness, any error in or omission from it or for any use made of it. Users of this data sheet should check for themselves the Information and the suitability of the products for their purpose and not make any assumptions based on information included or omitted. Liability for loss or damage resulting from any reliance on the Information or use of it (including liability resulting from negligence or where the Group was aware of the possibility of such loss or damage arising) is excluded. This will not operate to limit or restrict the Group's liability for death or personal injury resulting from its negligence. SPC MULTICOMP is the registered trademark of the Group. © Premier Farnell plc 2007.

TOLERANCES:
 UNLESS OTHERWISE SPECIFIED, DIMENSIONS ARE FOR REFERENCE PURPOSES ONLY.

DRAWN BY:	DATE:
Veena	16/04/08
CHECKED BY:	DATE:
Suresh	16/04/08
APPROVED BY:	DATE:
G.Cook	30/04/08

DRAWING TITLE:

Adapter Kit - RF

SIZE A	DWG NO. M10000863	ELECTRONIC FILE 1169659_DWG	REV A
SCALE: NTS		U.O.M.: mm (Inches)	SHEET: 2 OF 17

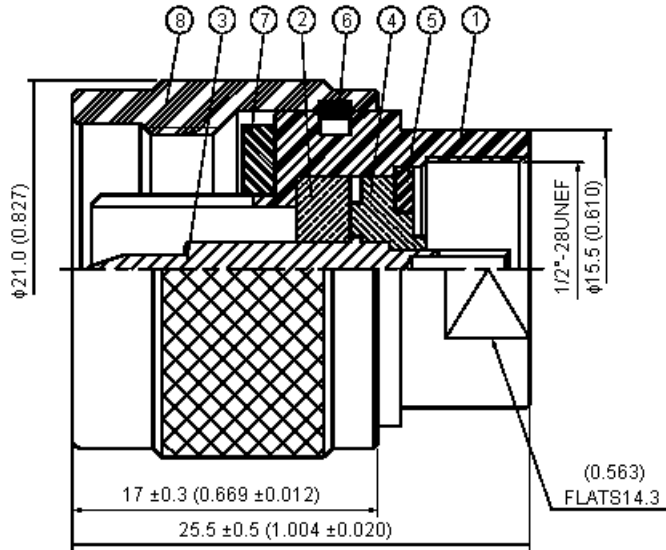


PART NO.

427-2717

REVISIONS

ECN #	REV	DESCRIPTION	DRAWN	DATE	CHECKD	DATE	APPRVD	DATE
-	A	RELEASED	Veena	16/4/08	Suresh	16/4/08	G. C	30/4/08



Dimensions : Millimetres (Inches)

Specifications:

Bodies : Brass per JIS - C3604.
 Centre Contact : Brass per JIS - C3604.
 Insulation : Teflon per ASTM D1457 and ASTM D1710.
 Connector interface per MIL-STD-346A.
 Part to be clean and free of burrs.

Specification Table

Number	Description	Material	Finish
1	Body	Brass	Nickel 100µ" Minimum
2	Insulation	Teflon	None
3	Centre Contact	Brass	Gold
4	Insulation	Teflon	None
5	Washer I	Brass	Nickel 100µ" Minimum
6	Washer II		None
7	Gasket	Silicone	Red
8	Shell	Brass	Nickel 100m" Minimum

This data sheet and its contents (the "Information") belong to the Premier Farnell Group (the "Group") or are licensed to it. No licence is granted for the use of it other than for information purposes in connection with the products to which it relates. No licence of any intellectual property rights is granted. The Information is subject to change without notice and replaces all data sheets previously supplied. The Information supplied is believed to be accurate but the Group assumes no responsibility for its accuracy or completeness, any error in or omission from it or for any use made of it. Users of this data sheet should check for themselves the Information and the suitability of the products for their purpose and not make any assumptions based on information included or omitted. Liability for loss or damage resulting from any reliance on the Information or use of it (including liability resulting from negligence or where the Group was aware of the possibility of such loss or damage arising) is excluded. This will not operate to limit or restrict the Group's liability for death or personal injury resulting from its negligence. SPC MULTICOMP is the registered trademark of the Group. © Premier Farnell plc 2007.

TOLERANCES:
 UNLESS OTHERWISE SPECIFIED, DIMENSIONS ARE FOR REFERENCE PURPOSES ONLY.

DRAWN BY:	DATE:
Veena	16/04/08
CHECKED BY:	DATE:
Suresh	16/04/08
APPROVED BY:	DATE:
G.Cook	30/04/08

DRAWING TITLE:

Adapter Kit - RF

SIZE A	DWG NO. M10000863	ELECTRONIC FILE 1169659_DWG	REV A
SCALE: NTS		U.O.M.: mm (Inches)	SHEET: 3 OF 17

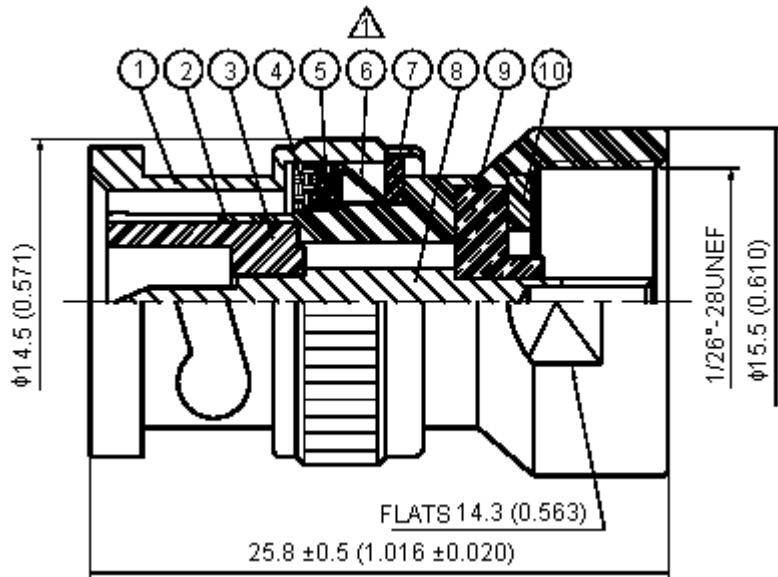


PART NO.

427-2717

REVISIONS

ECN #	REV	DESCRIPTION	DRAWN	DATE	CHECKD	DATE	APPRVD	DATE
-	A	RELEASED	Veena	16/4/08	Suresh	16/4/08	G. C	30/4/08



Dimensions : Millimetres (Inches)

Specifications:

- Bodies : Brass per JIS - C3604.
- Centre Contact : Brass per JIS - C3604.
- Insulation : Teflon per ASTM D1457 and ASTM D1710.
- Connector Interface per MIL-STD-S48A.
- Part to be clean and free of burrs.

This data sheet and its contents (the "Information") belong to the Premier Farnell Group (the "Group") or are licensed to it. No licence is granted for the use of it other than for information purposes in connection with the products to which it relates. No licence of any intellectual property rights is granted. The Information is subject to change without notice and replaces all data sheets previously supplied. The Information supplied is believed to be accurate but the Group assumes no responsibility for its accuracy or completeness, any error in or omission from it or for any use made of it. Users of this data sheet should check for themselves the Information and the suitability of the products for their purpose and not make any assumptions based on information included or omitted. Liability for loss or damage resulting from any reliance on the Information or use of it (including liability resulting from negligence or where the Group was aware of the possibility of such loss or damage arising) is excluded. This will not operate to limit or restrict the Group's liability for death or personal injury resulting from its negligence. SPC MULTICOMP is the registered trademark of the Group. © Premier Farnell plc 2007.

TOLERANCES:
UNLESS OTHERWISE SPECIFIED, DIMENSIONS ARE FOR REFERENCE PURPOSES ONLY.

DRAWN BY:	DATE:
Veena	16/04/08
CHECKED BY:	DATE:
Suresh	16/04/08
APPROVED BY:	DATE:
G.Cook	30/04/08

DRAWING TITLE:

Adapter Kit - RF

SIZE A	DWG NO. M10000863	ELECTRONIC FILE 1169659_DWG	REV A
SCALE: NTS		U.O.M.: mm (Inches)	SHEET: 4 OF 17



PART NO.

427-2717

REVISIONS

ECN #	REV	DESCRIPTION	DRAWN	DATE	CHECKD	DATE	APPRVD	DATE
-	A	RELEASED	Veena	16/4/08	Suresh	16/4/08	G. C	30/4/08

Specification Table

Number	Description	Material	Finish
1	Shell	Brass	Nickel 100μ" Minimum
2	Body		
3	Insulation	Teflon	None
4	Gasket	Silicone	Red
5	Washer	Brass	Nickel 100μ" Minimum
6	Spring Washer	SK-5	
7	Washer	Brass	
8	Centre Contact		Gold
9	Insulation	Teflon	None
10	Washrt	Brass	Nickel 100m" Minimum

This data sheet and its contents (the "Information") belong to the Premier Farnell Group (the "Group") or are licensed to it. No licence is granted for the use of it other than for information purposes in connection with the products to which it relates. No licence of any intellectual property rights is granted. The Information is subject to change without notice and replaces all data sheets previously supplied. The Information supplied is believed to be accurate but the Group assumes no responsibility for its accuracy or completeness, any error in or omission from it or for any use made of it. Users of this data sheet should check for themselves the Information and the suitability of the products for their purpose and not make any assumptions based on information included or omitted. Liability for loss or damage resulting from any reliance on the Information or use of it (including liability resulting from negligence or where the Group was aware of the possibility of such loss or damage arising) is excluded. This will not operate to limit or restrict the Group's liability for death or personal injury resulting from its negligence. SPC MULTICOMP is the registered trademark of the Group. © Premier Farnell plc 2007.

TOLERANCES:
UNLESS OTHERWISE SPECIFIED, DIMENSIONS ARE FOR REFERENCE PURPOSES ONLY.

DRAWN BY:	DATE:
Veena	16/04/08
CHECKED BY:	DATE:
Suresh	16/04/08
APPROVED BY:	DATE:
G.Cook	30/04/08

DRAWING TITLE:

Adapter Kit - RF

SIZE A	DWG NO. M10000863	ELECTRONIC FILE 1169659_DWG	REV A
SCALE: NTS		U.O.M.: mm (Inches)	SHEET: 5 OF 17

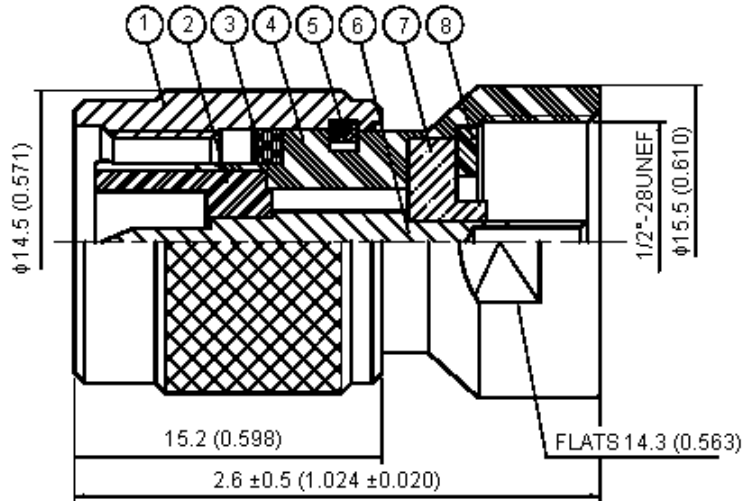


PART NO.

427-2717

REVISIONS

ECN #	REV	DESCRIPTION	DRAWN	DATE	CHECKD	DATE	APPRVD	DATE
-	A	RELEASED	Veena	16/4/08	Suresh	16/4/08	G. C	30/4/08



Dimensions : Millimetres (Inches)

Specifications:

Bodies : Brass per JIS - C3604.
 Centre Contact : Brass per JIS - C3604.
 Insulation : Teflon per ASTM D1457 and ASTM D1710.
 Connector interface per MIL-STD-348A.
 Part to be clean and free of burrs.

Specification Table

Number	Description	Material	Finish
1	Shell	Brass	Nickel 100 μ " Minimum
2	Insulation	Teflon	None
3	Gasket	Rubber	
4	Body	Brass	Nickel 100 μ " Minimum
5	Washer		None
6	Centre Contact		Gold
7	Insulation	Teflon	None
8	Washer	Brass	Nickel 100 μ " Minimum

This data sheet and its contents (the "Information") belong to the Premier Farnell Group (the "Group") or are licensed to it. No licence is granted for the use of it other than for information purposes in connection with the products to which it relates. No licence of any intellectual property rights is granted. The Information is subject to change without notice and replaces all data sheets previously supplied. The Information supplied is believed to be accurate but the Group assumes no responsibility for its accuracy or completeness, any error in or omission from it or for any use made of it. Users of this data sheet should check for themselves the Information and the suitability of the products for their purpose and not make any assumptions based on information included or omitted. Liability for loss or damage resulting from any reliance on the Information or use of it (including liability resulting from negligence or where the Group was aware of the possibility of such loss or damage arising) is excluded. This will not operate to limit or restrict the Group's liability for death or personal injury resulting from its negligence. SPC MULTICOMP is the registered trademark of the Group. © Premier Farnell plc 2007.

TOLERANCES:
 UNLESS OTHERWISE SPECIFIED, DIMENSIONS ARE FOR REFERENCE PURPOSES ONLY.

DRAWN BY:	DATE:
Veena	16/04/08
CHECKED BY:	DATE:
Suresh	16/04/08
APPROVED BY:	DATE:
G.Cook	30/04/08

DRAWING TITLE:

Adapter Kit - RF

SIZE A	DWG NO. M10000863	ELECTRONIC FILE 1169659_DWG	REV A
SCALE: NTS		U.O.M.: mm (Inches)	SHEET: 6 OF 17

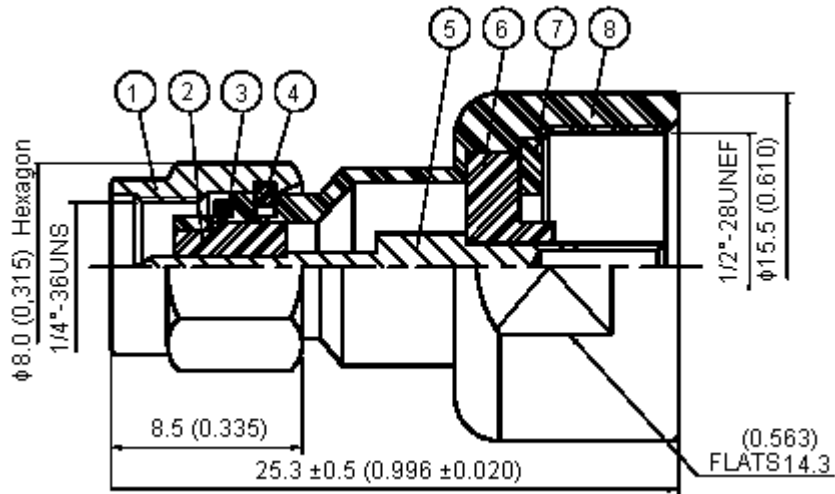


PART NO.

427-2717

REVISIONS

ECN #	REV	DESCRIPTION	DRAWN	DATE	CHECKD	DATE	APPRVD	DATE
-	A	RELEASED	Veena	16/4/08	Suresh	16/4/08	G. C	30/4/08



Dimensions : Millimetres (Inches)

Specifications:

Bodies : Brass per JIS - C3604.
 Centre Contact : Brass per JIS - C3604.
 Insulation : Teflon per ASTM D1457 and ASTM D1710.
 Connector interface per MIL-STD-348A.
 Part to be clean and free of burrs.

Specification Table

Number	Description	Material	Finish
1	Shell	Brass	Nickel 100µ" Minimum
2	Insulation	Teflon	None
3	Gasket	Silicone	
4	Washer	Stainless Stell	
5	Centre Contact	Brass	Gold
6	Insulation	Teflon	None
7	Washer	Brass	Nickel 100m" Minimum
8	Body		

This data sheet and its contents (the "Information") belong to the Premier Farnell Group (the "Group") or are licensed to it. No licence is granted for the use of it other than for information purposes in connection with the products to which it relates. No licence of any intellectual property rights is granted. The Information is subject to change without notice and replaces all data sheets previously supplied. The Information supplied is believed to be accurate but the Group assumes no responsibility for its accuracy or completeness, any error in or omission from it or for any use made of it. Users of this data sheet should check for themselves the Information and the suitability of the products for their purpose and not make any assumptions based on information included or omitted. Liability for loss or damage resulting from any reliance on the Information or use of it (including liability resulting from negligence or where the Group was aware of the possibility of such loss or damage arising) is excluded. This will not operate to limit or restrict the Group's liability for death or personal injury resulting from its negligence. SPC MULTICOMP is the registered trademark of the Group. © Premier Farnell plc 2007.

TOLERANCES:
 UNLESS OTHERWISE SPECIFIED, DIMENSIONS ARE FOR REFERENCE PURPOSES ONLY.

DRAWN BY:	DATE:
Veena	16/04/08
CHECKED BY:	DATE:
Suresh	16/04/08
APPROVED BY:	DATE:
G.Cook	30/04/08

DRAWING TITLE:			
Adapter Kit - RF			
SIZE	DWG NO.	ELECTRONIC FILE	REV
A	M10000863	1169659_DWG	A
SCALE: NTS		U.O.M.: mm (Inches)	SHEET: 7 OF 17

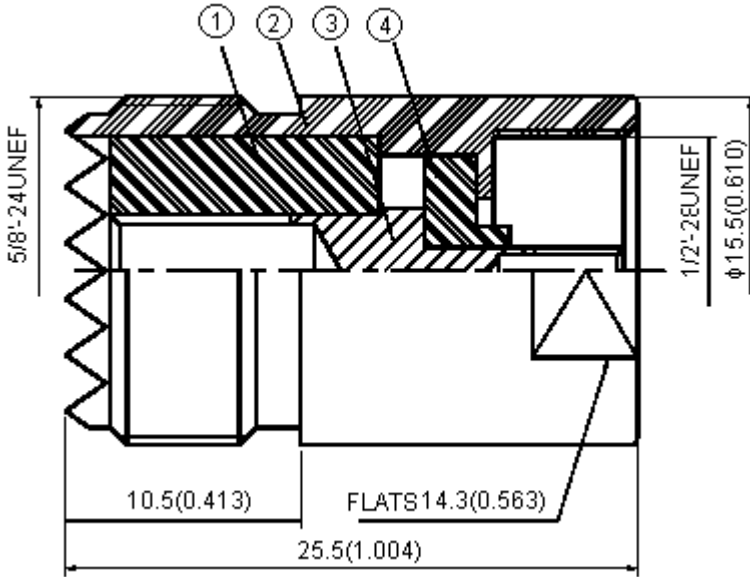


PART NO.

427-2717

REVISIONS

ECN #	REV	DESCRIPTION	DRAWN	DATE	CHECKD	DATE	APPRVD	DATE
-	A	RELEASED	Veena	16/4/08	Suresh	16/4/08	G. C	30/4/08



Dimensions : Millimetres (Inches)

Specifications:

Bodies : Brass per JIS - C3604.
 Centre Contact : Brass per JIS - C3604.
 Insulation : Teflon per ASTM D1457 and ASTM D1710.
 Part to be clean and free of burrs.

Specification Table

Number	Description	Material	Finish
1	Insulation	Teflon	None
2	Body	Brass	Nickel 100 μ " Minimum
3	Centre Contact		Gold
4	Insulation	Teflon	None

This data sheet and its contents (the "Information") belong to the Premier Farnell Group (the "Group") or are licensed to it. No licence is granted for the use of it other than for information purposes in connection with the products to which it relates. No licence of any intellectual property rights is granted. The Information is subject to change without notice and replaces all data sheets previously supplied. The Information supplied is believed to be accurate but the Group assumes no responsibility for its accuracy or completeness, any error in or omission from it or for any use made of it. Users of this data sheet should check for themselves the Information and the suitability of the products for their purpose and not make any assumptions based on information included or omitted. Liability for loss or damage resulting from any reliance on the Information or use of it (including liability resulting from negligence or where the Group was aware of the possibility of such loss or damage arising) is excluded. This will not operate to limit or restrict the Group's liability for death or personal injury resulting from its negligence. SPC MULTICOMP is the registered trademark of the Group. © Premier Farnell plc 2007.

TOLERANCES:
 UNLESS OTHERWISE SPECIFIED, DIMENSIONS ARE FOR REFERENCE PURPOSES ONLY.

DRAWN BY:	DATE:
Veena	16/04/08
CHECKED BY:	DATE:
Suresh	16/04/08
APPROVED BY:	DATE:
G.Cook	30/04/08

DRAWING TITLE:

Adapter Kit - RF

SIZE A	DWG NO. M10000863	ELECTRONIC FILE 1169659_DWG	REV A
SCALE: NTS		U.O.M.: mm (Inches)	SHEET: 8 OF 17



PART NO.

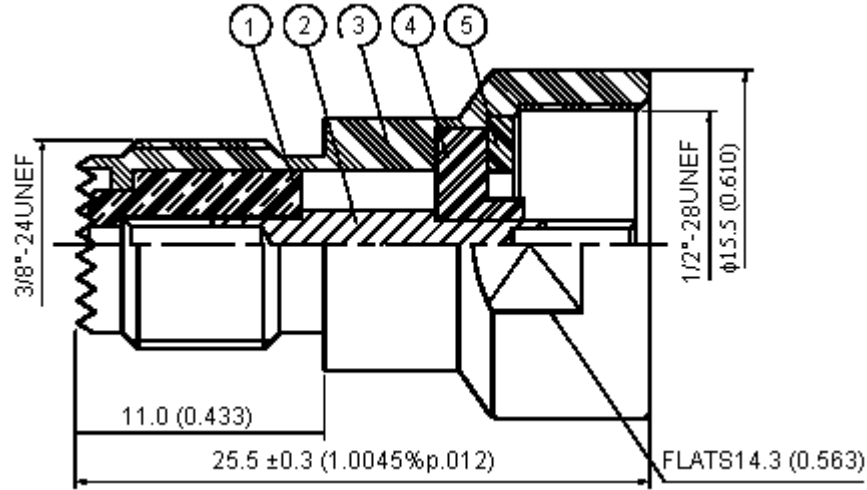
427-2717

REVISIONS

ECN #	REV	DESCRIPTION	DRAWN	DATE	CHECKD	DATE	APPRVD	DATE
-	A	RELEASED	Veena	16/4/08	Suresh	16/4/08	G. C	30/4/08

Specifications:

Bodies : Brass per JIS - C3604.
 Centre Contact : Brass per JIS - C3604.
 Insulation : Teflon per ASTM D1457 and ASTM D1710.
 Part to be clean and free of burrs.



Dimensions : Millimetres (Inches)

Specification Table

Number	Description	Material	Finish
1	Insulation	Teflon	None
2	Centre Contact	Brass	Gold
3	Body		Nickel 100µ" Minimum
4	Insulation	Teflon	None
5	Washer	Brass	Nickel 100µ" Minimum

This data sheet and its contents (the "Information") belong to the Premier Farnell Group (the "Group") or are licensed to it. No licence is granted for the use of it other than for information purposes in connection with the products to which it relates. No licence of any intellectual property rights is granted. The Information is subject to change without notice and replaces all data sheets previously supplied. The Information supplied is believed to be accurate but the Group assumes no responsibility for its accuracy or completeness, any error in or omission from it or for any use made of it. Users of this data sheet should check for themselves the Information and the suitability of the products for their purpose and not make any assumptions based on information included or omitted. Liability for loss or damage resulting from any reliance on the Information or use of it (including liability resulting from negligence or where the Group was aware of the possibility of such loss or damage arising) is excluded. This will not operate to limit or restrict the Group's liability for death or personal injury resulting from its negligence. SPC MULTICOMP is the registered trademark of the Group. © Premier Farnell plc 2007.

TOLERANCES:

UNLESS OTHERWISE SPECIFIED, DIMENSIONS ARE FOR REFERENCE PURPOSES ONLY.

DRAWN BY:	DATE:
Veena	16/04/08
CHECKED BY:	DATE:
Suresh	16/04/08
APPROVED BY:	DATE:
G.Cook	30/04/08

DRAWING TITLE:

Adapter Kit - RF

SIZE A	DWG NO. M10000863	ELECTRONIC FILE 1169659_DWG	REV A
SCALE: NTS		U.O.M.: mm (Inches)	SHEET: 9 OF 17

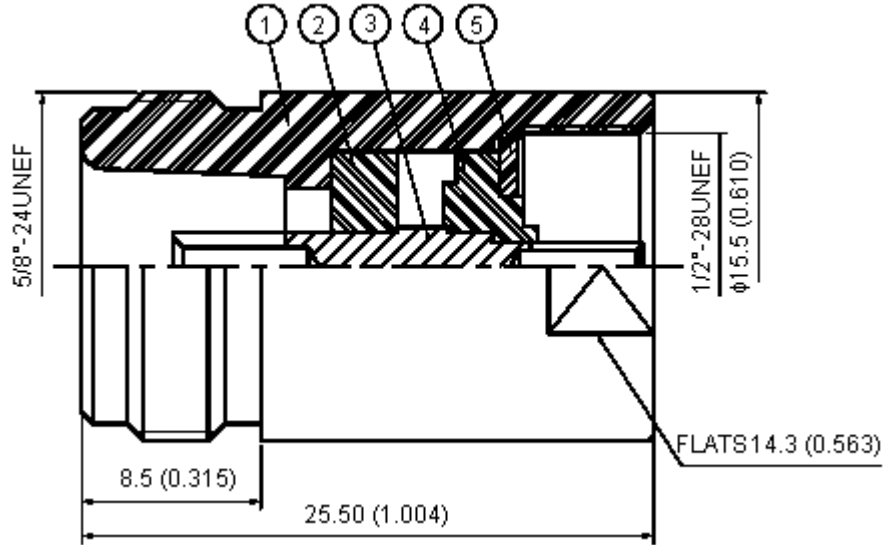


PART NO.

427-2717

REVISIONS

ECN #	REV	DESCRIPTION	DRAWN	DATE	CHECKD	DATE	APPRVD	DATE
-	A	RELEASED	Veena	16/4/08	Suresh	16/4/08	G. C	30/4/08



Dimensions : Millimetres (Inches)

Specifications:

Bodies : Brass per JIS - C3604.
 Centre Contact : Brass per JIS - C3604.
 Insulation : Teflon per ASTM D1457 and ASTM D1710.
 Connector interface per MIL-STD-348A.
 Part to be clean and free of burrs.

Specification Table

Number	Description	Material	Finish
1	Body	Brass	Nickel 100µ" Minimum
2	Insulation	Teflon	None
3	Centre Contact	Brass	Gold
4	Insulation	Teflon	None
5	Washer	Brass	Nickel 100µ" Minimum

This data sheet and its contents (the "Information") belong to the Premier Farnell Group (the "Group") or are licensed to it. No licence is granted for the use of it other than for information purposes in connection with the products to which it relates. No licence of any intellectual property rights is granted. The Information is subject to change without notice and replaces all data sheets previously supplied. The Information supplied is believed to be accurate but the Group assumes no responsibility for its accuracy or completeness, any error in or omission from it or for any use made of it. Users of this data sheet should check for themselves the Information and the suitability of the products for their purpose and not make any assumptions based on information included or omitted. Liability for loss or damage resulting from any reliance on the Information or use of it (including liability resulting from negligence or where the Group was aware of the possibility of such loss or damage arising) is excluded. This will not operate to limit or restrict the Group's liability for death or personal injury resulting from its negligence. SPC MULTICOMP is the registered trademark of the Group. © Premier Farnell plc 2007.

TOLERANCES:

UNLESS OTHERWISE SPECIFIED, DIMENSIONS ARE FOR REFERENCE PURPOSES ONLY.

DRAWN BY:	DATE:
Veena	16/04/08
CHECKED BY:	DATE:
Suresh	16/04/08
APPROVED BY:	DATE:
G.Cook	30/04/08

DRAWING TITLE:

Adapter Kit - RF

SIZE A	DWG NO. M10000863	ELECTRONIC FILE 1169659_DWG	REV A
SCALE: NTS		U.O.M.: mm (Inches)	SHEET: 10 OF 17



PART NO.

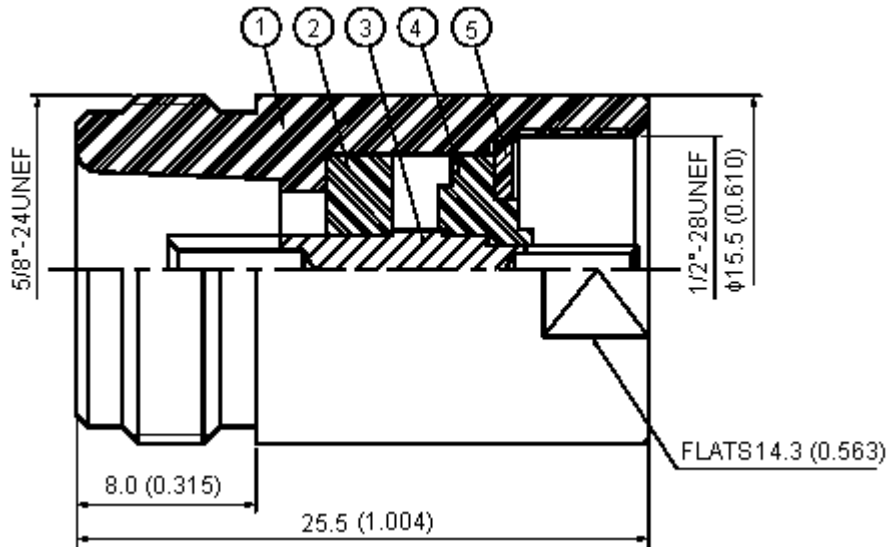
427-2717

REVISIONS

ECN #	REV	DESCRIPTION	DRAWN	DATE	CHECKD	DATE	APPRVD	DATE
-	A	RELEASED	Veena	16/4/08	Suresh	16/4/08	G. C	30/4/08

Specifications:

Bodies : Brass per JIS - C3604.
 Centre Contact : Brass per JIS - C3604.
 Insulation : Teflon per ASTM D1457 and ASTM D1710.
 Connector interface per MIL-STD-S48A.
 Part to be clean and free of burrs.



Dimensions : Millimetres (Inches)

Specification Table

Number	Description	Material	Finish
1	Insulation	Teflon	None
2	Centre Contact	Brass	Gold
3	Body		Nickel 100 μ " Minimum
4	Insulation	Teflon	Gold
5	Washer	Brass	Nickel 100 μ " Minimum

This data sheet and its contents (the "Information") belong to the Premier Farnell Group (the "Group") or are licensed to it. No licence is granted for the use of it other than for information purposes in connection with the products to which it relates. No licence of any intellectual property rights is granted. The Information is subject to change without notice and replaces all data sheets previously supplied. The Information supplied is believed to be accurate but the Group assumes no responsibility for its accuracy or completeness, any error in or omission from it or for any use made of it. Users of this data sheet should check for themselves the Information and the suitability of the products for their purpose and not make any assumptions based on information included or omitted. Liability for loss or damage resulting from any reliance on the Information or use of it (including liability resulting from negligence or where the Group was aware of the possibility of such loss or damage arising) is excluded. This will not operate to limit or restrict the Group's liability for death or personal injury resulting from its negligence. SPC MULTICOMP is the registered trademark of the Group. © Premier Farnell plc 2007.

TOLERANCES:
 UNLESS OTHERWISE SPECIFIED, DIMENSIONS ARE FOR REFERENCE PURPOSES ONLY.

DRAWN BY:	DATE:
Veena	16/04/08
CHECKED BY:	DATE:
Suresh	16/04/08
APPROVED BY:	DATE:
G.Cook	30/04/08

DRAWING TITLE:

Adapter Kit - RF

SIZE A	DWG NO. M10000863	ELECTRONIC FILE 1169659_DWG	REV A
SCALE: NTS		U.O.M.: mm (Inches)	SHEET: 11 OF 17

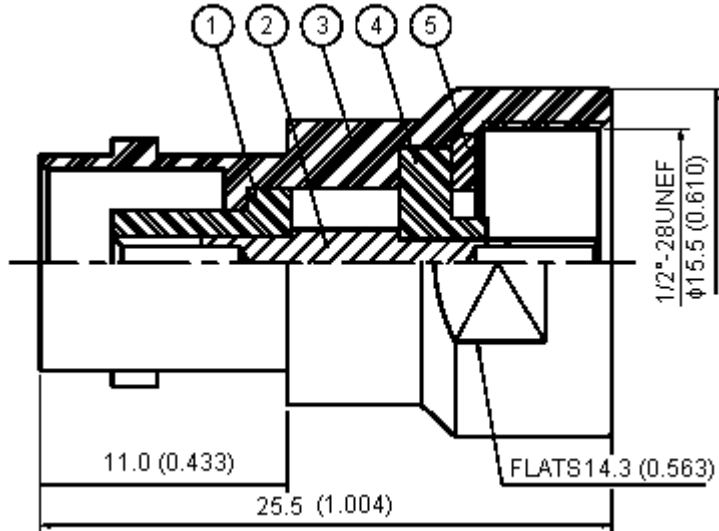


PART NO.

427-2717

REVISIONS

ECN #	REV	DESCRIPTION	DRAWN	DATE	CHECKD	DATE	APPRVD	DATE
-	A	RELEASED	Veena	16/4/08	Suresh	16/4/08	G. C	30/4/08



Dimensions : Millimetres (Inches)

Specifications:

Bodies : Brass per JIS - C3604.
 Centre Contact : Brass per JIS - C3604.
 Insulation : Teflon per ASTM D1457 and ASTM D1710.
 Connector interface per MIL-STD-348A.
 Part to be clean and free of burrs.

Specification Table

Number	Description	Material	Finish
1	Insulation	Teflon	None
2	Centre Contact	Brass	Gold
3	Body		Nickel 100µ" Minimum
4	Insulation	Teflon	None
5	Washer	Brass	Nickel 100µ" Minimum

This data sheet and its contents (the "Information") belong to the Premier Farnell Group (the "Group") or are licensed to it. No licence is granted for the use of it other than for information purposes in connection with the products to which it relates. No licence of any intellectual property rights is granted. The Information is subject to change without notice and replaces all data sheets previously supplied. The Information supplied is believed to be accurate but the Group assumes no responsibility for its accuracy or completeness, any error in or omission from it or for any use made of it. Users of this data sheet should check for themselves the Information and the suitability of the products for their purpose and not make any assumptions based on information included or omitted. Liability for loss or damage resulting from any reliance on the Information or use of it (including liability resulting from negligence or where the Group was aware of the possibility of such loss or damage arising) is excluded. This will not operate to limit or restrict the Group's liability for death or personal injury resulting from its negligence. SPC MULTICOMP is the registered trademark of the Group. © Premier Farnell plc 2007.

TOLERANCES:

UNLESS OTHERWISE SPECIFIED, DIMENSIONS ARE FOR REFERENCE PURPOSES ONLY.

DRAWN BY:	DATE:
Veena	16/04/08
CHECKED BY:	DATE:
Suresh	16/04/08
APPROVED BY:	DATE:
G.Cook	30/04/08

DRAWING TITLE:

Adapter Kit - RF

SIZE A	DWG NO. M10000863	ELECTRONIC FILE 1169659_DWG	REV A
SCALE: NTS		U.O.M.: mm (Inches)	SHEET: 12 OF 17

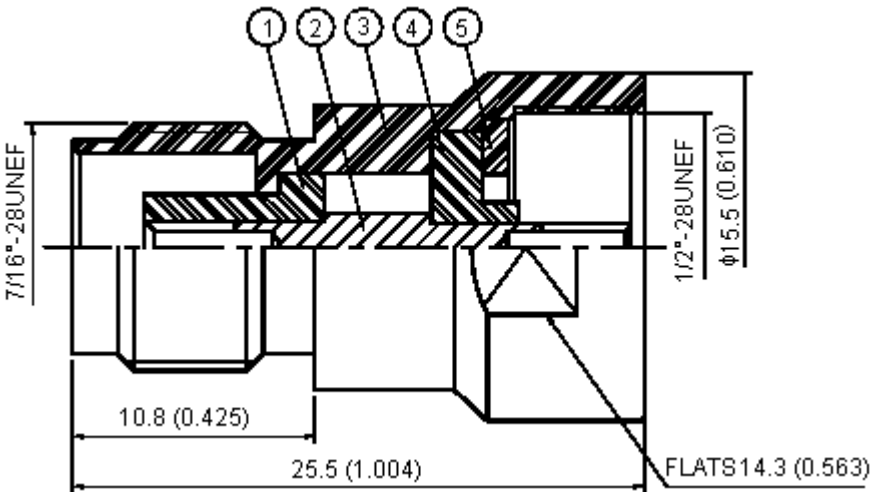


PART NO.

427-2717

REVISIONS

ECN #	REV	DESCRIPTION	DRAWN	DATE	CHECKD	DATE	APPRVD	DATE
-	A	RELEASED	Veena	16/4/08	Suresh	16/4/08	G. C	30/4/08



Dimensions : Millimetres (Inches)

Specifications:

Bodies : Brass per JIS - C3604.
 Centre Contact : Beryllium copper per JIS - C1730B.
 Insulation : Teflon per ASTM D1457 and ASTM D1710.
 Connector interface per MIL-STD-348A.
 Part to be clean and free of burrs.

Specification Table

Number	Description	Material	Finish
1	Insulation	Teflon	None
2	Body	Brass	Nickel 100µ" Minimum
3	Centre Contact	Beryllium Copper	Gold
4	Insulation	Teflon	None
5	Washer	Brass	Nickel 100µ" Minimum

This data sheet and its contents (the "Information") belong to the Premier Farnell Group (the "Group") or are licensed to it. No licence is granted for the use of it other than for information purposes in connection with the products to which it relates. No licence of any intellectual property rights is granted. The Information is subject to change without notice and replaces all data sheets previously supplied. The Information supplied is believed to be accurate but the Group assumes no responsibility for its accuracy or completeness, any error in or omission from it or for any use made of it. Users of this data sheet should check for themselves the Information and the suitability of the products for their purpose and not make any assumptions based on information included or omitted. Liability for loss or damage resulting from any reliance on the Information or use of it (including liability resulting from negligence or where the Group was aware of the possibility of such loss or damage arising) is excluded. This will not operate to limit or restrict the Group's liability for death or personal injury resulting from its negligence. SPC MULTICOMP is the registered trademark of the Group. © Premier Farnell plc 2007.

TOLERANCES:

UNLESS OTHERWISE SPECIFIED, DIMENSIONS ARE FOR REFERENCE PURPOSES ONLY.

DRAWN BY:	DATE:
Veena	16/04/08
CHECKED BY:	DATE:
Suresh	16/04/08
APPROVED BY:	DATE:
G.Cook	30/04/08

DRAWING TITLE:

Adapter Kit - RF

SIZE A	DWG NO. M10000863	ELECTRONIC FILE 1169659_DWG	REV A
SCALE: NTS	U.O.M.: mm (Inches)	SHEET: 13 OF 17	

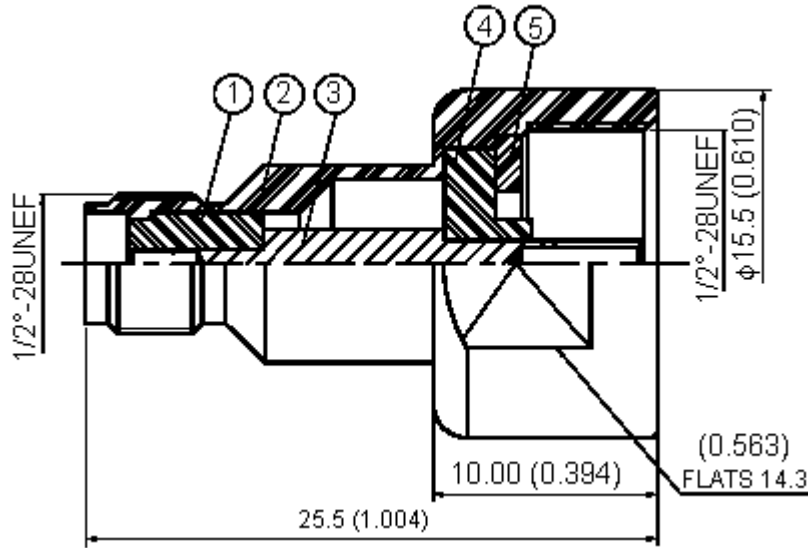


PART NO.

427-2717

REVISIONS

ECN #	REV	DESCRIPTION	DRAWN	DATE	CHECKD	DATE	APPRVD	DATE
-	A	RELEASED	Veena	16/4/08	Suresh	16/4/08	G. C	30/4/08



Dimensions : Millimetres (Inches)

Specifications:

- Bodies : Brass per JIS - C3604.
- Centre Contact : Brayllium copper per JIS - C1730B.
- Insulation : Teflon per ASTM D1457 and ASTM D1710.
- Connector interface per MIL-STD-348A.
- Part to be clean and free of burrs.

Specification Table

Number	Description	Material	Finish
1	Insulation	Teflon	None
2	Body	Brass	Nickel 100µ" Minimum
3	Centre Contact	Beryllium Copper	Gold
4	Insulation	Teflon	None
5	Washer	Brass	Nickel 100µ" Minimum

This data sheet and its contents (the "Information") belong to the Premier Farnell Group (the "Group") or are licensed to it. No licence is granted for the use of it other than for information purposes in connection with the products to which it relates. No licence of any intellectual property rights is granted. The Information is subject to change without notice and replaces all data sheets previously supplied. The Information supplied is believed to be accurate but the Group assumes no responsibility for its accuracy or completeness, any error in or omission from it or for any use made of it. Users of this data sheet should check for themselves the Information and the suitability of the products for their purpose and not make any assumptions based on information included or omitted. Liability for loss or damage resulting from any reliance on the Information or use of it (including liability resulting from negligence or where the Group was aware of the possibility of such loss or damage arising) is excluded. This will not operate to limit or restrict the Group's liability for death or personal injury resulting from its negligence. SPC MULTICOMP is the registered trademark of the Group. © Premier Farnell plc 2007.

TOLERANCES:
UNLESS OTHERWISE SPECIFIED, DIMENSIONS ARE FOR REFERENCE PURPOSES ONLY.

DRAWN BY:	DATE:
Veena	16/04/08
CHECKED BY:	DATE:
Suresh	16/04/08
APPROVED BY:	DATE:
G.Cook	30/04/08

DRAWING TITLE:

Adapter Kit - RF

SIZE A	DWG NO. M10000863	ELECTRONIC FILE 1169659_DWG	REV A
SCALE: NTS		U.O.M.: mm (Inches)	SHEET: 14 OF 17

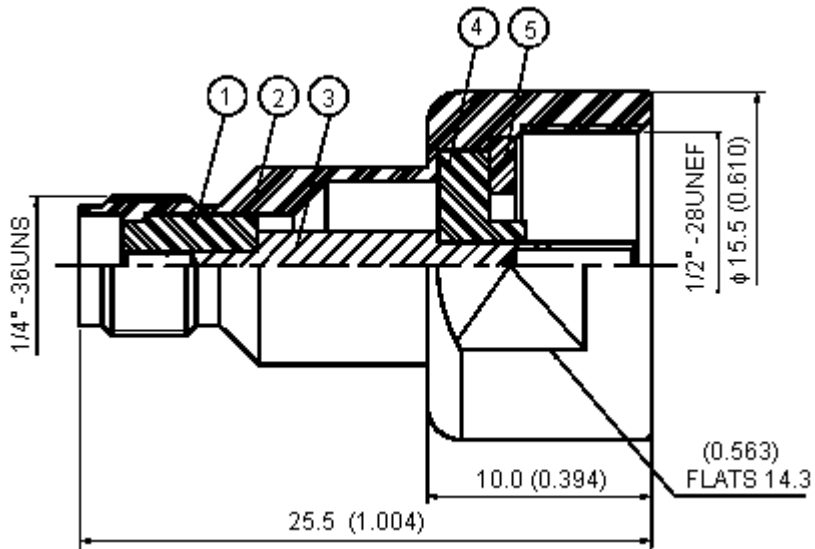


PART NO.

427-2717

REVISIONS

ECN #	REV	DESCRIPTION	DRAWN	DATE	CHECKD	DATE	APPRVD	DATE
-	A	RELEASED	Veena	16/4/08	Suresh	16/4/08	G. C	30/4/08



Dimensions : Millimetres (Inches)

Specifications:

- Bodies : Brass per JIS - C3604.
- Centre Contact : Beryllium copper per JIS - C1730B.
- Insulation : Teflon per ASTM D1457 and ASTM D1710.
- Connector interface per MIL-STD-348A.
- Part to be clean and free of burrs.

Specification Table

Number	Description	Material	Finish
1	Insulation	Teflon	None
2	Body	Brass	Nickel 100µ" Minimum
3	Centre Contact	Beryllium Copper	Gold
4	Insulation	Teflon	None
5	Washer	Brass	Nickel 100µ" Minimum

This data sheet and its contents (the "Information") belong to the Premier Farnell Group (the "Group") or are licensed to it. No licence is granted for the use of it other than for information purposes in connection with the products to which it relates. No licence of any intellectual property rights is granted. The Information is subject to change without notice and replaces all data sheets previously supplied. The Information supplied is believed to be accurate but the Group assumes no responsibility for its accuracy or completeness, any error in or omission from it or for any use made of it. Users of this data sheet should check for themselves the Information and the suitability of the products for their purpose and not make any assumptions based on information included or omitted. Liability for loss or damage resulting from any reliance on the Information or use of it (including liability resulting from negligence or where the Group was aware of the possibility of such loss or damage arising) is excluded. This will not operate to limit or restrict the Group's liability for death or personal injury resulting from its negligence. SPC MULTICOMP is the registered trademark of the Group. © Premier Farnell plc 2007.

TOLERANCES:

UNLESS OTHERWISE SPECIFIED, DIMENSIONS ARE FOR REFERENCE PURPOSES ONLY.

DRAWN BY:	DATE:
Veena	16/04/08
CHECKED BY:	DATE:
Suresh	16/04/08
APPROVED BY:	DATE:
G.Cook	30/04/08

DRAWING TITLE:

Adapter Kit - RF

SIZE	DWG NO.	ELECTRONIC FILE	REV
A	M10000863	1169659_DWG	A
SCALE: NTS	U.O.M.: mm (Inches)	SHEET: 15 OF 17	

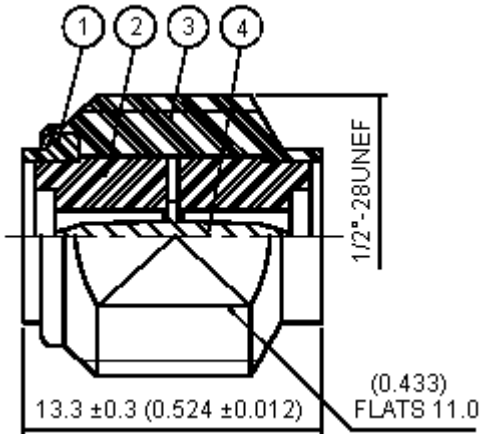


PART NO.

427-2717

REVISIONS

ECN #	REV	DESCRIPTION	DRAWN	DATE	CHECKD	DATE	APPRVD	DATE
-	A	RELEASED	Veena	16/4/08	Suresh	16/4/08	G. C	30/4/08



Dimensions : Millimetres (Inches)

Specifications:

Bodies : Brass per JIS - C3604.
 Centre Contact : Brass per JIS - C1730B.
 Insulation : Teflon per ASTM D1457 and ASTM D1710.
 Part to be clean and free of burrs.

Specification Table

Number	Description	Material	Finish
1	Sleeve	Brass	Nickel 100µ" Minimum
2	Insulation	Teflon	None
3	Body	Brass	Nickel 100µ" Minimum
4	Centre Contact		Gold

This data sheet and its contents (the "Information") belong to the Premier Farnell Group (the "Group") or are licensed to it. No licence is granted for the use of it other than for information purposes in connection with the products to which it relates. No licence of any intellectual property rights is granted. The Information is subject to change without notice and replaces all data sheets previously supplied. The Information supplied is believed to be accurate but the Group assumes no responsibility for its accuracy or completeness, any error in or omission from it or for any use made of it. Users of this data sheet should check for themselves the Information and the suitability of the products for their purpose and not make any assumptions based on information included or omitted. Liability for loss or damage resulting from any reliance on the Information or use of it (including liability resulting from negligence or where the Group was aware of the possibility of such loss or damage arising) is excluded. This will not operate to limit or restrict the Group's liability for death or personal injury resulting from its negligence. SPC MULTICOMP is the registered trademark of the Group. © Premier Farnell plc 2007.

TOLERANCES:

UNLESS OTHERWISE SPECIFIED, DIMENSIONS ARE FOR REFERENCE PURPOSES ONLY.

DRAWN BY:	DATE:
Veena	16/04/08
CHECKED BY:	DATE:
Suresh	16/04/08
APPROVED BY:	DATE:
G.Cook	30/04/08

DRAWING TITLE:

Adapter Kit - RF

SIZE A	DWG NO. M10000863	ELECTRONIC FILE 1169659_DWG	REV A
SCALE: NTS		U.O.M.: mm (Inches)	SHEET: 16 OF 17



PART NO.

427-2717

REVISIONS

ECN #	REV	DESCRIPTION	DRAWN	DATE	CHECKD	DATE	APPRVD	DATE
-	A	RELEASED	Veena	16/4/08	Suresh	16/4/08	G. C	30/4/08

Part Number Table:

Description	Part Number
RF Adapter Kit	427-2717

<http://www.farnell.com>

<http://www.newark.com>

<http://www.cpc.co.uk>

This data sheet and its contents (the "Information") belong to the Premier Farnell Group (the "Group") or are licensed to it. No licence is granted for the use of it other than for information purposes in connection with the products to which it relates. No licence of any intellectual property rights is granted. The Information is subject to change without notice and replaces all data sheets previously supplied. The Information supplied is believed to be accurate but the Group assumes no responsibility for its accuracy or completeness, any error in or omission from it or for any use made of it. Users of this data sheet should check for themselves the Information and the suitability of the products for their purpose and not make any assumptions based on information included or omitted. Liability for loss or damage resulting from any reliance on the Information or use of it (including liability resulting from negligence or where the Group was aware of the possibility of such loss or damage arising) is excluded. This will not operate to limit or restrict the Group's liability for death or personal injury resulting from its negligence. SPC MULTICOMP is the registered trademark of the Group. © Premier Farnell plc 2007.

TOLERANCES:

UNLESS OTHERWISE SPECIFIED, DIMENSIONS ARE FOR REFERENCE PURPOSES ONLY.

DRAWN BY:	DATE:
Veena	16/04/08
CHECKED BY:	DATE:
Suresh	16/04/08
APPROVED BY:	DATE:
G.Cook	30/04/08

DRAWING TITLE:

Adapter Kit - RF

SIZE A	DWG NO. M10000863	ELECTRONIC FILE 1169659_DWG	REV A
SCALE: NTS	U.O.M.: mm (Inches)	SHEET: 17 OF 17	



PART NO.

427-2717

REVISIONS

ECN #	REV	DESCRIPTION	DRAWN	DATE	CHECKD	DATE	APPRVD	DATE
-	A	RELEASED	Veena	16/4/08	Suresh	16/4/08	G. C	30/4/08

This data sheet and its contents (the "Information") belong to the Premier Farnell Group (the "Group") or are licensed to it. No licence is granted for the use of it other than for information purposes in connection with the products to which it relates. No licence of any intellectual property rights is granted. The Information is subject to change without notice and replaces all data sheets previously supplied. The Information supplied is believed to be accurate but the Group assumes no responsibility for its accuracy or completeness, any error in or omission from it or for any use made of it. Users of this data sheet should check for themselves the Information and the suitability of the products for their purpose and not make any assumptions based on information included or omitted. Liability for loss or damage resulting from any reliance on the Information or use of it (including liability resulting from negligence or where the Group was aware of the possibility of such loss or damage arising) is excluded. This will not operate to limit or restrict the Group's liability for death or personal injury resulting from its negligence. SPC MULTICOMP is the registered trademark of the Group. © Premier Farnell plc 2007.

TOLERANCES:

UNLESS OTHERWISE SPECIFIED, DIMENSIONS ARE FOR REFERENCE PURPOSES ONLY.

DRAWN BY:

Veena

CHECKED BY:

Suresh

APPROVED BY:

G.Cook

DATE:

16/04/08

DATE:

16/04/08

DATE:

30/04/08

DRAWING TITLE:

Adapter Kit - RF

SIZE
A

DWG NO.

M10000863

ELECTRONIC FILE

1169659_DWG

REV

A

SCALE: NTS

U.O.M.: mm (Inches)

SHEET: 18 OF 17