

ISSUE 8; 23 SEPTEMBER 1994

Outline

Output Compatibility

- HCMOS/LS TTL

Holder Style

- 14-pin DIL compatible resistance welded enclosure, hermetically sealed with glass to metal seals.

Standard Frequency Stabilities

- $\pm 25\text{ppm}$, $\pm 50\text{ppm}$, $\pm 100\text{ppm}$
(inclusive of supply voltage variations over the standard operating temperature range)

Standard Operating Temperature Range

- 0 to 70°C

Standard Storage Temperature Range

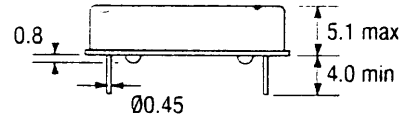
- -55 to 125°C

Marking

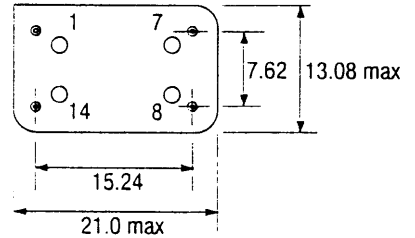
- Type number (letters IQ may not be included)
- Frequency
- Date code (Year/Week)
- Frequency stability (as part of type number)
- 1st Letter (overall stability)
A = $\pm 25\text{ppm}$, B = $\pm 50\text{ppm}$, C = $\pm 100\text{ppm}$
- 2nd Letter (initial frequency tolerance where applicable)
D = $\pm 5\text{ppm}$, E = $\pm 10\text{ppm}$, F = $\pm 25\text{ppm}$

Non-Standard Frequency Tolerance at 25°C

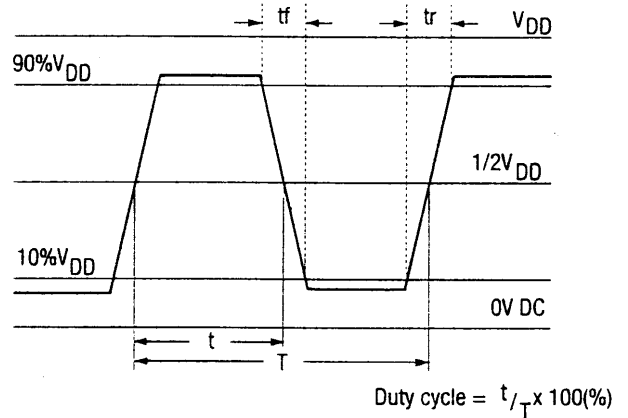
- $\pm 5\text{ppm}$, $\pm 10\text{ppm}$, $\pm 25\text{ppm}$
(250kHz to 70.0MHz only)



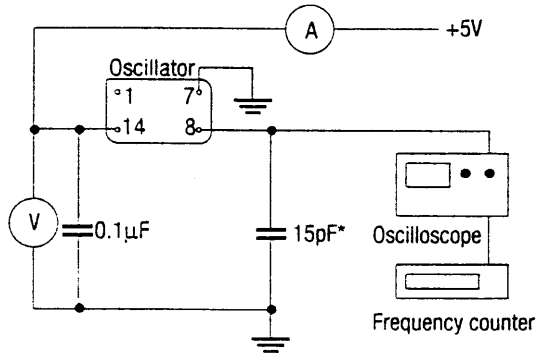
Pin connections
 1. N/C
 7. Ground
 8. Output
 14. +5V DC



Output Waveform - HCMOS



Test Circuit - HCMOS

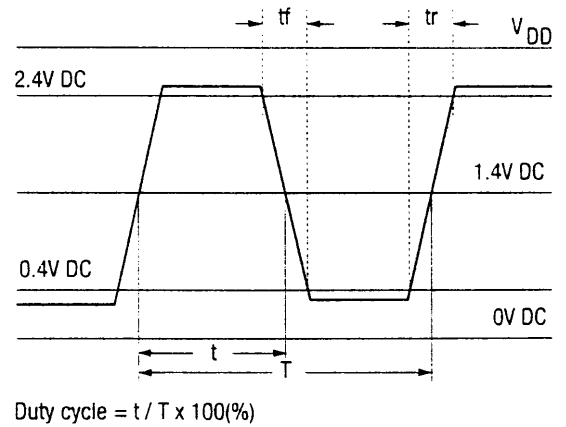


*Inclusive of jigging & equipment Capacitance

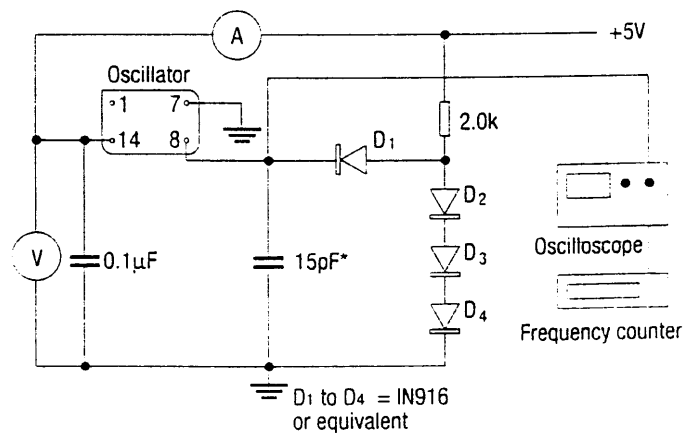
Electrical Specification – maximum limiting values when measured in test circuit

Frequency Range	Frequency Stability	Supply Voltage	Supply Current	Rise Time (t_r)	Fall Time (t_f)	Duty Cycle	Model Number
7.8 to 249.999kHz	$\pm 25, \pm 50$ & ± 100 ppm	$5V \pm 0.5V$	10mA	15ns	15ns	40/60%	IQX0-350
250.0 to 999.999kHz	$\pm 25, \pm 50$ & ± 100 ppm	$5V \pm 0.5V$	30mA	15ns	15ns	45/55%	IQX0-350
1.0 to 3.999MHz	$\pm 25, \pm 50$ & ± 100 ppm	$5V \pm 0.5V$	30mA	15ns	15ns	45/55%	IQX0-350
4.0 to 15.999MHz	$\pm 25, \pm 50$ & ± 100 ppm	$5V \pm 0.5V$	15mA	10ns	10ns	45/55%	IQX0-350
16.0 to 29.999MHz	$\pm 25, \pm 50$ & ± 100 ppm	$5V \pm 0.5V$	30mA	10ns	10ns	45/55%	IQX0-350
30.0 to 49.999MHz	$\pm 25, \pm 50$ & ± 100 ppm	$5V \pm 0.5V$	40mA	8ns	8ns	45/55%	IQX0-350
50.0 to 70.0MHz	$\pm 25, \pm 50$ & ± 100 ppm	$5V \pm 0.5V$	50mA	8ns	8ns	40/60%	IQX0-350

Output Waveform - LS TTL



Test Circuit - LS TTL



*Inclusive of jiggig & equipment Capacitance