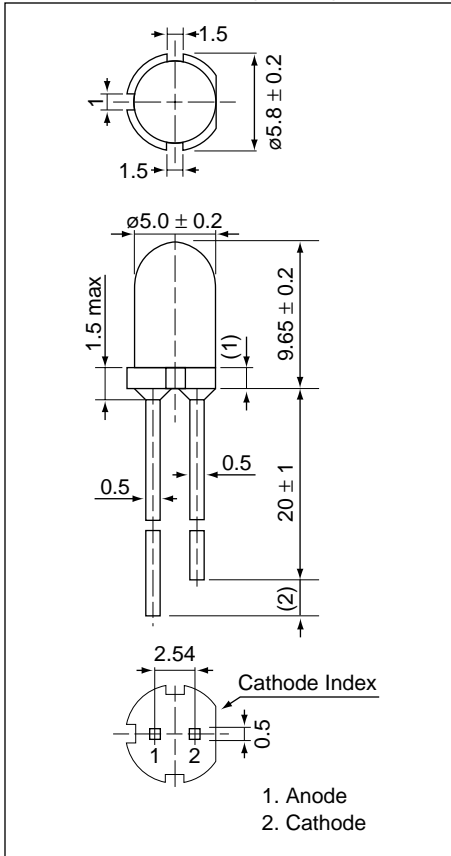




Weight: 0.31 g Unit: mm



AND183HGP

InGaAlP High Brightness Green Light Emission T-1 3/4 Package (5 mm)

Features

- Peak wavelength ($\lambda_p = 574$ nm) emission
- All plastic mold type, clear colorless lens
- Low drive current: 1 to 20 mA DC
- Excellent On-Off contrast ratio
- Solid state reliability, long life
- Fast response time, capable of pulse operation
- High power luminous intensity

Maximum Ratings (T = 25°C)

Characteristics	Symbol	Rating	Unit
Forward Current	I_F	50	mA
Reverse Voltage	V_R	4	V
Power Dissipation	P_D	140	mW
Operating Temperature Range	T_{Opr}	-40 to 85	°C
Storage Temperature Range	T_{Stg}	-40 to 120	°C

Electro-Optical Characteristics (T = 25°C)

Characteristics	Symbol	Test Condition	Minimum	Typical	Maximum	Unit
Forward Voltage	V_F	$I_F = 20$ mA	–	2.35	2.8	V
Reverse Current	I_R	$V_R = 4$ V	–	–	50	μ A
Luminous Intensity	I_V	$I_F = 20$ mA	850	2,500	–	mcd
Peak Emission Wavelength	λ_p	$I_F = 20$ mA	–	574	–	nm
Spectral Line Half Width	$\Delta\lambda$	$I_F = 20$ mA	–	11	–	nm
Dominant Wavelength	λ_d	$I_F = 20$ mA	–	571	–	nm
Full Viewing Angle	θ	$I_V = 1/2$ Peak	–	8	–	degree

Precaution

Please be careful of the following:

1. Soldering temperature: 260°C max
Soldering time: 3 sec. max
Soldering portion of lead: up to 2 mm from the body of the device
2. The lead can be formed up to 5 mm from the body of the device without forming stress.
Soldering should be performed after the lead forming.

