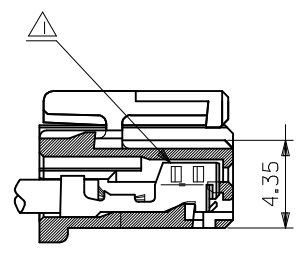
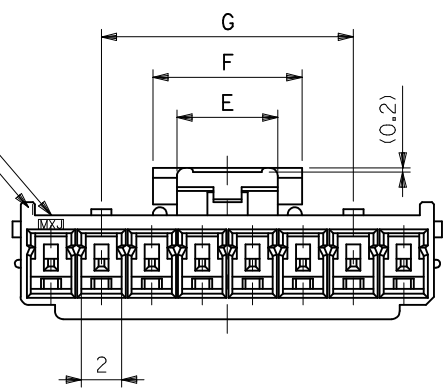
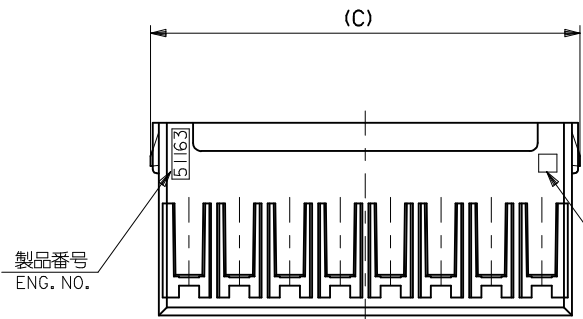


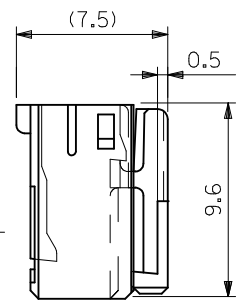
△
トレードマーク
TRADE MARK
回路番号 1
CIRCUIT NO.1



ターミナル装着状態図
TERMINAL ASSEMBLY DRAWING

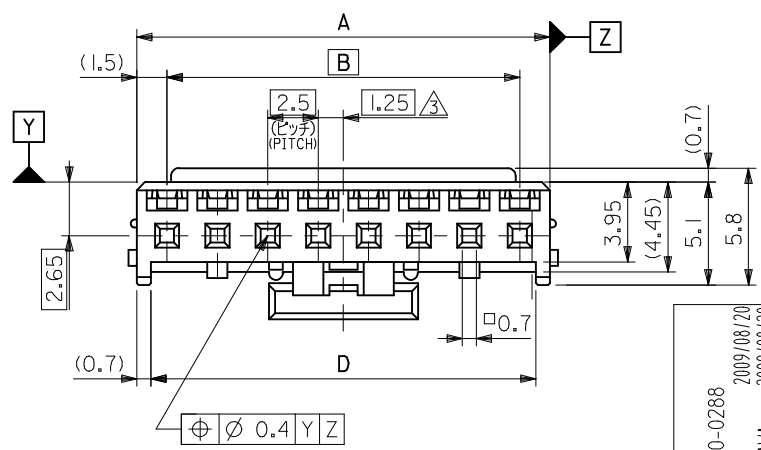


△
キャビティー番号
及び金型番号
CAVITY NO.
AND MODEL NO.



製品番号
ENG. NO.

12.5	7.4	5	36.6	38.8	35	38	51163-158*	15
↑	↑	↑	34.1	36.3	32.5	35.5	↑ -148*	14
			31.6	33.8	30	33	↑ -138*	13
			29.1	31.3	27.5	30.5	↑ -128*	12
			26.6	28.8	25	28	↑ -118*	11
			24.1	26.3	22.5	25.5	↑ -108*	10
↓			21.6	23.8	20	23	↑ -098*	9
12.5			19.1	21.3	17.5	20.5	↑ -088*	8
			16.6	18.8	15	18	↑ -078*	7
			14.1	16.3	12.5	15.5	↑ -068*	6
			11.6	13.8	10	13	↑ -058*	5
	7.4	5	9.1	11.3	7.5	10.5	↑ -048*	4
	5	3	6.6	8.8	5	8	↑ 51163-038*	3
G	F	E	D	(C)	B	A	MATERIAL AND ORDER No. △	CIRCUIT No.



REVISED
EC NO: J2010-0288
DRWN: YG010 2009/08/20
CHKD: KASAKAWA 2009/08/20
APPR: NUKITA 2009/08/24

DESCRIPTION
GENERAL TOLERANCES (UNLESS SPECIFIED)
10 UNDER ±0.2
10 OVER 30 UNDER ±0.25
30 OVER ±0.3
ANGULAR ±3 °
DRAFT WHERE APPLICABLE MUST REMAIN WITHIN DIMENSIONS

DIMENSION STYLE
MM ONLY
DRAWN BY K. HARADA DATE 1997/10/2
CHECKED BY T. ITO DATE 1997/11/12
APPROVED BY M. FUKUSHIMA DATE 1997/11/12
MATERIAL NO.
ENTER PART

SCALE 4:1
DESIGN UNITS METRIC
THIRD ANGLE PROJECTION
TITLE 2.5 W/B CONN HSG (POSITIVE LOCK)
MOLEX MOLEX INCORPORATED
DOCUMENT NO. SD-51163-**-00 SHEET NO. 1 OF 2
THIS DRAWING CONTAINS INFORMATION THAT IS PROPRIETARY TO MOLEX INCORPORATED AND SHOULD NOT BE USED WITHOUT WRITTEN PERMISSION

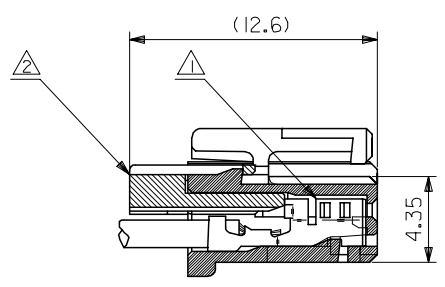
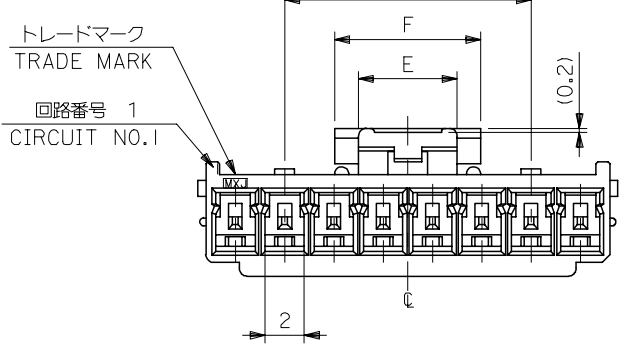
注記 NOTES

- △ 適合ターミナル：5035I-8*00
APPLICABLE TERMINAL : 5035I-8*00
- 2. 嵌合相手：53375,53426 シリーズ
MATE WITH : 53375,53426 SERIES
- △ 偶数極の製品に適用。
APPLY EVEN CIRCUIT PRODUCTS.
- △ トレードマーク：Mプラス 1 ~ 2 文字のアルファベットにて構成。(例 MXJ)
但し "J" は JAPAN を示す。
FORMED BY M AND 1 ~ 2 MORE LETTER OF ALPHABET (e.g. MXJ)
(TO TRADE MARK), BUT "J" SHOW JAPAN.
- △ キャビティー番号：1桁~2桁の数字
金型番号：アルファベット1文字にて構成。(例, 1A, 10B)
FORMED BY 1 DIGIT TO 2 DIGIT NUMBERS (TO CAVITY
NO.) AND BY 1 LETTER OF ALPHABET (TO MOLD NO.).
(e.g. 1A, 10B)
- △ MATERIAL AND ORDER No.
51163-**00
極数
CIRCUIT SIZE
- 7. 材料:PBT, UL 94V-0
- 8. 色:白 WHITE (NATURAL)



REVISED EC NO: DRWN:Y.GOTO CHKD:K.SAKAWA APPR: C	DESCRIPTION 2009/08/20	GENERAL TOLERANCES (UNLESS SPECIFIED)		DIMENSION STYLE MM ONLY	SCALE 4:1	DESIGN UNITS METRIC	THIRD ANGLE PROJECTION	
		10 UNDER	±0.2	DRAWN BY K. HARADA	DATE 1997/10/2	TITLE 2.5 W/B CONN HSG (POSITIVE LOCK)		
		10 OVER 30 UNDER	±0.25	CHECKED BY T. ITO	DATE 1997/11/12	MOLEX INCORPORATED		
		30 OVER	±0.3	APPROVED BY M. FUKUSHIMA	DATE 1997/11/12	MATERIAL NO.	DOCUMENT NO.	SHEET NO.
ANGULAR ±3 °		DRAFT WHERE APPLICABLE MUST REMAIN WITHIN DIMENSIONS		ENTER PART		SD-51163-**00		
				SIZE A3	THIS DRAWING CONTAINS INFORMATION THAT IS PROPRIETARY TO MOLEX INCORPORATED AND SHOULD NOT BE USED WITHOUT WRITTEN PERMISSION			

10 9 8 7 6 5 4 3 2 1

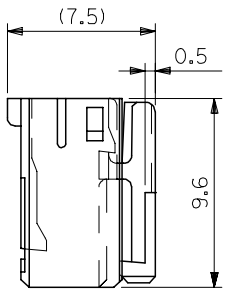
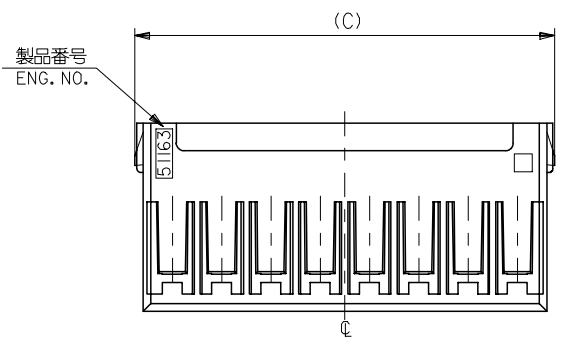


ターミナル及びリテーナー装着状態図
TERMINAL AND RETAINER ASSEMBLY DRAWING

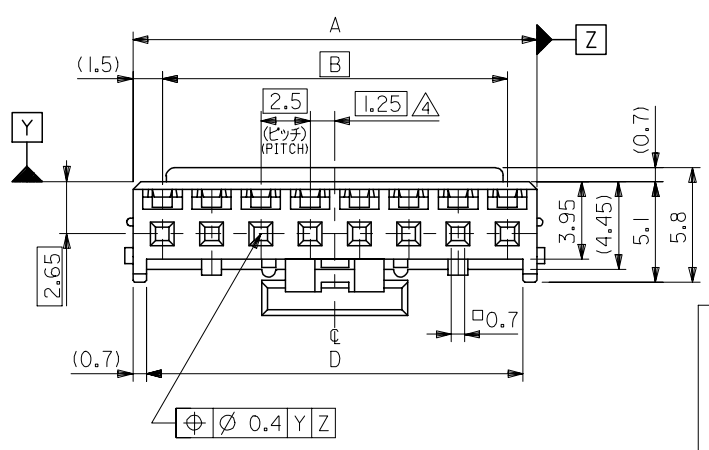
注記 NOTES

- △ 適合ターミナル：50752-8*00
APPLICABLE TERMINAL：50752-8*00
- △ 適合リテーナー：51164-**05
APPLICABLE RETAINER：51164-**05
- 3. 嵌合相手：53375,53376,53388,53389,53426 シリーズ
MATE WITH：53375,53376,53388,53389,53426 SERIES
- △ 偶数極の製品に適用。
APPLY EVEN CIRCUIT PRODUCTS.

3-15 極に適用
FOR 3-15 CKTS.



						青 BLUE	赤 RED	黒 BLACK	白 NATURAL	COLOR	
12.5	7.4	5	36.6	38.8	35	38	51163-1504	51163-1502	51163-1501	51163-1500	15
12.5			34.1	36.3	32.5	35.5	-1404	-1402	-1401	-1400	14
12.5			31.6	33.8	30	33	-1304	-1302	-1301	-1300	13
12.5			29.1	31.3	27.5	30.5	-1204	-1202	-1201	-1200	12
12.5			26.6	28.8	25	28	-1104	-1102	-1101	-1100	11
12.5			24.1	26.3	22.5	25.5	-1004	-1002	-1001	-1000	10
12.5			21.6	23.8	20	23	-0904	-0902	-0901	-0900	9
12.5			19.1	21.3	17.5	20.5	-0804	-0802	-0801	-0800	8
			16.6	18.8	15	18	-0704	-0702	-0701	-0700	7
			14.1	16.3	12.5	15.5	-0604	-0602	-0601	-0600	6
			11.6	13.8	10	13	-0504	-0502	-0501	-0500	5
			9.1	11.3	7.5	10.5	-0404	-0402	-0401	-0400	4
	5	3	6.6	8.8	5	8	51163-0304	51163-0302	51163-0301	51163-0300	3
G	F	E	D	(C)	B	A	MATERIAL NO.	MATERIAL NO.	MATERIAL NO.	MATERIAL NO.	NO. OF CKT

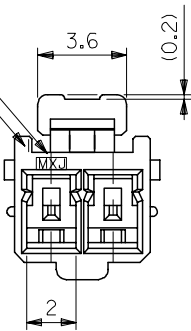


MATERIAL
PBTP, UL94V-0
SEE CHART

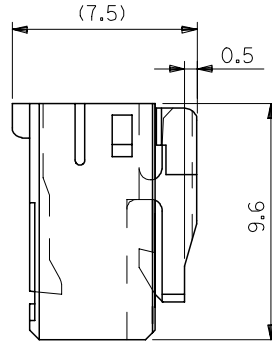
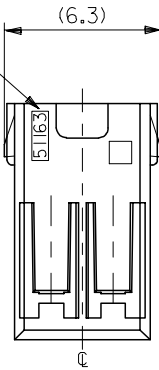
REVISED EC NO: J2005-1394 DRAWN: SASAMOR CHKD: K. TOJO APPR: NUKITA	GENERAL TOLERANCES (UNLESS SPECIFIED)		DIMENSION STYLE MM ONLY		SCALE 4:1	DESIGN UNITS METRIC	THIRD ANGLE PROJECTION		
	10 UNDER ±0.2	10 OVER 30 UNDER ±0.25	30 OVER ±0.3	DRAWN BY J. SASAMO	DATE 2004/8/31	TITLE 2.5 WIRE TO BOARD CONN. HOUSING (POSITIVE LOCK) WITH RETAINER			
	ANGULAR ±3 °			CHECKED BY K. TOJO	DATE 2004/8/31	MOLEX INCORPORATED			
	DRAFT WHERE APPLICABLE MUST REMAIN WITHIN DIMENSIONS			APPROVED BY N. UKITA	DATE 2004/8/31	MATERIAL NO. 51163-***0*	DOCUMENT NO. SD-51163-001	SHEET NO. 1 OF 2	
THIS DRAWING CONTAINS INFORMATION THAT IS PROPRIETARY TO MOLEX INCORPORATED AND SHOULD NOT BE USED WITHOUT WRITTEN PERMISSION									

10 9 8 7 6 5 4 3 2 1

トレードマーク
TRADE MARK
回路番号 1
CIRCUIT NO.1

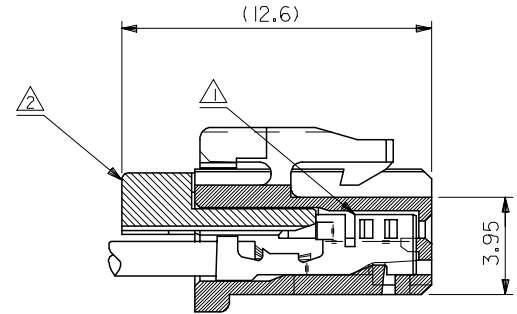


製品番号
ENG. NO.

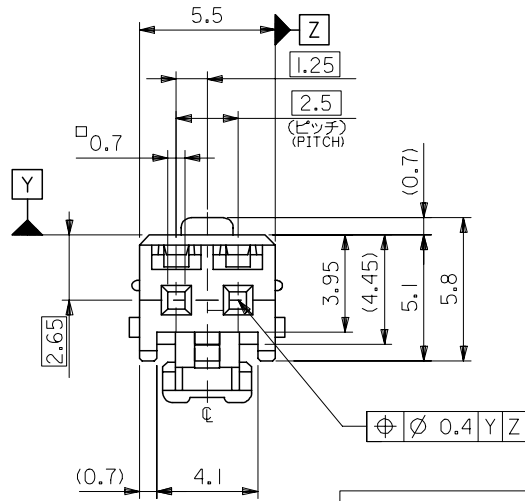


注記 NOTES

- △ 適合ターミナル : 50752-8*00
APPLICABLE TERMINAL : 50752-8*00
- △ 適合リテーナー : 51164-***05
APPLICABLE RETAINER : 51164-***05
- 3. 嵌合相手 : 53375,53426 シリーズ
MATE WITH : 53375,53426 SERIES



ターミナル及びリテーナー装着状態図
TERMINAL AND RETAINER ASSEMBLY DRAWING



2 極に適用
FOR 2 CKTS.

青	BLUE	51163-0204	2
赤	RED	51163-0202	
黒	BLACK	51163-0201	
白	NATURAL	51163-0200	
COLOR MATERIAL NO.		MATERIAL NO.	NO. OF CKT.

REVISED EC NO: J2005-1394 DRWN: SASAMOR 2004/11/09 CHKDK: TOJO 2004/11/10 APPR: NUKITA 2004/11/18 A	GENERAL TOLERANCES (UNLESS SPECIFIED)		DIMENSION STYLE MM ONLY		SCALE 5:1	DESIGN UNITS METRIC	THIRD ANGLE PROJECTION	
	10 UNDER	±0.2	DRAWN BY J. SASAMO 2004/8/31		TITLE 2.5 WIRE TO BORAD CONN. HOUSING (POSITIVE LOCK) WITH RETAINER			
	10 OVER 30 UNDER	±0.25	CHECKED BY K. TOJO 2004/8/31		MOLEX INCORPORATED			
	30 OVER	±0.3	APPROVED BY N. UKITA 2004/8/31		DOCUMENT NO. SD-51163-001		SHEET NO. 2 OF 2	
	ANGULAR	±3 °	MATERIAL NO. 51163-***0*		THIS DRAWING CONTAINS INFORMATION THAT IS PROPRIETARY TO MOLEX INCORPORATED AND SHOULD NOT BE USED WITHOUT WRITTEN PERMISSION			
DRAFT WHERE APPLICABLE MUST REMAIN WITHIN DIMENSIONS		SIZE A3						

MATERIAL
PBTP, UL94V-0
SEE CHART