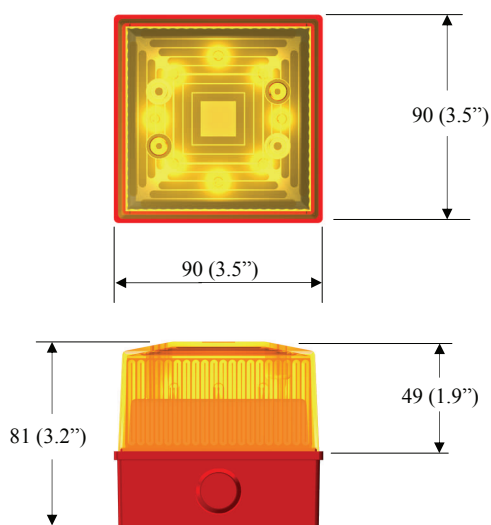


MAIN FEATURES

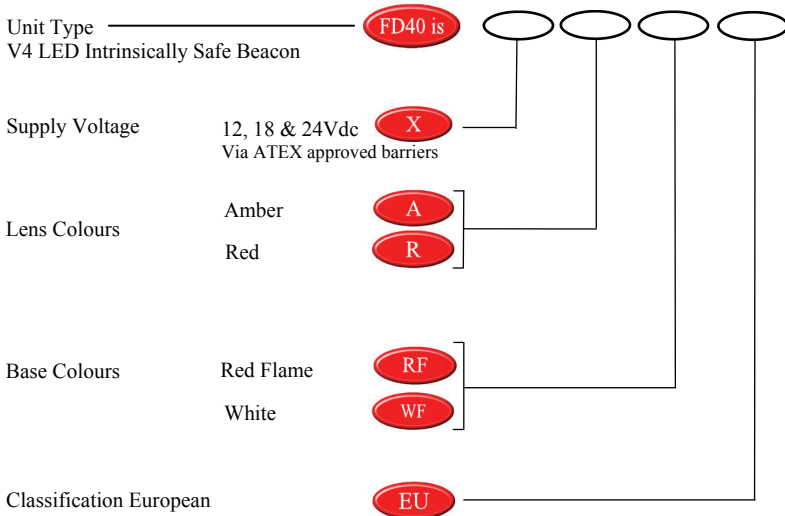
- BASEEFA (ATEX) approved
- 8 LED array
- Continuously rated
- High light intensity
- Long life LED design
- 360deg visibility
- Reliable and simple to install
- Flush mounting base available
- Red / White flame retardant ABS plastic enclosure
- Anti static enclosure and lens
- Lens colours, Red and Amber made from flame retardant polycarbonate.
- Additional Lens colours Clear, Opal, Blue, Yellow and Green are available upon request.

DIMENSIONS (mm)



All dimensions quoted are approximate only and subject to change without notice as are technical features resulting from continual development and improvement.

CONFIGURATOR



TECHNICAL SPECIFICATION

- For use in Zones 0,1 and 2
- Operating voltage 12Vdc, 18Vdc, 24Vdc via ATEX approved barriers
- Operating temp range -25 to + 40deg C
- Storage temp range -40 to + 70deg C
- Relative humidity 90% @ 40deg C
- IP65 rated
- Weight 0.15 Kg
- EEx ia IIC T4

MOUNTING

All units are supplied separate from the back box for ease of installation. The back box must be mounted with the two cable entries at the top or bottom. The back box should be mounted to a reasonably flat surface or to a standard wiring box using any of the internal mounting holes. A gasket is supplied, should the surface be uneven, or if the unit is to be used in wet conditions. The installation is completed by fitting the beacon onto the back box by means of the supplied screws.

LINE MONITORING

Monitoring via reverse polarity
 End of line resistor minimum 3K3 ohms 0.5 watts wire-wound or metal film type

ORDERING INFORMATION

Base Colours:
 RF = Red flame
 WF = White

APPROVAL SPECIFICATION

ATEX DIRECTIVE - 9/94/EC
 EN50014:1997 + Amendments 1 & 2
 EN50020:2002 and EN50284:1999
 Baseefa certificate No. BAS05ATEX0075

