

Low-Power RS-485 Transceivers, Available in a Small MSOP-8 Package

FEATURES

- Available in a Small MSOP-8 Package
- Meets or Exceeds the Requirements of the TIA/EIA-485A Standard
- Low Quiescent Power
 - 0.3 mA Active Mode
 - 1 nA Shutdown Mode
- 1/8 Unit Load—Up to 256 Nodes on a Bus
- Bus-Pin ESD Protection Up to 15 kV
- Industry-Standard SN75176 Footprint
- Failsafe Receiver (Bus Open, Bus Shorted, Bus Idle)
- Glitch-Free Power-Up/Down Bus Inputs and Outputs

APPLICATIONS

- Energy Meter Networks
- Motor Control
- Power Inverters
- Industrial Automation
- Building Automation Networks
- Battery-Powered Applications
- Telecommunications Equipment

DESCRIPTION

These devices are half-duplex transceivers designed for RS-485 data bus networks. Powered by a 5-V supply, they are fully compliant with TIA/EIA-485A standard. With controlled transition times, these devices are suitable for transmitting data over long twisted-pair cables. SN65HVD3082E and SN75HVD3082E devices are optimized for signaling rates up to 200 kbps. SN65HVD3085E is suitable for data transmission up to 1 Mbps, whereas SN65HVD3088E is suitable for applications requiring signaling rates up to 20 Mbps. These devices are designed to operate with very low supply current, typically 0.3 mA, exclusive of the load. When in the inactive shutdown mode, the supply current drops to a few nanoamps, making these devices ideal for power-sensitive applications.

The wide common-mode range and high ESD protection levels of these devices make them suitable for demanding applications such as energy meter networks, electrical inverters, status/command signals across telecom racks, cabled chassis interconnects, and industrial automation networks where noise tolerance is essential. These devices match the industry-standard footprint of SN75176. Power-on reset circuits keep the outputs in a high impedance state until the supply voltage has stabilized. A thermal shutdown function protects the device from damage due to system fault conditions. The SN75HVD3082E is characterized for operation from 0°C to 70°C and SN65HVD308xE are characterized for operation from -40°C to 85°C air temperature.

ORDERING INFORMATION:

| T _A | SIGNALING RATE (Mbps) | PACKAGE TYPE | | |
|----------------|-----------------------|--------------------------------------|-----------------------------------|----------------------------------|
| | | P | D ⁽¹⁾ | DGK ⁽²⁾ |
| 0°C to 70°C | 0.2 | SN75HVD3082EP Marked as 75HVD3082 | SN75HVD3082ED Marked as VN3082 | SN75HVD3082EDGK Marked as NWM |
| -40°C to 85°C | 0.2 | SN65HVD3082EP Marked as 65HVD3082 | SN65HVD3082ED Marked as VP3082 | SN65HVD3082EDGK Marked as NWN |
| | 1 | | SN65HVD3085ED Marked as VP3085 | SN65HVD3085EDGK Marked as NWK |
| | 20 | | SN65HVD3088ED Marked as VP3088 | SN65HVD3088EDGK Marked as NWH |

(1) The D package is available taped and reeled. Add an R suffix to the device type (i.e., SN65HVD3082EDR).

(2) The DGK package is available taped and reeled. Add an R suffix to the device type (i.e., SN65HVD3082EDGKR).



Please be aware that an important notice concerning availability, standard warranty, and use in critical applications of Texas Instruments semiconductor products and disclaimers thereto appears at the end of this data sheet.



These devices have limited built-in ESD protection. The leads should be shorted together or the device placed in conductive foam during storage or handling to prevent electrostatic damage to the MOS gates.

ABSOLUTE MAXIMUM RATINGS

over operating free-air temperature range unless otherwise noted⁽¹⁾ ⁽²⁾

| | UNIT |
|---|-----------------------------------|
| Supply voltage range, V_{CC} | –0.5 V to 7 V |
| Voltage range at A or B | –9 V to 14 V |
| Voltage range at any logic pin | –0.3 V to $V_{CC} + 0.3$ V |
| Receiver output current | –24 mA to 24 mA |
| Voltage input, transient pulse, A and B, through 100 Ω . See Figure 13 | –50 to 50 V |
| Junction Temperature, T_J | 170°C |
| Continuous total power dissipation | See the Package Dissipation Table |

- (1) Stresses beyond those listed under absolute maximum ratings may cause permanent damage to the device. These are stress ratings only, and functional operation of the device at these or any other conditions beyond those indicated under recommended operating conditions is not implied. Exposure to absolute-maximum-rated conditions for extended periods may affect device reliability.
- (2) All voltage values, except differential I/O bus voltages, are with respect to network ground terminal.

PACKAGE DISSIPATION RATINGS

| PACKAGE | JEDEC BOARD MODEL | $T_A < 25^\circ\text{C}$ POWER RATING | DERATING FACTOR ⁽¹⁾ ABOVE $T_A = 25^\circ\text{C}$ | $T_A = 70^\circ\text{C}$ POWER RATING | $T_A = 85^\circ\text{C}$ POWER RATING |
|---------|-------------------------|--|--|--|--|
| D | Low k ⁽²⁾ | 507 mW | 4.82 mW/°C | 289 mW | 217 mW |
| | High k ⁽³⁾ | 824 mW | 7.85 mW/°C | 471 mW | 353 mW |
| P | Low k ⁽²⁾ | 686 mW | 6.53 mW/°C | 392 mW | 294 mW |
| DGK | Low k ⁽²⁾ | 394 mW | 3.76 mW/°C | 255 mW | 169 mW |
| | High k ⁽³⁾ | 583 mW | 5.55 mW/°C | 333 mW | 250 mW |

- (1) This is the inverse of the junction-to-ambient thermal resistance when board-mounted and with no air flow.
- (2) In accordance with the low-k thermal metric definitions of EIA/JESD51-3
- (3) In accordance with the high-k thermal metric definitions of EIA/JESD51-7

RECOMMENDED OPERATING CONDITIONS⁽¹⁾

over operating free-air temperature range unless otherwise noted

| | | MIN | NOM | MAX | UNIT |
|---|--|-----|-----|----------|--------------------|
| Supply voltage, V_{CC} | | 4.5 | | 5.5 | V |
| Voltage at any bus terminal (separately or common mode) , V_I | | -7 | | 12 | |
| High-level input voltage (D, DE, or \overline{RE} inputs), V_{IH} | | 2 | | V_{CC} | V |
| Low-level input voltage (D, DE, or \overline{RE} inputs), V_{IL} | | 0 | | 0.8 | V |
| Differential input voltage, V_{ID} | | -12 | | 12 | V |
| Output current, I_O | Driver | -60 | | 60 | mA |
| | Receiver | -8 | | 8 | |
| Differential load resistance, R_L | | 54 | 60 | | Ω |
| Signaling rate, $1/t_{UI}$ | SN65HVD3082E, SN75HVD3082E | | | 0.2 | Mbps |
| | SN65HVD3085E | | | 1 | |
| | SN65HVD3088E | | | 20 | |
| Operating free-air temperature, T_A | SN65HVD3082E, SN65HVD3085E, SN65HVD3088E | -40 | | 85 | mA |
| | SN75HVD3082E | 0 | | 70 | |
| Junction temperature, T_J ⁽²⁾ | | -40 | | 130 | $^{\circ}\text{C}$ |

(1) The algebraic convention, in which the least positive (most negative) limit is designated as minimum is used in this data sheet.

(2) See thermal characteristics table for information on maintenance of this specification for the DGK package.

SUPPLY CURRENT

over operating free-air temperature range (unless otherwise noted)

| PARAMETER | | TEST CONDITIONS | MIN | TYP ⁽¹⁾ | MAX | UNIT |
|-----------|-----------------------------------|--|-----|--------------------|-----|---------------|
| I_{CC} | Driver and receiver enabled | D at V_{CC} or open, DE at V_{CC} , \overline{RE} at 0 V, No load | | 425 | 900 | μA |
| | Driver enabled, receiver disabled | D at V_{CC} or open, DE at V_{CC} , \overline{RE} at V_{CC} , No load | | 330 | 600 | μA |
| | Receiver enabled, driver disabled | D at V_{CC} or open, DE at 0 V, \overline{RE} at 0 V, No load | | 300 | 600 | μA |
| | Driver and receiver disabled | D at V_{CC} or open, DE at 0 V, \overline{RE} at V_{CC} | | 0.001 | 2 | μA |

(1) All typical values are at 25°C and with a 5-V supply.

ELECTROSTATIC DISCHARGE PROTECTION

| PARAMETER | TEST CONDITIONS | MIN | TYP ⁽¹⁾ | MAX | UNIT |
|--|-----------------------|-----|--------------------|-----|------|
| Human body model | Bus terminals and GND | | ± 15 | | kV |
| Human body model ⁽²⁾ | All pins | | ± 4 | | kV |
| Charged-device-model ⁽³⁾ | All pins | | ± 1 | | kV |
| Electrical Fast Transient/Burst ⁽⁴⁾ | A, B, and GND | | ± 4 | | kV |

(1) All typical values at 25°C.

(2) Tested in accordance with JEDEC Standard 22, Test Method A114-A and IEC 60749-26.

(3) Tested in accordance with JEDEC Standard 22, Test Method C101.

(4) Tested in accordance with IEC 61000-4-4.

DRIVER ELECTRICAL CHARACTERISTICS

over recommended operating conditions unless otherwise noted

| PARAMETER | | TEST CONDITIONS | MIN | TYP ⁽¹⁾ | MAX | UNIT |
|----------------------|--|--|------|--------------------|-----|------|
| V _{OD} | Differential output voltage | I _O = 0, No Load | 3 | 4.3 | | V |
| | | R _L = 54 Ω, See Figure 1 | 1.5 | 2.3 | | |
| | | R _L = 100 Ω | 2 | | | |
| | | V _{TEST} = -7 V to 12 V, See Figure 2 | 1.5 | | | |
| Δ V _{OD} | Change in magnitude of differential output voltage | See Figure 1 and Figure 2 | -0.2 | 0 | 0.2 | V |
| V _{OC(SS)} | Steady-state common-mode output voltage | See Figure 3 | 1 | 2.6 | 3 | V |
| ΔV _{OC(SS)} | Change in steady-state common-mode output voltage | | -0.1 | 0 | 0.1 | |
| V _{OC(PP)} | Peak-to-peak common-mode output voltage | See Figure 3 | | 500 | | mV |
| I _{OZ} | High-impedance output current | See receiver input currents | | | | |
| I _I | Input current | D, DE | -100 | | 100 | μA |
| I _{OS} | Short-circuit output current | -7 V ≤ V _O ≤ 12 V, See Figure 7 | -250 | | 250 | mA |

(1) All typical values are at 25°C and with a 5-V supply.

DRIVER SWITCHING CHARACTERISTICS

over recommended operating conditions unless otherwise noted

| PARAMETER | | TEST CONDITIONS | MIN | TYP | MAX | UNIT | |
|--|---|---|----------|------|------|------|----|
| t _{PLH} t _{PHL} | Propagation delay time, low-to-high-level output Propagation delay time, high-to-low-level output | R _L = 54 Ω, C _L = 50 pF, See Figure 4 | HVD3082E | 700 | 1300 | ns | |
| | | | HVD3085E | 150 | 500 | | |
| | | | HVD3088E | 12 | 20 | | |
| t _r t _f | Differential output signal rise time Differential output signal fall time | R _L = 54 Ω, C _L = 50 pF, See Figure 4 | HVD3082E | 500 | 900 | 1500 | ns |
| | | | HVD3085E | 200 | 300 | | |
| | | | HVD3088E | 7 | 15 | | |
| t _{sk(p)} | Pulse skew (t _{PHL} - t _{PLH}) | R _L = 54 Ω, C _L = 50 pF, See Figure 4 | HVD3082E | 20 | 200 | ns | |
| | | | HVD3085E | 5 | 50 | | |
| | | | HVD3088E | 1.4 | 2 | | |
| t _{PZH} t _{PZL} | Propagation delay time, high-impedance-to-high-level output Propagation delay time, high-impedance-to-low-level output | R _L = 110 Ω, \overline{RE} at 0 V, See Figure 5 and Figure 6 | HVD3082E | 2500 | 7000 | ns | |
| | | | HVD3085E | 1000 | 2500 | | |
| | | | HVD3088E | 13 | 30 | | |
| t _{PHZ} t _{PLZ} | Propagation delay time, high-level-to-high-impedance output Propagation delay time, low-level-to-high-impedance output | R _L = 110 Ω, \overline{RE} at 0 V, See Figure 5 and Figure 6 | HVD3082E | 80 | 200 | ns | |
| | | | HVD3085E | 60 | 100 | | |
| | | | HVD3088E | 12 | 30 | | |
| t _{PZH(SHDN)} t _{PZL(SHDN)} | Propagation delay time, shutdown-to-high-level output Propagation delay time, shutdown-to-low-level output | R _L = 110 Ω, \overline{RE} at V _{CC} , See Figure 5 | HVD3082E | 3500 | 7000 | ns | |
| | | | HVD3085E | 2500 | 4500 | | |
| | | | HVD3088E | 1600 | 2600 | | |

RECEIVER ELECTRICAL CHARACTERISTICS

over recommended operating conditions unless otherwise noted

| PARAMETER | | TEST CONDITIONS | MIN | TYP ⁽¹⁾ | MAX | UNIT |
|-------------------|---|---|-------|--------------------|-------|------|
| V _{IT+} | Positive-going differential input threshold voltage | I _O = –8 mA | | –85 | –10 | mV |
| V _{IT–} | Negative-going differential input threshold voltage | I _O = 8 mA | –200 | –115 | | mV |
| V _{hys} | Hysteresis voltage (V _{IT+} – V _{IT–}) | | | 30 | | mV |
| V _{OH} | High-level output voltage | V _{ID} = 200 mV, I _{OH} = –8 mA, See Figure 8 | 4 | 4.6 | | V |
| V _{OL} | Low-level output voltage | V _{ID} = –200 mV, I _O = 8 mA, See Figure 8 | | 0.15 | 0.4 | V |
| I _{OZ} | High-impedance-state output current | V _O = 0 or V _{CC} , $\overline{RE} = V_{CC}$ | –1 | | 1 | μA |
| I _I | Bus input current | V _{IH} = 12 V, V _{CC} = 5 V | | 0.04 | 0.1 | mA |
| | | V _{IH} = 12 V, V _{CC} = 0 V | | 0.06 | 0.125 | |
| | | V _{IH} = –7 V, V _{CC} = 5 V | –0.1 | –0.04 | | |
| | | V _{IH} = –7 V, V _{CC} = 0 V | –0.05 | –0.03 | | |
| I _{IH} | High-level input current, (\overline{RE}) | V _{IH} = 2 V | –60 | –30 | | μA |
| I _{IL} | Low-level Input current, (\overline{RE}) | V _{IL} = 0.8 V | –60 | –30 | | μA |
| C _{diff} | Differential input capacitance | V _I = 0.4 sin(4E6πt) + 0.5 V, DE at 0 V | | 7 | | pF |

(1) All typical values are at 25°C and with a 3.3-V supply.

RECEIVER SWITCHING CHARACTERISTICS

over recommended operating conditions unless otherwise noted

| PARAMETER | | TEST CONDITIONS | MIN | TYP | MAX | UNIT |
|------------------------|---|--|----------------------|------|------|------|
| t _{PLH} | Propagation delay time, low-to-high-level output | C _L = 15 pF, See Figure 9 | HVD3082E HVD3085E | 75 | 200 | ns |
| | | | HVD3086E | | 100 | |
| | | | HVD3082E HVD3085E | 79 | 200 | |
| t _{PHL} | Propagation delay time, high-to-low-level output | C _L = 15 pF, See Figure 9 | HVD3088E | | 100 | ns |
| | | | HVD3082E HVD3085E | 4 | 30 | |
| t _{sk(p)} | Pulse skew (t _{PHL} – t _{PLH}) | C _L = 15 pF, See Figure 9 | HVD3082E HVD3085E | 4 | 30 | ns |
| | | | HVD3088E | | 10 | |
| t _r | Output signal rise time | V _{ID} = –1.5 V to 1.5 V, C _L = 15 pF, See Figure 9 | | 1.5 | 3 | ns |
| t _f | Output signal fall time | V _{ID} = –1.5 V to 1.5 V, C _L = 15 pF, See Figure 9 | | 1.8 | 3 | ns |
| t _{PZH} | Output enable time to high level | C _L = 15 pF, DE at 3 V See Figure 10 and Figure 11 | HVD3082E HVD3085E | 5 | 50 | ns |
| | | | HVD3088E | | 30 | |
| t _{PZL} | Output enable time to low level | C _L = 15 pF, DE at 3 V See Figure 10 and Figure 11 | HVD3082E HVD3085E | 10 | 50 | ns |
| | | | HVD3088E | | 30 | |
| t _{PHZ} | Output enable time from high level | C _L = 15 pF, DE at 3 V See Figure 10 and Figure 11 | HVD3082E HVD3085E | 5 | 50 | ns |
| | | | HVD3088E | | 30 | |
| t _{PLZ} | Output disable time from low level | C _L = 15 pF, DE at 3 V See Figure 10 and Figure 11 | HVD3082E HVD3085E | 8 | 50 | ns |
| | | | HVD3088E | | 30 | |
| t _{PZH(SHDN)} | Propagation delay time, shutdown-to-high-level output | C _L = 15 pF, DE at 0 V, See Figure 12 | | 1600 | 3500 | ns |
| t _{PZL(SHDN)} | Propagation delay time, shutdown-to-low-level output | C _L = 15 pF, DE at 0 V, See Figure 12 | | 1700 | 3500 | ns |

PARAMETER MEASUREMENT INFORMATION

NOTE: Test load capacitance includes probe and jig capacitance (unless otherwise specified). Signal generator characteristics: rise and fall time < 6 ns, pulse rate 100 kHz, 50% duty cycle. $Z_0 = 50 \Omega$ (unless otherwise specified).

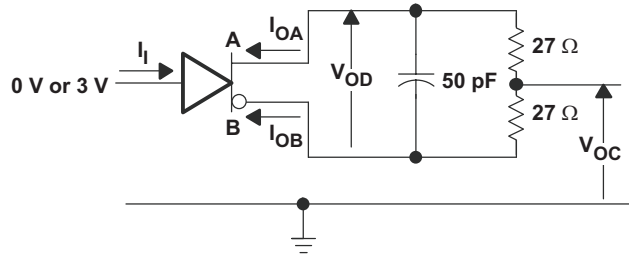


Figure 1. Driver Test Circuit, V_{OD} and V_{OC} Without Common-Mode Loading

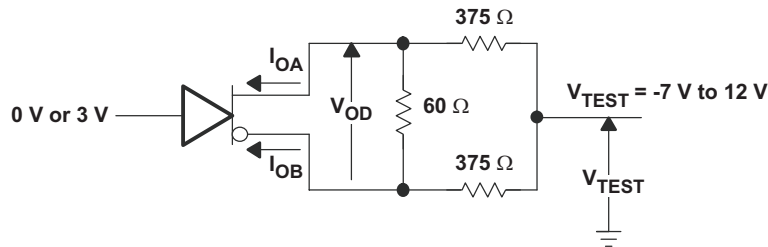


Figure 2. Driver Test Circuit, V_{OD} With Common-Mode Loading

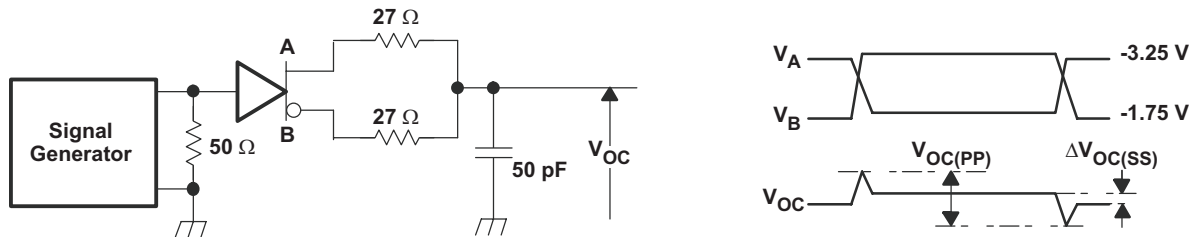


Figure 3. Driver V_{OC} Test Circuit and Waveforms

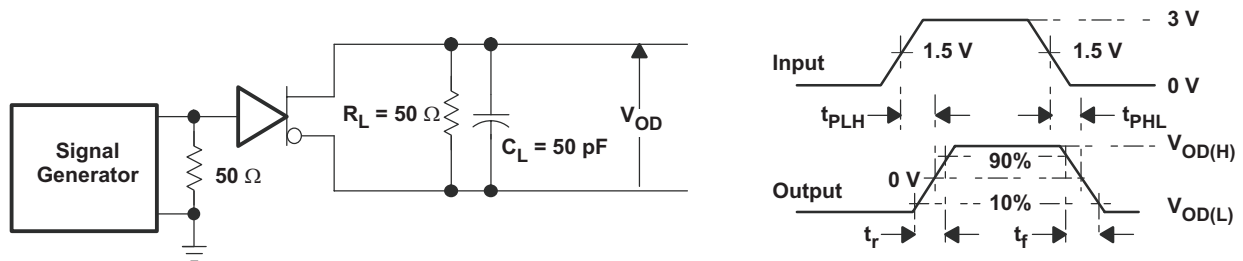


Figure 4. Driver Switching Test Circuit and Waveforms

PARAMETER MEASUREMENT INFORMATION (continued)

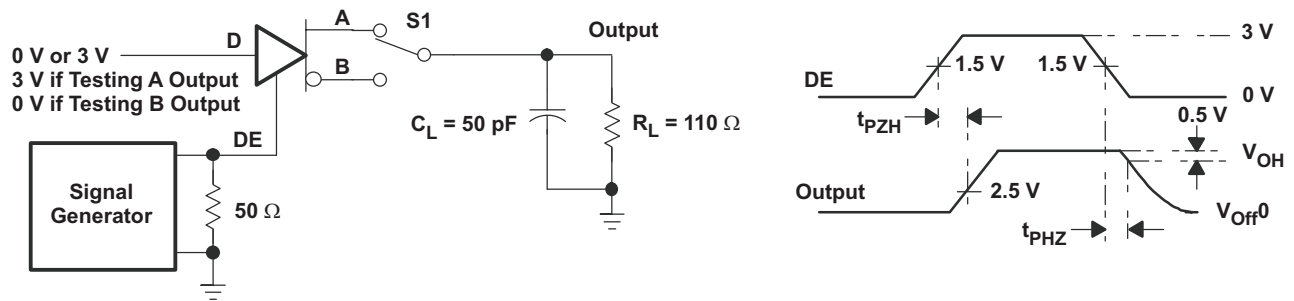


Figure 5. Driver Enable/Disable Test Circuit and Waveforms, High Output

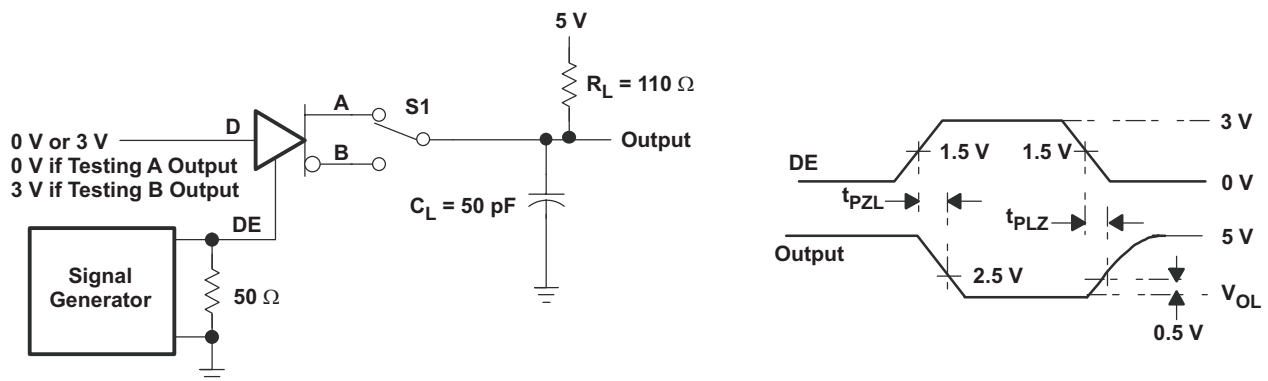


Figure 6. Driver Enable/Disable Test Circuit and Waveforms, Low Output

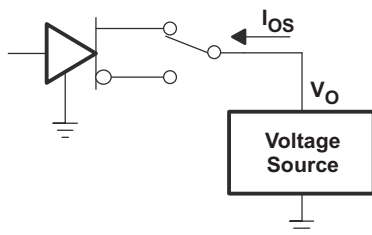


Figure 7. Driver Short-Circuit

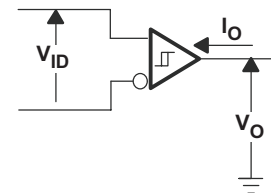


Figure 8. Receiver Switching Test Circuit and Waveforms

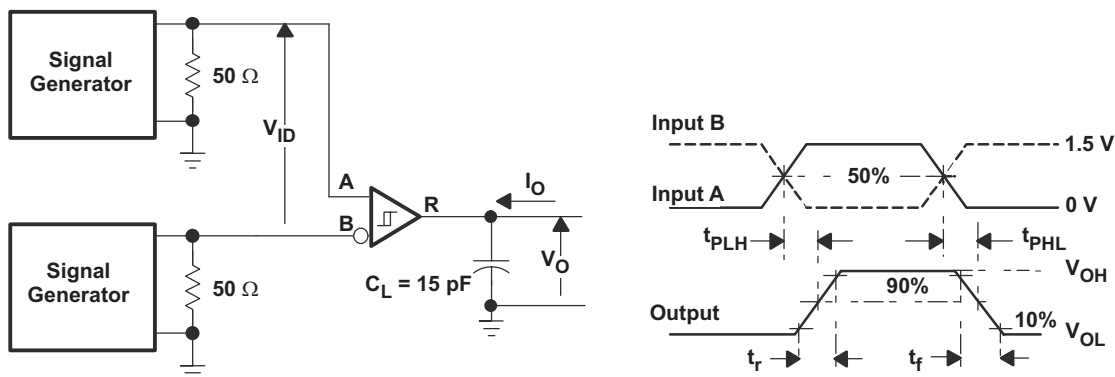


Figure 9. Receiver Switching Test Circuit and Waveforms

PARAMETER MEASUREMENT INFORMATION (continued)

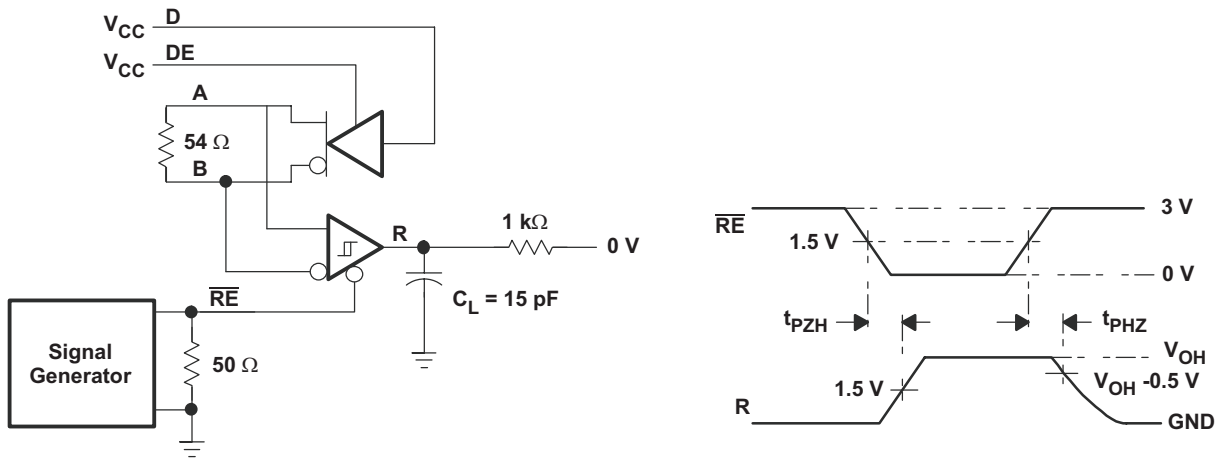


Figure 10. Receiver Enable/Disable Test Circuit and Waveforms, Data Output High

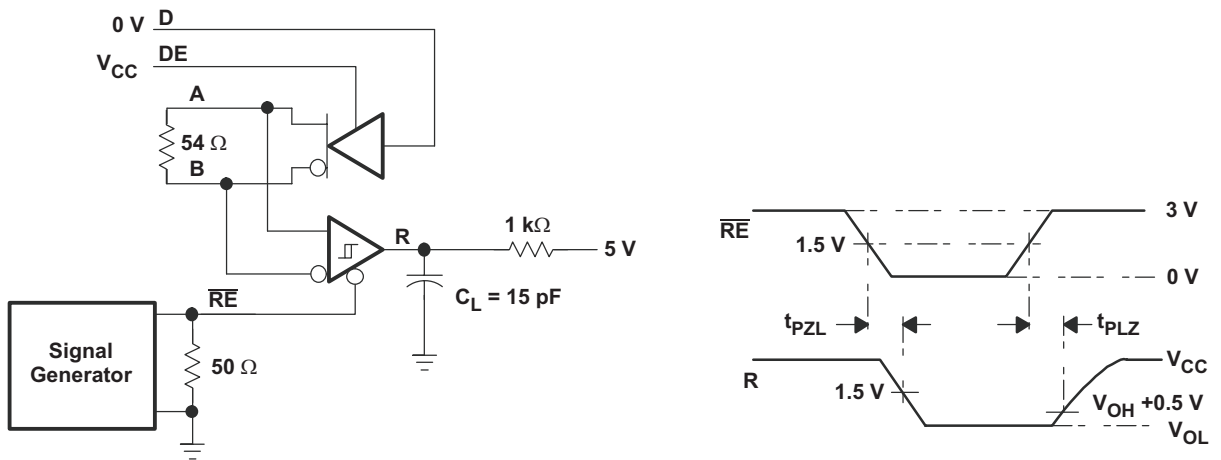


Figure 11. Receiver Enable/Disable Test Circuit and Waveforms, Data Output Low

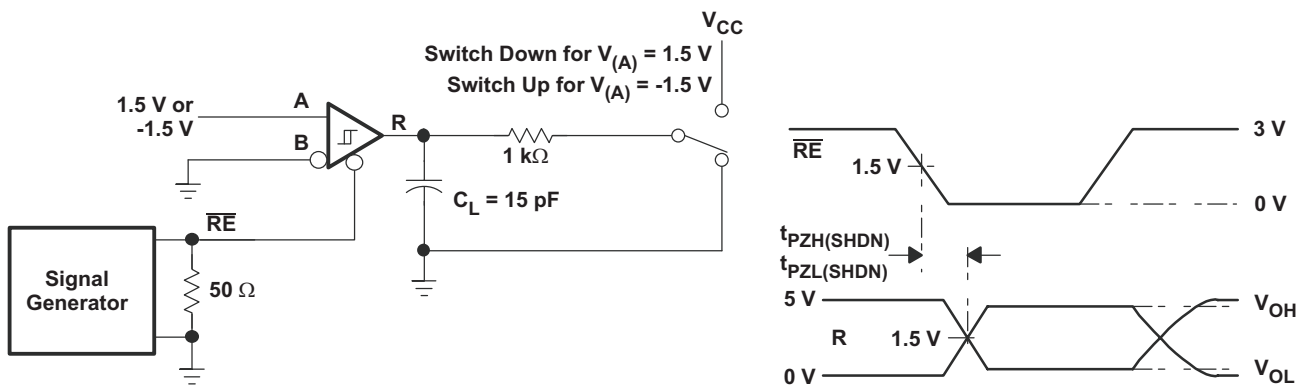


Figure 12. Receiver Enable From Shutdown Test Circuit and Waveforms

PARAMETER MEASUREMENT INFORMATION (continued)

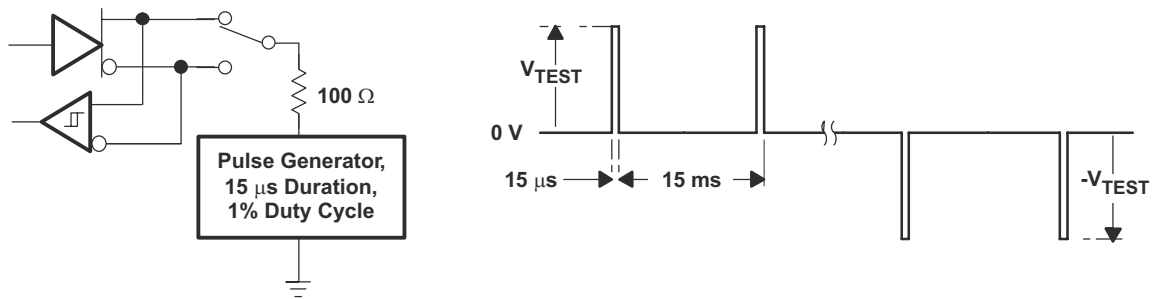
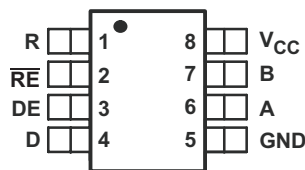


Figure 13. Test Circuit and Waveforms, Transient Overvoltage Test

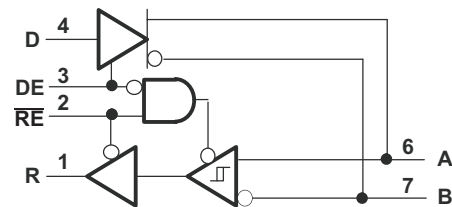
DEVICE INFORMATION

PIN ASSIGNMENT

D, P OR DGK PACKAGE
(TOP VIEW)



LOGIC DIAGRAM (POSITIVE LOGIC)



FUNCTION TABLE

| DRIVER | | | | RECEIVER | | |
|---------|----------|---------|---|---|-----------|----------|
| INPUT D | INPUT DE | OUTPUTS | | DIFFERENTIAL INPUTS $V_{ID} = V_A - V_B$ | ENABLE RE | OUTPUT R |
| | | A | B | | | |
| H | H | H | L | $V_{ID} \leq -0.2 \text{ V}$ | L | L |
| L | H | L | H | $-0.2 \text{ V} < V_{ID} < -0.01 \text{ V}$ | L | ? |
| X | L | Z | Z | $-0.01 \text{ V} \leq V_{ID}$ | L | H |
| Open | H | H | L | X | H | Z |
| X | Open | Z | Z | Open circuit | L | H |
| | | | | Short circuit | L | H |
| | | | | IDLE Bus | L | H |
| | | | | X | Open | Z |

Receiver Failsafe

The differential receiver is “failsafe” to invalid bus states caused by:

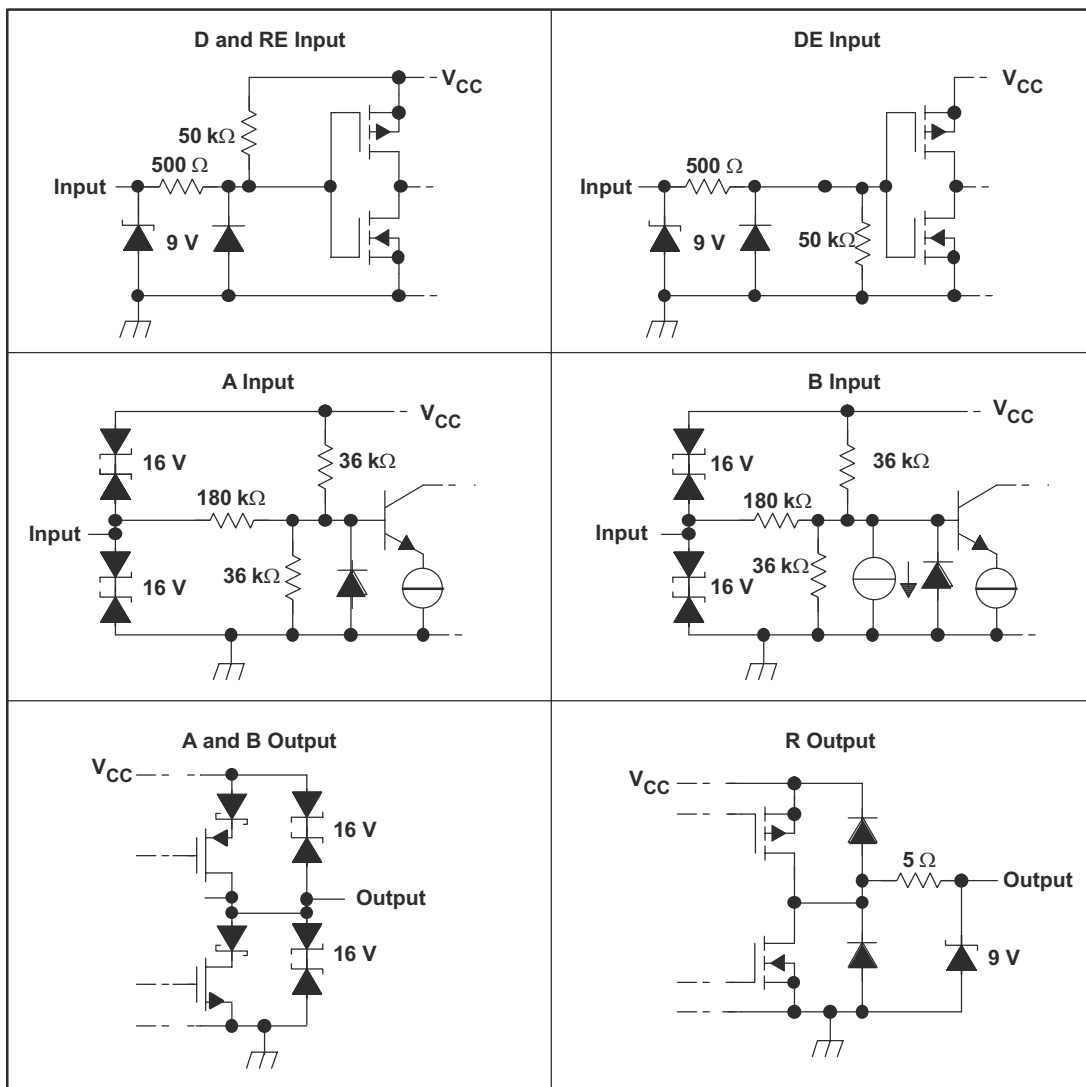
- open bus conditions such as a disconnected connector,
- shorted bus conditions such as cable damage shorting the twisted-pair together, or
- idle bus conditions that occur when no driver on the bus is actively driving

In any of these cases, the differential receiver outputs a failsafe logic High state, so that the output of the receiver is not indeterminate.

Receiver failsafe is accomplished by offsetting the receiver thresholds so that the “input indeterminate” range does not include zero volts differential. To comply with the RS-422 and RS-485 standards, the receiver output must output a High when the differential input V_{ID} is more positive than +200 mV, and must output a Low when the V_{ID} is more negative than -200 mV. The receiver parameters which determine the failsafe performance are V_{IT+} and V_{IT-} and V_{HYS} . As seen in the [RECEIVER ELECTRICAL CHARACTERISTICS](#) table, differential signals more negative than -200 mV will always cause a Low receiver output. Similarly, differential signals more positive than +200 mV will always cause a High receiver output.

When the differential input signal is close to zero, it will still be above the V_{IT+} threshold, and the receiver output is High. Only when the differential input is more negative than V_{IT-} will the receiver output transition to a Low state. So, the noise immunity of the receiver inputs during a bus fault condition includes the receiver hysteresis value V_{HYS} (the separation between V_{IT+} and V_{IT-}) as well as the value of V_{IT+} .

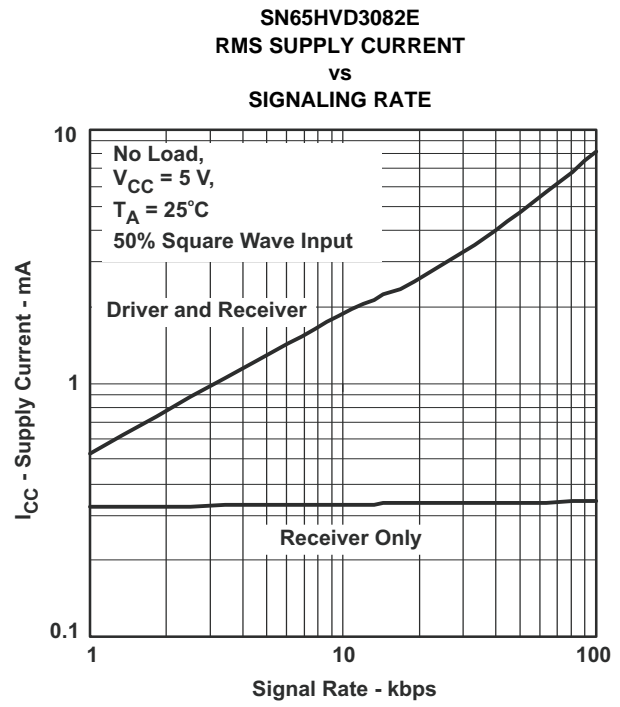
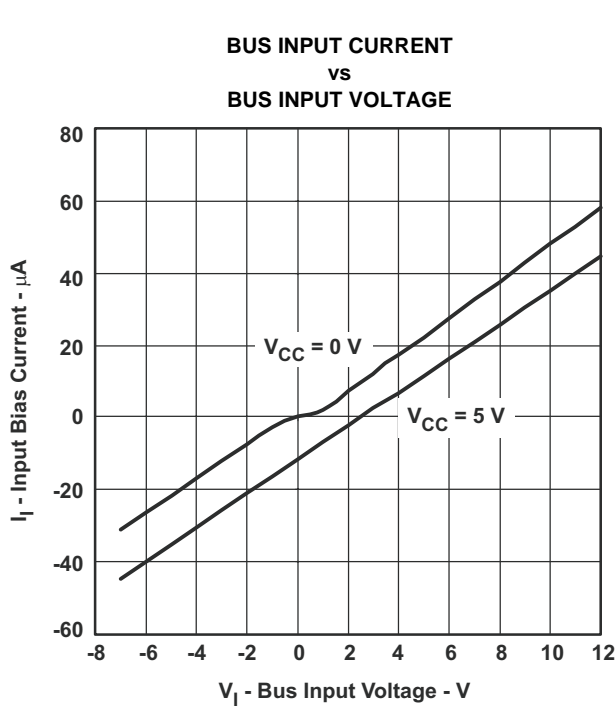
EQUIVALENT INPUT AND OUTPUT SCHEMATIC DIAGRAMS



PACKAGE THERMAL INFORMATION

| PARAMETER | TEST CONDITIONS | PACKAGE | MIN | TYP | MAX | UNIT |
|---------------|--|---|--------------|-----|-----|------|
| θ_{JA} | Junction-to-ambient thermal resistance | Low-k board, no air flow | MOSP (DGK) | | 266 | °C/W |
| | | | SOIC (D) | | 210 | |
| | | | PDIP (P) | | 155 | |
| | | High-k board, no air flow | MOSP (DGK) | | 180 | °C/W |
| | | | SOIC (D) | | 130 | |
| | | | PDIP (P) | | 70 | |
| θ_{JB} | Junction-to-board thermal resistance | Low-k board, no air flow | MOSP (DGK) | | 110 | °C/W |
| | | | SOIC (D) | | 55 | |
| | | | PDIP (P) | | 40 | |
| θ_{JC} | Junction-to-case thermal resistance | | MOSP (DGK) | | 66 | °C/W |
| | | | SOIC (D) | | 80 | |
| | | | PDIP (P) | | 80 | |
| $P_{(AVG)}$ | Average power dissipation | Input to D is a 50% duty cycle square wave at max rec'd signal rate $R_L = 54 \Omega$ $V_{CC} = 5.5 V$, $T_J = 130^\circ C$ | ALL HVD3082E | | 203 | mW |
| | | | ALL HVD3085E | | 205 | |
| | | | ALL HVD3088E | | 276 | |
| T_{SD} | Thermal shut-down junction temperature | | ALL | | 165 | °C |

TYPICAL CHARACTERISTICS



TYPICAL CHARACTERISTICS (continued)

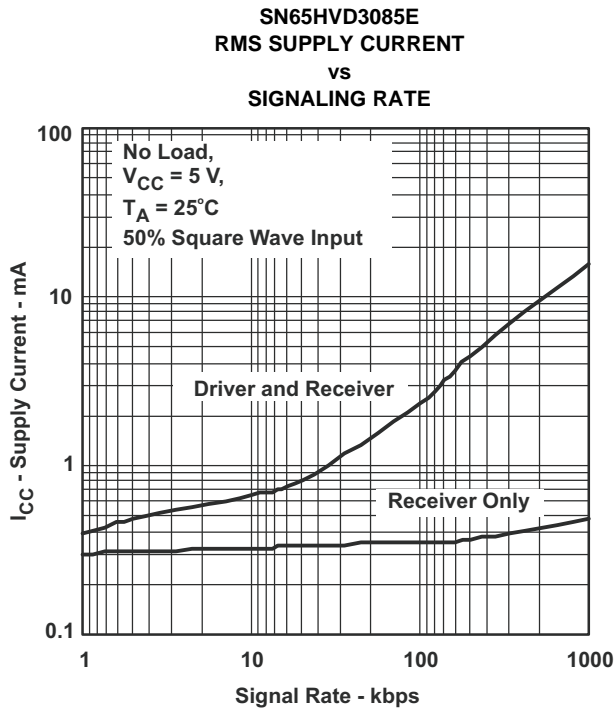


Figure 16.

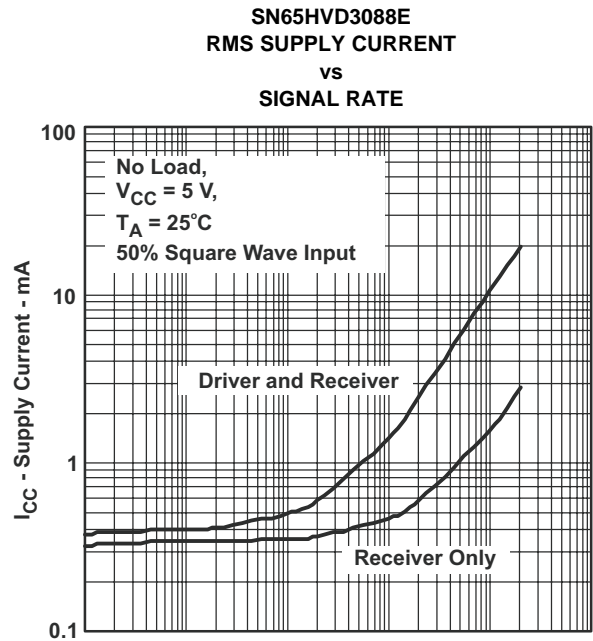


Figure 17.

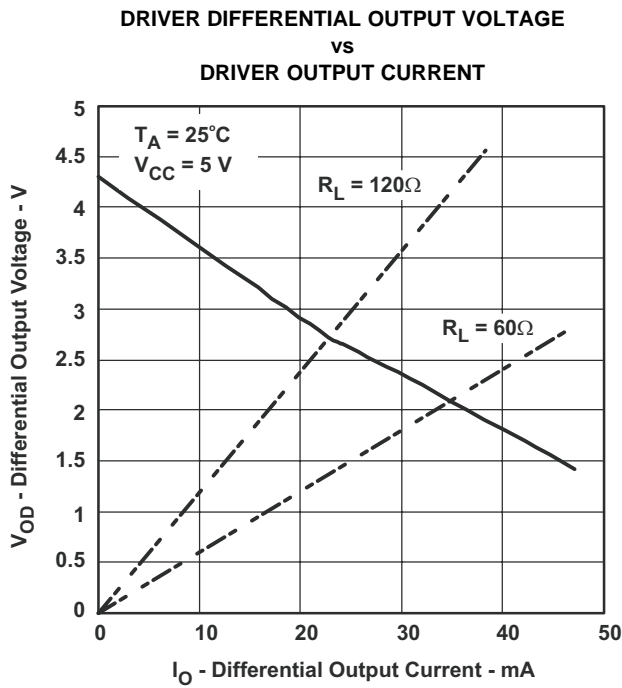


Figure 18.

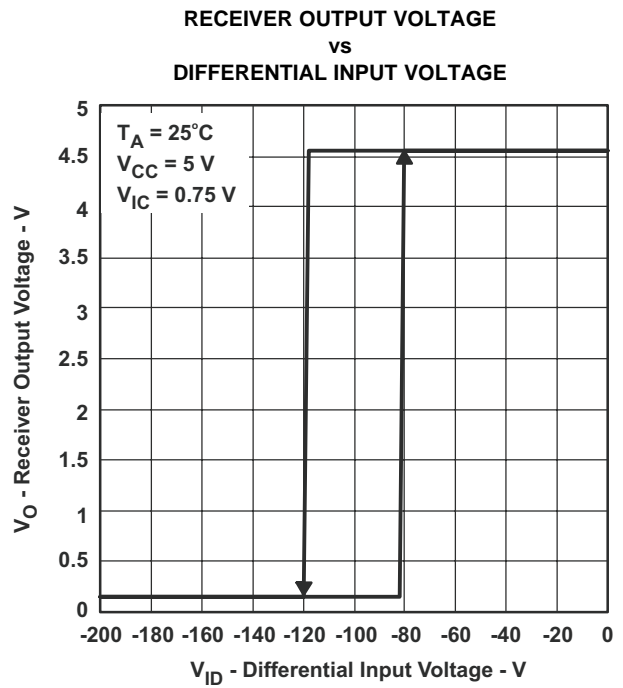


Figure 19.

TYPICAL CHARACTERISTICS (continued)

SN65HVD3088E
DRIVER RISE/FALL TIME
vs
TEMPERATURE

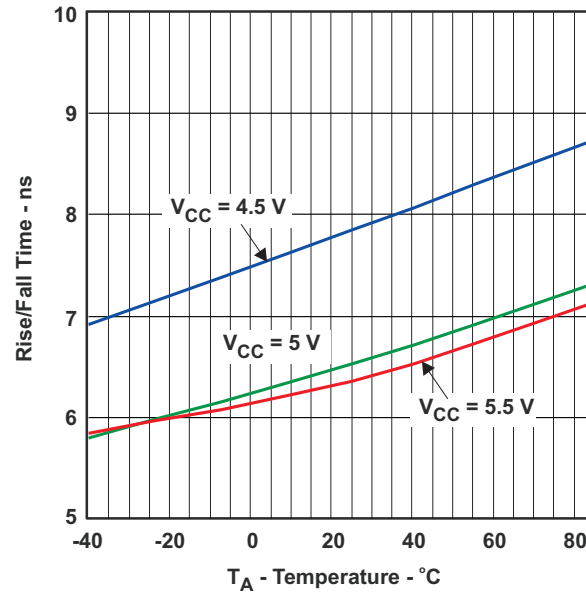
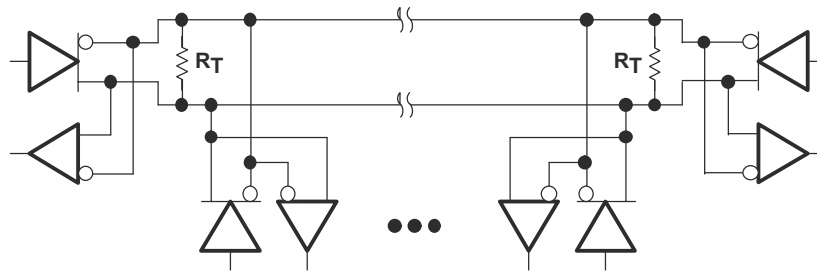


Figure 20.

APPLICATION INFORMATION



Note: The line should be terminated at both ends with its characteristic impedance ($R_T = Z_0$).
Stub lengths off the main line should be kept as short as possible.

Figure 21. Typical Application Circuit

POWER USAGE IN AN RS-485 TRANSCEIVER

Power consumption is a concern in many applications. Power supply current is delivered to the bus load as well as to the transceiver circuitry. For a typical RS-485 bus configuration, the load that an active driver must drive consists of all of the receiving nodes, plus the termination resistors at each end of the bus.

The load presented by the receiving nodes depends on the input impedance of the receiver. The TIA/EIA-485-A standard defines a unit load as allowing up to 1 mA. With up to 32 unit loads allowed on the bus, the total current supplied to all receivers can be as high as 32 mA. The HVD308xE is rated as a 1/8 unit load device. As shown in , the bus input current is less than 1/8 mA, allowing up to 256 nodes on a single bus.

The current in the termination resistors depends on the differential bus voltage. The standard requires active drivers to produce at least 1.5 V of differential signal. For a bus terminated with one standard 120- Ω resistor at each end, this sums to 25 mA differential output current whenever the bus is active. Typically the HVD308xE can drive more than 25 mA to a 60 Ω load, resulting in a differential output voltage higher than the minimum required by the standard. (See [Figure 16](#).)

Overall, the total load current can be 60 mA to a loaded RS-485 bus. This is in addition to the current required by the transceiver itself; the HVD308xE circuitry requires only about 0.4 mA with both driver and receiver enabled, and only 0.3 mA with either the driver enabled or with the receiver enabled. In low-power shutdown mode, neither the driver nor receiver is active, and the supply current is low.

Supply current increases with signaling rate primarily due to the totum pole outputs of the driver (see [Figure 15](#)). When these outputs change state, there is a moment when both the high-side and low-side output transistors are conducting and this creates a short spike in the supply current. As the frequency of state changes increases, more power is used.

LOW-POWER SHUTDOWN MODE

When both the driver and receiver are disabled (DE low and \overline{RE} high) the device is in shutdown mode. If the enable inputs are in this state for less than 60 ns, the device does not enter shutdown mode. This guards against inadvertently entering shutdown mode during driver/receiver enabling. Only when the enable inputs are held in this state for 300 ns or more, the device is assured to be in shutdown mode. In this low-power shutdown mode, most internal circuitry is powered down, and the supply current is typically 1 nA. When either the driver or the receiver is re-enabled, the internal circuitry becomes active.

If only the driver is re-enabled (DE transitions to high) the driver outputs are driven according to the D input after the enable times given by $t_{PZH(SHDN)}$ and $t_{PZL(SHDN)}$ in the driver switching characteristics. If the D input is open when the driver is enabled, the driver outputs defaults to A high and B low, in accordance with the driver failsafe feature.

If only the receiver is re-enabled (RE transitions to low) the receiver output is driven according to the state of the bus inputs (A and B) after the enable times given by $t_{PZH(SHDN)}$ and $t_{PZL(SHDN)}$ in the receiver switching characteristics. If there is no valid state on the bus the receiver responds as described in the failsafe operation section.

If both the receiver and driver are re-enabled simultaneously, the receiver output is driven according to the state of the bus inputs (A and B) and the driver output is driven according to the D input. Note that the state of the active driver affects the inputs to the receiver. Therefore, the receiver outputs are valid as soon as the driver outputs are valid.

THERMAL CHARACTERISTICS OF IC PACKAGES

θ_{JA} (Junction-to-Ambient Thermal Resistance) is defined as the difference in junction temperature to ambient temperature divided by the operating power.

θ_{JA} is NOT a constant and is a strong function of:

- the PCB design (50% variation)
- altitude (20% variation)
- device power (5% variation)

θ_{JA} can be used to compare the thermal performance of packages if the specific test conditions are defined and used. Standardized testing includes specification of PCB construction, test chamber volume, sensor locations, and the thermal characteristics of holding fixtures. θ_{JA} is often misused when it is used to calculate junction temperatures for other installations.

TI uses two test PCBs as defined by JEDEC specifications. The low-k board gives average in-use condition thermal performance and consists of a single trace layer 25 mm long and 2-oz thick copper. The high-k board gives best case in-use condition and consists of two 1-oz buried power planes with a single trace layer 25 mm long with 2-oz thick copper. A 4% to 50% difference in θ_{JA} can be measured between these two test cards.

θ_{JC} (Junction-to-Case Thermal Resistance) is defined as difference in junction temperature to case divided by the operating power. It is measured by putting the mounted package up against a copper block cold plate to force heat to flow from die, through the mold compound into the copper block.

θ_{JC} is a useful thermal characteristic when a heatsink is applied to package. It is NOT a useful characteristic to predict junction temperature as it provides pessimistic numbers if the case temperature is measured in a non-standard system and junction temperatures are backed out. It can be used with θ_{JB} in 1-dimensional thermal simulation of a package system.

θ_{JB} (Junction-to-Board Thermal Resistance) is defined to be the difference in the junction temperature and the PCB temperature at the center of the package (closest to the die) when the PCB is clamped in a cold-plate structure. θ_{JB} is only defined for the high-k test card.

θ_{JB} provides an overall thermal resistance between the die and the PCB. It includes a bit of the PCB thermal resistance (especially for BGA's with thermal balls) and can be used for simple 1-dimensional network analysis of package system (see [Figure 22](#)).

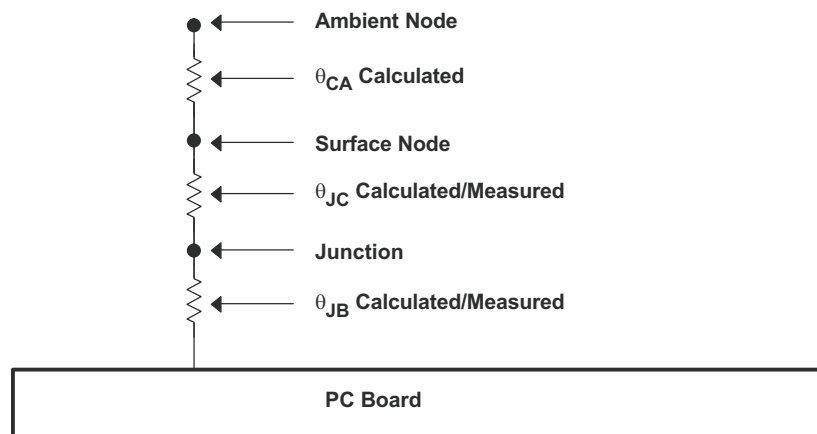


Figure 22. Thermal Resistance

REVISION HISTORY

| Changes from Revision F (March 2009) to Revision G | Page |
|--|------|
| • Added IDLE Bus to the Function Table | 9 |
| • Added Receiver Failsafe section | 9 |
| • Added Graph - DRIVER RISE/FALL TIME vs TEMPERATURE | 13 |

PACKAGING INFORMATION

| Orderable Device | Status ⁽¹⁾ | Package Type | Package Drawing | Pins | Package Qty | Eco Plan ⁽²⁾ | Lead/Ball Finish | MSL Peak Temp ⁽³⁾ |
|--------------------|-----------------------|--------------|-----------------|------|-------------|-------------------------|------------------|------------------------------|
| SN65HVD3082ED | ACTIVE | SOIC | D | 8 | 75 | Green (RoHS & no Sb/Br) | CU NIPDAU | Level-1-260C-UNLIM |
| SN65HVD3082EDG4 | ACTIVE | SOIC | D | 8 | 75 | Green (RoHS & no Sb/Br) | CU NIPDAU | Level-1-260C-UNLIM |
| SN65HVD3082EDGK | ACTIVE | MSOP | DGK | 8 | 80 | Green (RoHS & no Sb/Br) | CU NIPDAU | Level-1-260C-UNLIM |
| SN65HVD3082EDGKR | ACTIVE | MSOP | DGK | 8 | 2500 | Green (RoHS & no Sb/Br) | CU NIPDAU | Level-1-260C-UNLIM |
| SN65HVD3082EDR | ACTIVE | SOIC | D | 8 | 2500 | Green (RoHS & no Sb/Br) | CU NIPDAU | Level-1-260C-UNLIM |
| SN65HVD3082EDRG4 | ACTIVE | SOIC | D | 8 | 2500 | Green (RoHS & no Sb/Br) | CU NIPDAU | Level-1-260C-UNLIM |
| SN65HVD3082EP | ACTIVE | PDIP | P | 8 | 50 | Pb-Free (RoHS) | CU NIPDAU | N / A for Pkg Type |
| SN65HVD3082EPE4 | ACTIVE | PDIP | P | 8 | 50 | Pb-Free (RoHS) | CU NIPDAU | N / A for Pkg Type |
| SN65HVD3085ED | ACTIVE | SOIC | D | 8 | 75 | Green (RoHS & no Sb/Br) | CU NIPDAU | Level-1-260C-UNLIM |
| SN65HVD3085EDG4 | ACTIVE | SOIC | D | 8 | 75 | Green (RoHS & no Sb/Br) | CU NIPDAU | Level-1-260C-UNLIM |
| SN65HVD3085EDGK | ACTIVE | MSOP | DGK | 8 | 80 | Green (RoHS & no Sb/Br) | CU NIPDAU | Level-1-260C-UNLIM |
| SN65HVD3085EDGKG4 | ACTIVE | MSOP | DGK | 8 | 80 | Green (RoHS & no Sb/Br) | CU NIPDAU | Level-1-260C-UNLIM |
| SN65HVD3085EDGKR | ACTIVE | MSOP | DGK | 8 | 2500 | Green (RoHS & no Sb/Br) | CU NIPDAU | Level-1-260C-UNLIM |
| SN65HVD3085EDGKRG4 | ACTIVE | MSOP | DGK | 8 | 2500 | Green (RoHS & no Sb/Br) | CU NIPDAU | Level-1-260C-UNLIM |
| SN65HVD3085EDR | ACTIVE | SOIC | D | 8 | 2500 | Green (RoHS & no Sb/Br) | CU NIPDAU | Level-1-260C-UNLIM |
| SN65HVD3085EDRG4 | ACTIVE | SOIC | D | 8 | 2500 | Green (RoHS & no Sb/Br) | CU NIPDAU | Level-1-260C-UNLIM |
| SN65HVD3088ED | ACTIVE | SOIC | D | 8 | 75 | Green (RoHS & no Sb/Br) | CU NIPDAU | Level-1-260C-UNLIM |
| SN65HVD3088EDG4 | ACTIVE | SOIC | D | 8 | 75 | Green (RoHS & no Sb/Br) | CU NIPDAU | Level-1-260C-UNLIM |
| SN65HVD3088EDGK | ACTIVE | MSOP | DGK | 8 | 80 | Green (RoHS & no Sb/Br) | CU NIPDAU | Level-1-260C-UNLIM |
| SN65HVD3088EDGKG4 | ACTIVE | MSOP | DGK | 8 | 80 | Green (RoHS & no Sb/Br) | CU NIPDAU | Level-1-260C-UNLIM |
| SN65HVD3088EDGKR | ACTIVE | MSOP | DGK | 8 | 2500 | Green (RoHS & no Sb/Br) | CU NIPDAU | Level-1-260C-UNLIM |
| SN65HVD3088EDGKRG4 | ACTIVE | MSOP | DGK | 8 | 2500 | Green (RoHS & no Sb/Br) | CU NIPDAU | Level-1-260C-UNLIM |
| SN65HVD3088EDR | ACTIVE | SOIC | D | 8 | 2500 | Green (RoHS & no Sb/Br) | CU NIPDAU | Level-1-260C-UNLIM |
| SN65HVD3088EDRG4 | ACTIVE | SOIC | D | 8 | 2500 | Green (RoHS & no Sb/Br) | CU NIPDAU | Level-1-260C-UNLIM |
| SN75HVD3082ED | ACTIVE | SOIC | D | 8 | 75 | Green (RoHS & no Sb/Br) | CU NIPDAU | Level-1-260C-UNLIM |

| Orderable Device | Status ⁽¹⁾ | Package Type | Package Drawing | Pins | Package Qty | Eco Plan ⁽²⁾ | Lead/Ball Finish | MSL Peak Temp ⁽³⁾ |
|--------------------|-----------------------|--------------|-----------------|------|-------------|-------------------------|------------------|------------------------------|
| SN75HVD3082EDG4 | ACTIVE | SOIC | D | 8 | 75 | Green (RoHS & no Sb/Br) | CU NIPDAU | Level-1-260C-UNLIM |
| SN75HVD3082EDGK | ACTIVE | MSOP | DGK | 8 | 80 | Green (RoHS & no Sb/Br) | CU NIPDAU | Level-1-260C-UNLIM |
| SN75HVD3082EDGKG4 | ACTIVE | MSOP | DGK | 8 | 80 | Green (RoHS & no Sb/Br) | CU NIPDAU | Level-1-260C-UNLIM |
| SN75HVD3082EDGKR | ACTIVE | MSOP | DGK | 8 | 2500 | Green (RoHS & no Sb/Br) | CU NIPDAU | Level-1-260C-UNLIM |
| SN75HVD3082EDGKRG4 | ACTIVE | MSOP | DGK | 8 | 2500 | Green (RoHS & no Sb/Br) | CU NIPDAU | Level-1-260C-UNLIM |
| SN75HVD3082EDR | ACTIVE | SOIC | D | 8 | 2500 | Green (RoHS & no Sb/Br) | CU NIPDAU | Level-1-260C-UNLIM |
| SN75HVD3082EDRG4 | ACTIVE | SOIC | D | 8 | 2500 | Green (RoHS & no Sb/Br) | CU NIPDAU | Level-1-260C-UNLIM |
| SN75HVD3082EP | ACTIVE | PDIP | P | 8 | 50 | Pb-Free (RoHS) | CU NIPDAU | N / A for Pkg Type |
| SN75HVD3082EPE4 | ACTIVE | PDIP | P | 8 | 50 | Pb-Free (RoHS) | CU NIPDAU | N / A for Pkg Type |
| SNHVD3082EDGKG4 | ACTIVE | MSOP | DGK | 8 | 80 | Green (RoHS & no Sb/Br) | CU NIPDAU | Level-1-260C-UNLIM |
| SNHVD3082EDGKRG4 | ACTIVE | MSOP | DGK | 8 | 2500 | Green (RoHS & no Sb/Br) | CU NIPDAU | Level-1-260C-UNLIM |

⁽¹⁾ The marketing status values are defined as follows:

ACTIVE: Product device recommended for new designs.

LIFEBUY: TI has announced that the device will be discontinued, and a lifetime-buy period is in effect.

NRND: Not recommended for new designs. Device is in production to support existing customers, but TI does not recommend using this part in a new design.

PREVIEW: Device has been announced but is not in production. Samples may or may not be available.

OBSELETE: TI has discontinued the production of the device.

⁽²⁾ Eco Plan - The planned eco-friendly classification: Pb-Free (RoHS), Pb-Free (RoHS Exempt), or Green (RoHS & no Sb/Br) - please check <http://www.ti.com/productcontent> for the latest availability information and additional product content details.

TBD: The Pb-Free/Green conversion plan has not been defined.

Pb-Free (RoHS): TI's terms "Lead-Free" or "Pb-Free" mean semiconductor products that are compatible with the current RoHS requirements for all 6 substances, including the requirement that lead not exceed 0.1% by weight in homogeneous materials. Where designed to be soldered at high temperatures, TI Pb-Free products are suitable for use in specified lead-free processes.

Pb-Free (RoHS Exempt): This component has a RoHS exemption for either 1) lead-based flip-chip solder bumps used between the die and package, or 2) lead-based die adhesive used between the die and leadframe. The component is otherwise considered Pb-Free (RoHS compatible) as defined above.

Green (RoHS & no Sb/Br): TI defines "Green" to mean Pb-Free (RoHS compatible), and free of Bromine (Br) and Antimony (Sb) based flame retardants (Br or Sb do not exceed 0.1% by weight in homogeneous material)

⁽³⁾ MSL, Peak Temp. -- The Moisture Sensitivity Level rating according to the JEDEC industry standard classifications, and peak solder temperature.

Important Information and Disclaimer:The information provided on this page represents TI's knowledge and belief as of the date that it is provided. TI bases its knowledge and belief on information provided by third parties, and makes no representation or warranty as to the accuracy of such information. Efforts are underway to better integrate information from third parties. TI has taken and continues to take reasonable steps to provide representative and accurate information but may not have conducted destructive testing or chemical analysis on incoming materials and chemicals. TI and TI suppliers consider certain information to be proprietary, and thus CAS numbers and other limited information may not be available for release.

In no event shall TI's liability arising out of such information exceed the total purchase price of the TI part(s) at issue in this document sold by TI to Customer on an annual basis.

TAPE AND REEL INFORMATION

QUADRANT ASSIGNMENTS FOR PIN 1 ORIENTATION IN TAPE


*All dimensions are nominal

| Device | Package Type | Package Drawing | Pins | SPQ | Reel Diameter (mm) | Reel Width W1 (mm) | A0 (mm) | B0 (mm) | K0 (mm) | P1 (mm) | W (mm) | Pin1 Quadrant |
|------------------|--------------|-----------------|------|------|--------------------|--------------------|---------|---------|---------|---------|--------|---------------|
| SN65HVD3082EDGKR | MSOP | DGK | 8 | 2500 | 330.0 | 12.4 | 5.3 | 3.4 | 1.4 | 8.0 | 12.0 | Q1 |
| SN65HVD3082EDR | SOIC | D | 8 | 2500 | 330.0 | 12.4 | 6.4 | 5.2 | 2.1 | 8.0 | 12.0 | Q1 |
| SN65HVD3085EDGKR | MSOP | DGK | 8 | 2500 | 330.0 | 12.4 | 5.3 | 3.4 | 1.4 | 8.0 | 12.0 | Q1 |
| SN65HVD3085EDR | SOIC | D | 8 | 2500 | 330.0 | 12.4 | 6.4 | 5.2 | 2.1 | 8.0 | 12.0 | Q1 |
| SN65HVD3088EDGKR | MSOP | DGK | 8 | 2500 | 330.0 | 12.4 | 5.3 | 3.4 | 1.4 | 8.0 | 12.0 | Q1 |
| SN65HVD3088EDR | SOIC | D | 8 | 2500 | 330.0 | 12.4 | 6.4 | 5.2 | 2.1 | 8.0 | 12.0 | Q1 |
| SN75HVD3082EDGKR | MSOP | DGK | 8 | 2500 | 330.0 | 12.4 | 5.3 | 3.4 | 1.4 | 8.0 | 12.0 | Q1 |
| SN75HVD3082EDR | SOIC | D | 8 | 2500 | 330.0 | 12.4 | 6.4 | 5.2 | 2.1 | 8.0 | 12.0 | Q1 |

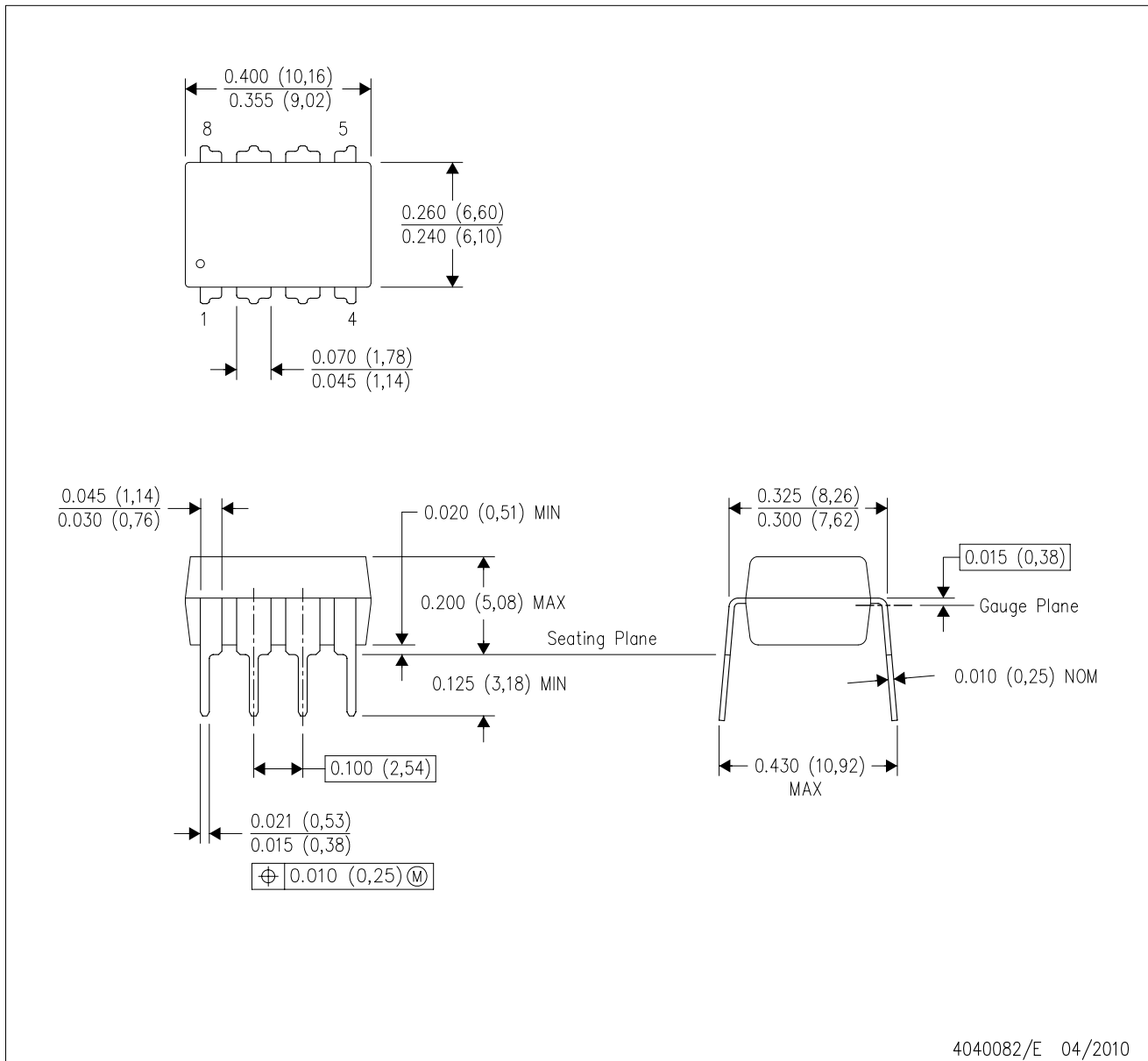
TAPE AND REEL BOX DIMENSIONS


*All dimensions are nominal

| Device | Package Type | Package Drawing | Pins | SPQ | Length (mm) | Width (mm) | Height (mm) |
|------------------|--------------|-----------------|------|------|-------------|------------|-------------|
| SN65HVD3082EDGKR | MSOP | DGK | 8 | 2500 | 346.0 | 346.0 | 29.0 |
| SN65HVD3082EDR | SOIC | D | 8 | 2500 | 340.5 | 338.1 | 20.6 |
| SN65HVD3085EDGKR | MSOP | DGK | 8 | 2500 | 346.0 | 346.0 | 29.0 |
| SN65HVD3085EDR | SOIC | D | 8 | 2500 | 340.5 | 338.1 | 20.6 |
| SN65HVD3088EDGKR | MSOP | DGK | 8 | 2500 | 346.0 | 346.0 | 29.0 |
| SN65HVD3088EDR | SOIC | D | 8 | 2500 | 340.5 | 338.1 | 20.6 |
| SN75HVD3082EDGKR | MSOP | DGK | 8 | 2500 | 346.0 | 346.0 | 29.0 |
| SN75HVD3082EDR | SOIC | D | 8 | 2500 | 340.5 | 338.1 | 20.6 |

P (R-PDIP-T8)

PLASTIC DUAL-IN-LINE PACKAGE

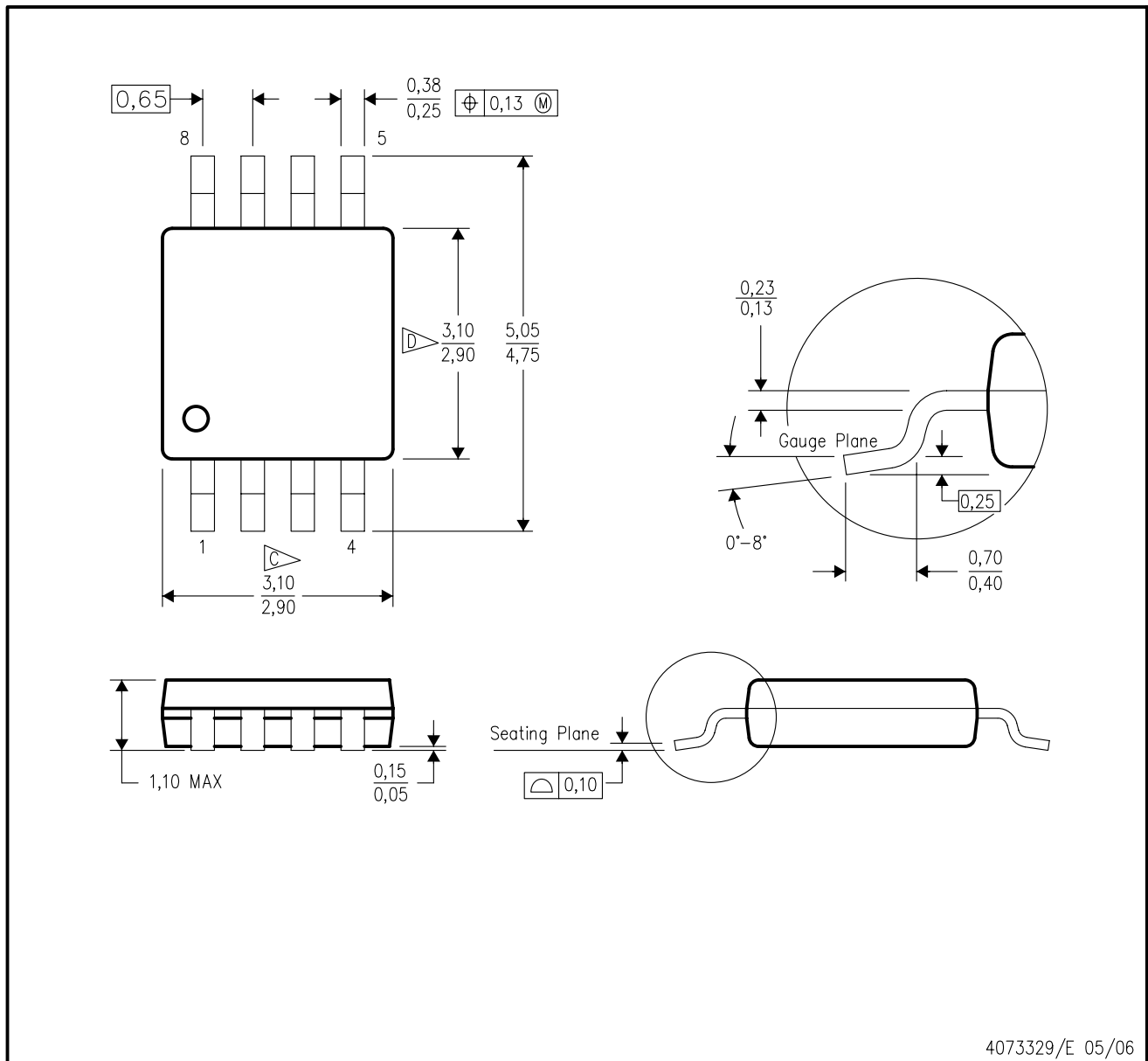


4040082/E 04/2010

- NOTES:
- A. All linear dimensions are in inches (millimeters).
 - B. This drawing is subject to change without notice.
 - C. Falls within JEDEC MS-001 variation BA.

DGK (S-PDSO-G8)

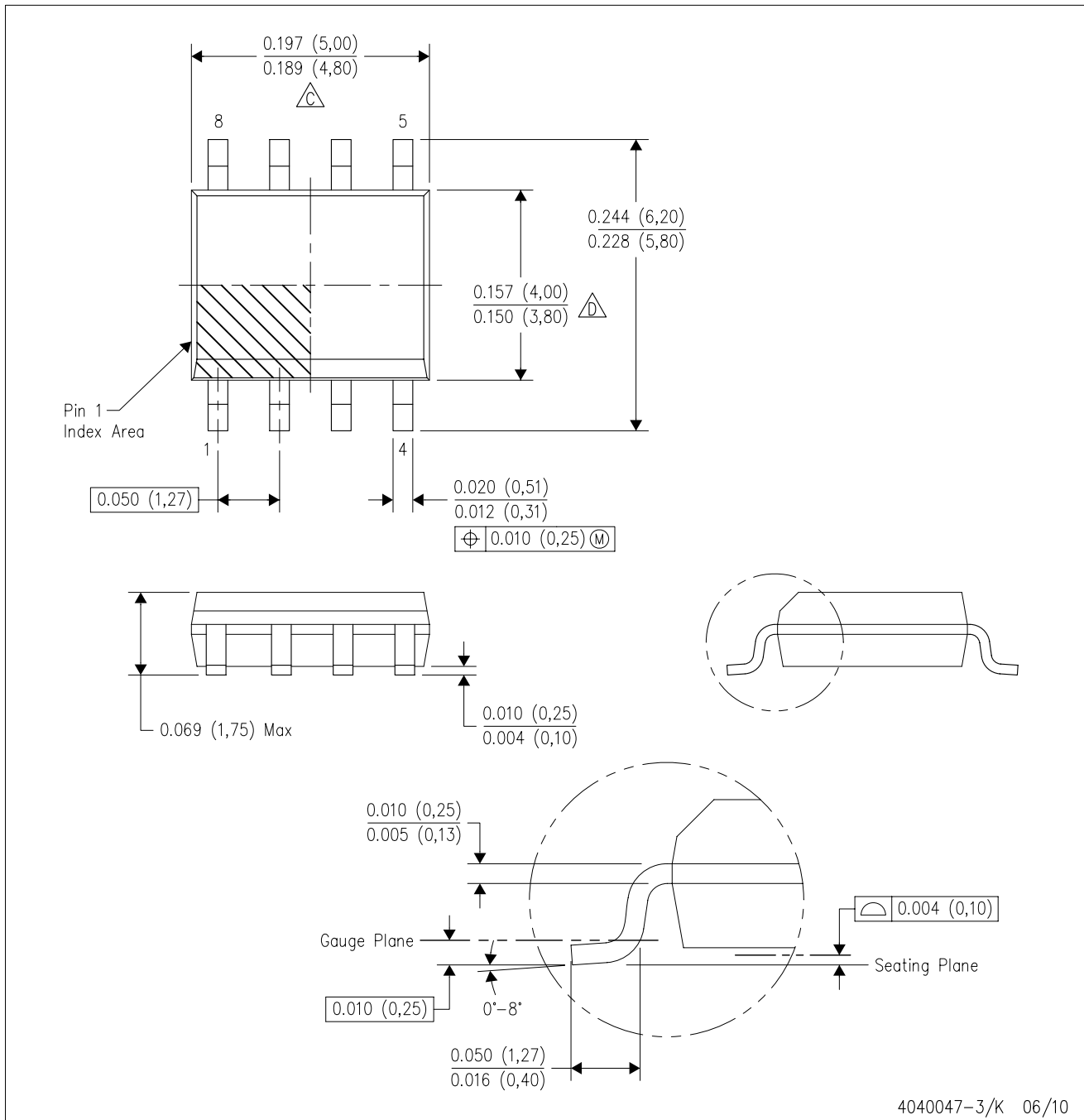
PLASTIC SMALL-OUTLINE PACKAGE



- NOTES:
- A. All linear dimensions are in millimeters.
 - B. This drawing is subject to change without notice.
 - C. Body length does not include mold flash, protrusions, or gate burrs. Mold flash, protrusions, or gate burrs shall not exceed 0.15 per end.
 - D. Body width does not include interlead flash. Interlead flash shall not exceed 0.50 per side.
 - E. Falls within JEDEC MO-187 variation AA, except interlead flash.

D (R-PDSO-G8)

PLASTIC SMALL-OUTLINE PACKAGE



4040047-3/K 06/10

- NOTES:
- A. All linear dimensions are in inches (millimeters).
 - B. This drawing is subject to change without notice.
 - C. Body length does not include mold flash, protrusions, or gate burrs. Mold flash, protrusions, or gate burrs shall not exceed .006 (0,15) per end.
 - D. Body width does not include interlead flash. Interlead flash shall not exceed .017 (0,43) per side.
 - E. Reference JEDEC MS-012 variation AA.

IMPORTANT NOTICE

Texas Instruments Incorporated and its subsidiaries (TI) reserve the right to make corrections, modifications, enhancements, improvements, and other changes to its products and services at any time and to discontinue any product or service without notice. Customers should obtain the latest relevant information before placing orders and should verify that such information is current and complete. All products are sold subject to TI's terms and conditions of sale supplied at the time of order acknowledgment.

TI warrants performance of its hardware products to the specifications applicable at the time of sale in accordance with TI's standard warranty. Testing and other quality control techniques are used to the extent TI deems necessary to support this warranty. Except where mandated by government requirements, testing of all parameters of each product is not necessarily performed.

TI assumes no liability for applications assistance or customer product design. Customers are responsible for their products and applications using TI components. To minimize the risks associated with customer products and applications, customers should provide adequate design and operating safeguards.

TI does not warrant or represent that any license, either express or implied, is granted under any TI patent right, copyright, mask work right, or other TI intellectual property right relating to any combination, machine, or process in which TI products or services are used. Information published by TI regarding third-party products or services does not constitute a license from TI to use such products or services or a warranty or endorsement thereof. Use of such information may require a license from a third party under the patents or other intellectual property of the third party, or a license from TI under the patents or other intellectual property of TI.

Reproduction of TI information in TI data books or data sheets is permissible only if reproduction is without alteration and is accompanied by all associated warranties, conditions, limitations, and notices. Reproduction of this information with alteration is an unfair and deceptive business practice. TI is not responsible or liable for such altered documentation. Information of third parties may be subject to additional restrictions.

Resale of TI products or services with statements different from or beyond the parameters stated by TI for that product or service voids all express and any implied warranties for the associated TI product or service and is an unfair and deceptive business practice. TI is not responsible or liable for any such statements.

TI products are not authorized for use in safety-critical applications (such as life support) where a failure of the TI product would reasonably be expected to cause severe personal injury or death, unless officers of the parties have executed an agreement specifically governing such use. Buyers represent that they have all necessary expertise in the safety and regulatory ramifications of their applications, and acknowledge and agree that they are solely responsible for all legal, regulatory and safety-related requirements concerning their products and any use of TI products in such safety-critical applications, notwithstanding any applications-related information or support that may be provided by TI. Further, Buyers must fully indemnify TI and its representatives against any damages arising out of the use of TI products in such safety-critical applications.

TI products are neither designed nor intended for use in military/aerospace applications or environments unless the TI products are specifically designated by TI as military-grade or "enhanced plastic." Only products designated by TI as military-grade meet military specifications. Buyers acknowledge and agree that any such use of TI products which TI has not designated as military-grade is solely at the Buyer's risk, and that they are solely responsible for compliance with all legal and regulatory requirements in connection with such use.

TI products are neither designed nor intended for use in automotive applications or environments unless the specific TI products are designated by TI as compliant with ISO/TS 16949 requirements. Buyers acknowledge and agree that, if they use any non-designated products in automotive applications, TI will not be responsible for any failure to meet such requirements.

Following are URLs where you can obtain information on other Texas Instruments products and application solutions:

| Products | | Applications | |
|-----------------------------|--|----------------------------|--|
| Amplifiers | amplifier.ti.com | Audio | www.ti.com/audio |
| Data Converters | dataconverter.ti.com | Automotive | www.ti.com/automotive |
| DLP® Products | www.dlp.com | Communications and Telecom | www.ti.com/communications |
| DSP | dsp.ti.com | Computers and Peripherals | www.ti.com/computers |
| Clocks and Timers | www.ti.com/clocks | Consumer Electronics | www.ti.com/consumer-apps |
| Interface | interface.ti.com | Energy | www.ti.com/energy |
| Logic | logic.ti.com | Industrial | www.ti.com/industrial |
| Power Mgmt | power.ti.com | Medical | www.ti.com/medical |
| Microcontrollers | microcontroller.ti.com | Security | www.ti.com/security |
| RFID | www.ti-rfid.com | Space, Avionics & Defense | www.ti.com/space-avionics-defense |
| RF/IF and ZigBee® Solutions | www.ti.com/lprf | Video and Imaging | www.ti.com/video |
| | | Wireless | www.ti.com/wireless-apps |

Mailing Address: Texas Instruments, Post Office Box 655303, Dallas, Texas 75265
Copyright © 2010, Texas Instruments Incorporated