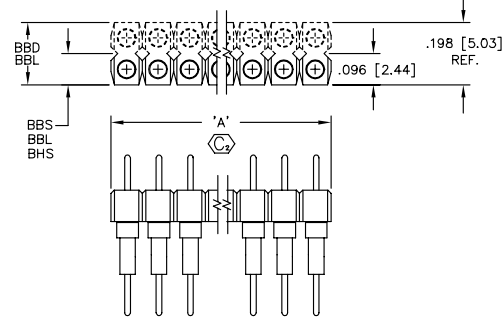
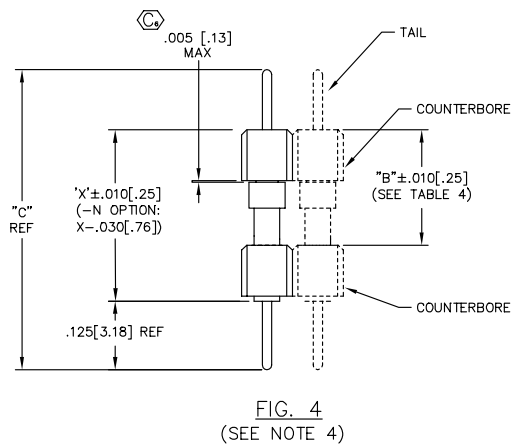
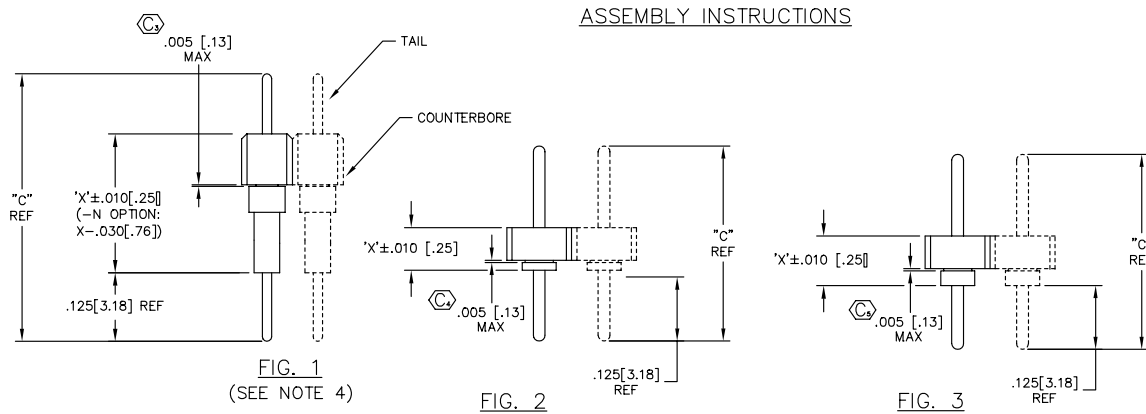


UNLESS OTHERWISE NOTED  
 DIMENSIONS ARE IN INCHES TOLERANCES ARE:  
 ONE PLACE DECIMALS: ± .1 [3] THREE PLACE DECIMALS: ± .005 [.13]  
 TWO PLACE DECIMALS: ± .01 [.3] FOUR PLACE DECIMALS: ± .0020 [.051]

TITLE: ASSEMBLY BOARD TO BOARD SPACING  
 DWG NO: BXX-1XX-X-X-X  
 SHEET 1 OF 1

THIS DESIGN HAS NOT BEEN APPROVED BY ENGINEERING DO NOT REPRODUCE THIS PRINT

ASSEMBLY INSTRUCTIONS



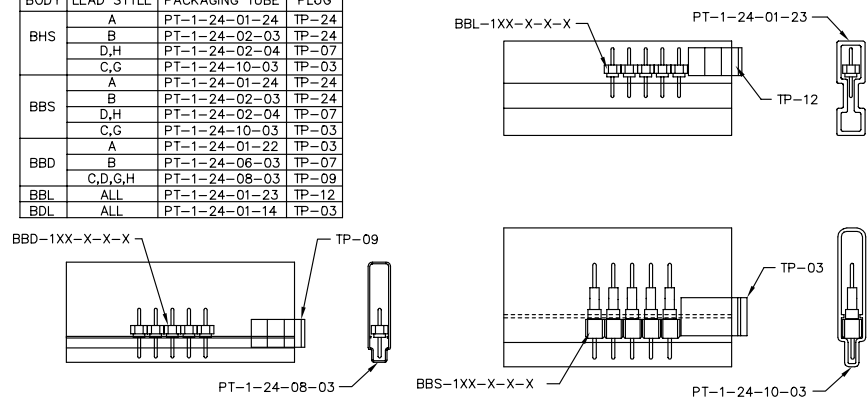
BXX-1XX-X-X-X  
 BODY SPECIFICATION (SEE TABLE 1)  
 BODY STYLE  
 BBS: SINGLE  
 BBD: DOUBLE  
 BBL: SINGLE, LOW PROFILE  
 BDL: DOUBLE, LOW PROFILE  
 BHS: SINGLE, HI-TEMP  
 OPTION  
 -N: NON-FLUSH-LEAVE BLANK FOR STANDARD (USE BODY SPECIFIED IN TABLE 1) (SEE TABLE 4)  
 TERMINAL SPECIFICATION (SEE TABLE 2)  
 PLATING SPECIFICATION (SEE TABLE 2)  
 -G: SPECIFY -G IN TERMINAL SUFFIX -X  
 -T: SPECIFY -T IN TERMINAL SUFFIX -X  
 BODY LENGTH SPECIFICATION  
 'A' = (NO. OF POSITIONS X .100 ± .015)  
 'A' = BBS: XX-MAX 32 POSITION  
 'A' = BBL: XX-MAX 32 POSITION  
 'A' = BHS: XX-MAX 36 POSITION (MUST BE CUT ON MULTI-CUTTER)  
 'A' = BBD: XX-MAX 36 POSITION  
 'A' = BDL: XX-MAX 36 POSITION

- NOTES:  
 1.) MIN. PUSHOUT FORCE: 5 lbs FOR ALL EXCEPT BBL, FOR BBL: 2 lbs. MIN.  
 2.) MAX ALLOWABLE BOW:  
 FOR STRIPS MOLDED IN VALOX=.009 IN/IN  
 FOR STRIPS MOLDED IN ULTEM=.003 IN/IN  
 (FOR BHS ONLY: .004 IN/IN TOP TO BOTTOM, .008 IN/IN SIDE TO SIDE.)  
 (FOR BBL ONLY: .055 MAX.)  
 3.) Ⓞ REPRESENTS A CRITICAL DIMENSION.  
 4.) ON BBD STYLE FILL WITH COUNTERBORE TOWARD TAILS, ALL OTHER STYLES FILL COUNTERBORE AWAY FROM TAILS.  
 4.) ON BBD STYLE (OR BODIES), COUNTERBORE IN DSB BODY SHOULD BE REVERSED FROM VIEW SHOWN.

TABLE 3 (4 POSITION MIN)

BODY	LEAD STYLE	PACKAGING TUBE	PLUG
BHS	A	PT-1-24-01-24	TP-24
	B	PT-1-24-02-03	TP-24
	D,H	PT-1-24-02-04	TP-07
	C,G	PT-1-24-10-03	TP-03
BBS	A	PT-1-24-01-24	TP-24
	B	PT-1-24-02-03	TP-24
	D,H	PT-1-24-02-04	TP-07
	C,G	PT-1-24-10-03	TP-03
BBD	A	PT-1-24-01-22	TP-03
	B	PT-1-24-06-03	TP-07
BBL	C,D,G,H	PT-1-24-08-03	TP-09
BDL	ALL	PT-1-24-01-23	TP-12
		PT-1-24-01-14	TP-03

PACKAGING



PROPRIETARY NOTE  
 THIS DOCUMENT CONTAINS INFORMATION CONFIDENTIAL AND PROPRIETARY TO SAMTEC INC AND SHALL NOT BE REPRODUCED OR TRANSMITTED TO OTHER DOCUMENTS OR DISCLOSED TO OTHERS OR USED FOR ANY PURPOSE OTHER THAN THAT FOR WHICH IT WAS OBTAINED WITHOUT THE EXPRESS WRITTEN CONSENT OF SAMTEC INC.

TABLE 4

TERMINAL SPEC.	"B"
-G	.320 [8.13]
-H	.440 [11.18]
-G-N	.290 [7.37]
-H-N	.410 [10.41]

TABLE 1

BODY STYLE	BODY	
	STANDARD	-N OPTION
BBS-	TBS-32	SSB-XX
BBD-	DSB-36	DSB-XX
BBL-	SSL-XX	N/A
BDL-	HSDL-XX	N/A
BHS-G(PLATING)	HTS-36-G	SSB-XX-U

TABLE 2

LEAD STYLE	BODY SPEC.	"X"	FIG.	"C"	BODY SPEC.	BBL,BDL	"X"	FIG.	"C"
A	T-1R14-1-X	.210 [5.35]	1	.460 [11.68]	N/A				
B	T-1R14-2-X	.335 [8.51]		.585 [14.86]	N/A				
C	T-1R14-3-X	.585 [14.86]		.835 [21.21]	N/A				
D	T-1R14-4-X	.835 [21.21]		1.085 [27.56]	N/A				
E	N/A				T-1R6-X	.070	2	.300 [7.62]	
F	N/A				T-2R6-X	.085	3	.332 [8.43]	
G	T-1R14-5-X	.585 [14.86]	4	.835 [21.21]	N/A				
H	T-1R14-6-X	.835 [21.21]		1.085 [27.56]	N/A				

MATERIAL:  
 INSULATOR:  
 GLASS FILLED POLYESTER  
 COLOR: BLACK  
 TERMINAL:  
 PHOSPHOR BRONZE OR BRASS

EXSPROD/MSO/MKTG BOX-MKT

**samtec**

520 PARK EAST BLVD. NEW ALBANY, INDIANA 47150  
 PHONE (812) 944-6733 P.O. BOX 1147  
 CODE 55322

MADE BY: TY 2-18-85  
 CHECKED BY: L WILLIAMS 2-23-85

ENGINEER APPROVAL

BXX-1XX-X-X-X  
 SHEET 1 OF 1