

# DATA SHEET

O58/O59 PLL-SI  
**Aluminum electrolytic capacitors**  
**Power Long Life Snap-in**

Product specification  
Supersedes data of 18th January 2000  
File under BCcomponents, BC01

2000 Sep 18

# Aluminum electrolytic capacitors Power Long Life Snap-in

058/059 PLL-SI

## FEATURES

- Polarized aluminum electrolytic capacitors, non-solid electrolyte
- Large types, minimized dimensions, cylindrical aluminum case, insulated with a blue sleeve
- Pressure relief on the top of the aluminum case
- Charge and discharge proof
- Very long useful life: up to 10000 hours at 105 °C
- Extended temperature range: 105 °C
- Low ESR, high ripple current capability
- Keyed polarity version available.

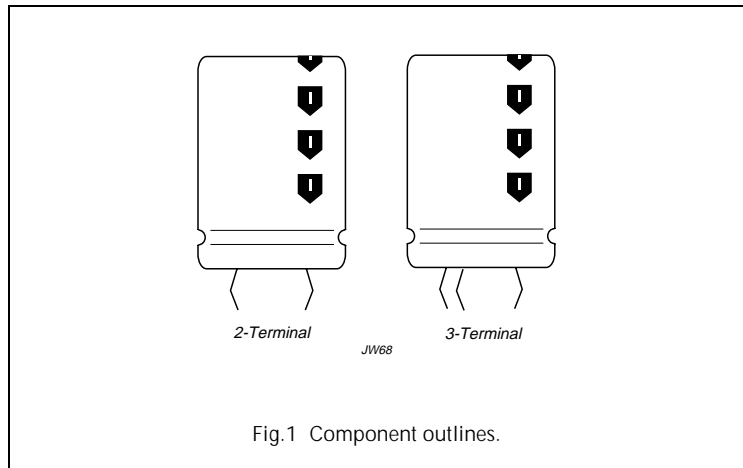
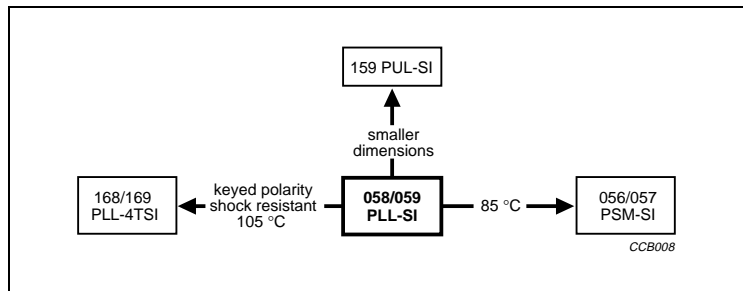


Fig.1 Component outlines.

## APPLICATIONS

- Computer, telecommunication and industrial systems
- Smoothing and filtering applications
- Standard and switched mode power supplies
- Energy storage in pulse systems.



## QUICK REFERENCE DATA

DESCRIPTION	VALUE	
	058	059
Case size ( $\varnothing D_{nom} \times L_{nom}$ in mm)	22 × 25 to 35 × 50	
Rated capacitance range (E6 series), $C_R$	33 to 47000 $\mu F$	
Tolerance on $C_R$	±20%	
Rated voltage range, $U_R$	10 to 100 V	200 to 400 V
Category temperature range	-40 to +105 °C	
Endurance test at 105 °C	≤50 V: 2000 hours; ≥63 V: 5000 hours	
Useful life at 105 °C	≤50 V: 5000 hours; ≥63 V: 10000 hours	
Useful life at 40 °C and $1.9 \times I_R$ applied	≤50 V: 125000 hours; ≥63 V: 250000 hours	
Shelf life at 0 V, 105 °C	500 hours	
Based on sectional specification	IEC 60384-4/EN130300	
Climatic category IEC 60068	40/105/56	

# Aluminum electrolytic capacitors

## Power Long Life Snap-in

### 058/059 PLL-SI

Selection chart for  $C_R$ ,  $U_R$  and relevant nominal case sizes ( $\varnothing D \times L$  in mm) for 058 series

Preferred types (2-terminals) in **bold**.

$C_R$ ( $\mu F$ )	$U_R$ (V)						
	10	16	25	40	50	63	100
330	–	–	–	–	–	–	22 × 25
470	–	–	–	–	–	–	<b>22 × 30</b>
680	–	–	–	–	–	22 × 25	<b>25 × 30</b>
	–	–	–	–	–	–	22 × 40
1000	–	–	–	–	22 × 25	<b>22 × 30</b>	30 × 30
	–	–	–	–	–	–	<b>25 × 40</b>
1500	–	–	–	22 × 25	<b>22 × 30</b>	<b>25 × 30</b>	<b>30 × 40</b>
	–	–	–	–	–	22 × 40	25 × 50
2200	–	–	22 × 25	<b>22 × 30</b>	<b>25 × 30</b>	30 × 30	35 × 40
	–	–	–	–	22 × 40	<b>25 × 40</b>	<b>30 × 50</b>
3300	–	22 × 25	<b>22 × 30</b>	<b>25 × 30</b>	30 × 30	<b>30 × 40</b>	<b>35 × 50</b>
	–	–	–	22 × 40	<b>25 × 40</b>	25 × 50	–
4700	22 × 25	<b>22 × 30</b>	<b>25 × 30</b>	30 × 30	<b>30 × 40</b>	35 × 40	–
	–	–	22 × 40	<b>25 × 40</b>	25 × 50	<b>30 × 50</b>	–
6800	<b>22 × 30</b>	<b>25 × 30</b>	30 × 30	<b>30 × 40</b>	<b>35 × 40</b>	<b>35 × 50</b>	–
	–	22 × 40	<b>25 × 40</b>	25 × 50	30 × 50	–	–
10000	<b>25 × 30</b>	30 × 30	<b>30 × 40</b>	35 × 40	<b>35 × 50</b>	–	–
	22 × 40	<b>25 × 40</b>	25 × 50	<b>30 × 50</b>	–	–	–
15000	30 × 30	<b>30 × 40</b>	35 × 40	<b>35 × 50</b>	–	–	–
	<b>25 × 40</b>	25 × 50	<b>30 × 50</b>	–	–	–	–
22000	<b>30 × 40</b>	35 × 40	<b>35 × 50</b>	–	–	–	–
	25 × 50	<b>30 × 50</b>	–	–	–	–	–
33000	35 × 40	<b>35 × 50</b>	–	–	–	–	–
	<b>30 × 50</b>	–	–	–	–	–	–
47000	<b>35 × 50</b>	–	–	–	–	–	–

# Aluminum electrolytic capacitors

## Power Long Life Snap-in

### 058/059 PLL-SI

Selection chart for  $C_R$ ,  $U_R$  and relevant nominal case sizes ( $\varnothing D \times L$  in mm) for 059 series

Preferred types (2-terminals) in **bold**.

$C_R$ ( $\mu\text{F}$ )	$U_R$ (V)			
	200	250	385	400
33	–	–	22 × 25	–
47	–	–	<b>22 × 30</b>	<b>22 × 30</b>
68	–	22 × 25	22 × 35	22 × 35
	–	–	<b>25 × 30</b>	<b>25 × 30</b>
100	22 × 25	<b>22 × 30</b>	30 × 30	30 × 30
	–	–	<b>25 × 40</b>	<b>25 × 40</b>
150	<b>22 × 30</b>	22 × 35	25 × 50	30 × 35
	–	<b>25 × 30</b>	<b>30 × 40</b>	<b>25 × 50</b>
220	22 × 35	30 × 30	35 × 40	35 × 40
	<b>25 × 30</b>	<b>25 × 35</b>	<b>30 × 50</b>	<b>30 × 50</b>
330	30 × 30	30 × 35	<b>35 × 50</b>	<b>35 × 50</b>
	<b>25 × 40</b>	<b>25 × 50</b>	–	–
470	30 × 35	35 × 35	–	–
	<b>25 × 50</b>	<b>30 × 45</b>	–	–
680	35 × 35	<b>35 × 45</b>	–	–
	<b>30 × 45</b>	–	–	–
1000	<b>35 × 50</b>	–	–	–

### MARKING

The capacitors are marked (where possible) with the following information:

- Rated capacitance (in  $\mu\text{F}$ )
- Tolerance code on rated capacitance (M for  $\pm 20\%$ )
- Rated voltage (in V)
- Climatic category in accordance with "IEC 60068"
- Date code (year and week) in accordance with "IEC 60062"
- Code for factory of origin
- Name of manufacturer
- Minus-sign to indicate the negative terminal, visible from the top and side of the capacitor
- Code number (last 8 digits)
- Code for basic specification in accordance with "IEC 60384-4-1" and "CECC 30301".

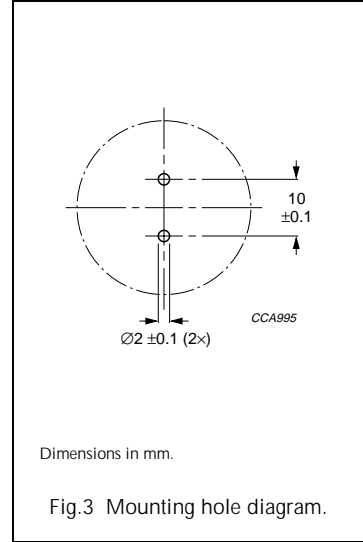
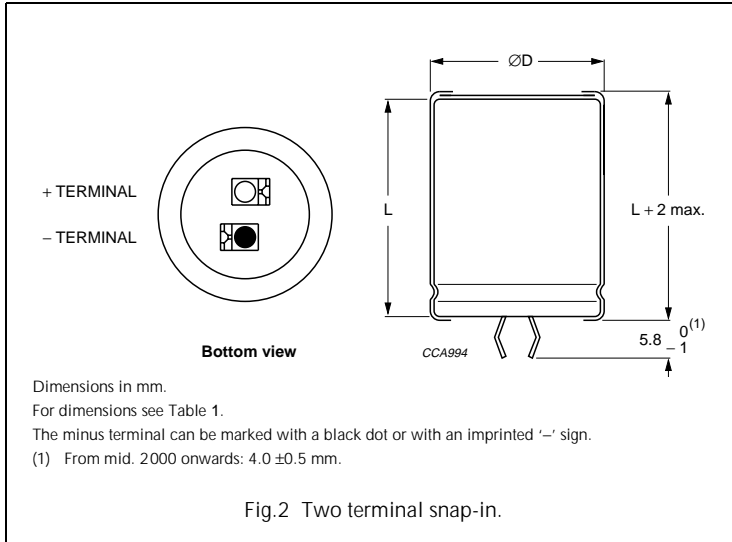
# Aluminum electrolytic capacitors

## Power Long Life Snap-in

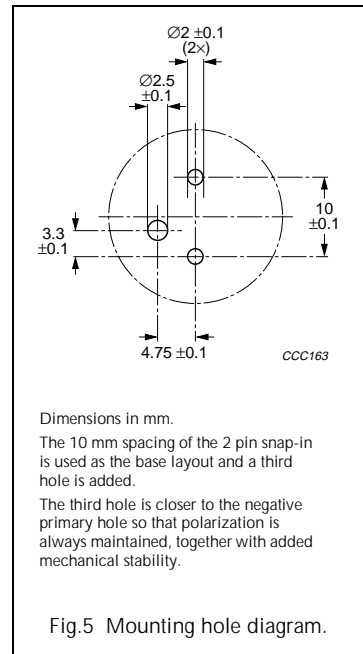
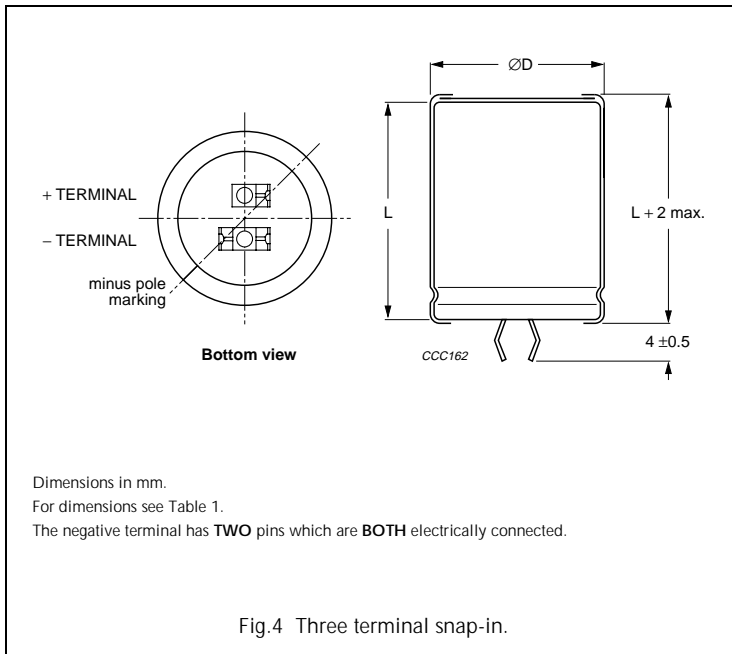
058/059 PLL-SI

### MECHANICAL DATA AND PACKAGING QUANTITIES

#### Two terminal snap-in



#### Three terminal snap-in



# Aluminum electrolytic capacitors

## Power Long Life Snap-in

### 058/059 PLL-SI

**Table 1** Physical dimensions, mass and packaging information; see Figs 2 and 4

NOMINAL CASE SIZE $\varnothing D \times L$ (mm)	$\varnothing D_{\max}$ (mm)	$L_{\max}$ (mm)	MASS (g)	PACKAGING QUANTITIES (units per box)	CARDBOARD BOX DIMENSIONS $l \times w \times h$ (mm)
22 × 25	23	27	≈12	100	260 × 250 × 39
22 × 30	23	32	≈16	100	260 × 250 × 44
22 × 35	23	37	≈20	100	260 × 250 × 49
22 × 40	23	42	≈23	100	260 × 250 × 54
25 × 30	26	32	≈22	100	290 × 280 × 44
25 × 35	26	37	≈24	100	290 × 280 × 49
25 × 40	26	42	≈27	100	290 × 280 × 54
25 × 50	26	52	≈38	100	290 × 280 × 64
30 × 30	31	32	≈30	100	340 × 330 × 44
30 × 35	31	37	≈35	100	340 × 330 × 49
30 × 40	31	42	≈40	100	340 × 330 × 54
30 × 45	31	47	≈45	100	340 × 330 × 59
30 × 50	31	52	≈50	100	340 × 330 × 64
35 × 35	36	37	≈48	50	390 × 198 × 49
35 × 40	36	42	≈55	50	390 × 198 × 54
35 × 45	36	47	≈63	50	390 × 198 × 59
35 × 50	36	52	≈72	50	390 × 198 × 64

# Aluminum electrolytic capacitors

## Power Long Life Snap-in

### 058/059 PLL-SI

#### ELECTRICAL DATA AND ORDERING INFORMATION

Unless otherwise specified, all electrical values in Tables 2 and 3 apply at  $T_{amb} = 20\text{ °C}$ ,  $P = 86\text{ to }106\text{ kPa}$ ,  $RH = 45\text{ to }75\%$ .

SYMBOL	DESCRIPTION
$C_R$	rated capacitance at 100 Hz
$I_R$	rated RMS ripple current at 100 Hz or $\geq 10\text{ kHz}$ and $105\text{ °C}$
$I_{L1}$	max. leakage current after 1 minute at $U_R$
$I_{L5}$	max. leakage current after 5 minutes at $U_R$
ESR	max. equivalent series resistance at 100 Hz
Z	max. impedance at 10 kHz

#### Ordering example

Electrolytic capacitor 058 series

10000  $\mu\text{F}/25\text{ V}$ ;  $\pm 20\%$

Nominal case size:  $\varnothing 30 \times 40\text{ mm}$

2-TERMINAL SNAP-IN:

Catalogue number: 2222 058 56103.

3-TERMINAL SNAP-IN:

Catalogue number: 2222 058 76103.

**Table 2** Electrical data and ordering information for **058** series; preferred types in **bold**

$U_R$ (V)	$C_R$ 100 Hz ( $\mu\text{F}$ )	NOMINAL CASE SIZE $\varnothing D \times L$ (mm)	$I_R$ 100 Hz 105 °C (A)	$I_R$ $\geq 10\text{ kHz}$ 105 °C (A)	$I_{L1}$ 1 min ( $\mu\text{A}$ )	$I_{L5}$ 5 min ( $\mu\text{A}$ )	ESR 100 Hz (m $\Omega$ )	Z 10 kHz (m $\Omega$ )	CATALOGUE NUMBER 2222 058 .....	
									2-TERM.	3-TERM.
10	4700	22 × 25	1.95	2.30	286	98	82	57	54472	74472
	<b>6800</b>	<b>22 × 30</b>	2.44	2.88	412	140	61	44	<b>54682</b>	74682
	<b>10000</b>	<b>25 × 30</b>	2.81	3.32	604	204	54	42	<b>54103</b>	74103
	10000	22 × 40	3.29	3.88	604	204	43	32	44103	24103
	15000	30 × 30	3.53	4.17	904	304	42	34	54153	74153
	<b>15000</b>	<b>25 × 40</b>	3.78	4.46	904	304	38	30	<b>44153</b>	24153
	<b>22000</b>	<b>30 × 40</b>	4.62	5.45	1324	444	31	25	<b>54223</b>	74223
	22000	25 × 50	4.68	5.52	1324	444	31	24	44223	24223
	33000	35 × 40	5.15	6.08	1984	664	30	24	54333	74333
	<b>33000</b>	<b>30 × 50</b>	5.70	6.73	1984	664	24	21	<b>44333</b>	24333
<b>47000</b>	<b>35 × 50</b>	6.23	7.35	2824	944	24	21	<b>54473</b>	74473	
16	3300	22 × 25	1.90	2.24	321	110	86	57	55332	75332
	<b>4700</b>	<b>22 × 30</b>	2.36	2.78	455	154	65	44	<b>55472</b>	75472
	<b>6800</b>	<b>25 × 30</b>	2.75	3.25	657	222	56	42	<b>55682</b>	75682
	6800	22 × 40	3.18	3.75	657	222	46	32	45682	25682
	10000	30 × 30	3.44	4.06	964	324	44	34	55103	75103
	<b>10000</b>	<b>25 × 40</b>	3.66	4.32	964	324	40	30	<b>45103</b>	25103
	<b>15000</b>	<b>30 × 40</b>	4.55	5.37	1444	484	32	25	<b>55153</b>	75153
	15000	25 × 50	4.55	5.37	1444	484	32	24	45153	25153
	22000	35 × 40	5.07	5.98	2116	708	31	24	55223	75223
	<b>22000</b>	<b>30 × 50</b>	5.67	6.69	2116	708	25	21	<b>45223</b>	25223
	<b>33000</b>	<b>35 × 50</b>	6.23	7.35	3172	1060	25	21	<b>55333</b>	75333

# Aluminum electrolytic capacitors

## Power Long Life Snap-in

### 058/059 PLL-SI

U <sub>R</sub> (V)	C <sub>R</sub> 100 Hz (μF)	NOMINAL CASE SIZE ∅D × L (mm)	I <sub>R</sub> 100 Hz 105 °C (A)	I <sub>R</sub> ≥10 kHz 105 °C (A)	I <sub>L1</sub> 1 min (μA)	I <sub>L5</sub> 5 min (μA)	ESR 100 Hz (mΩ)	Z 10 kHz (mΩ)	CATALOGUE NUMBER 2222 058 .....		
									2-TERM.	3-TERM.	
25	2200	22 × 25	1.76	2.08	334	114	100	57	56222	76222	
	<b>3300</b>	<b>22 × 30</b>	2.23	2.63	499	169	73	44	<b>56332</b>	76332	
	<b>4700</b>	<b>25 × 30</b>	2.60	3.07	709	239	62	42	<b>56472</b>	76472	
	4700	22 × 40	3.00	3.54	709	239	52	32	46472	26472	
	6800	30 × 30	3.26	3.85	1024	344	49	34	56682	76682	
	<b>6800</b>	<b>25 × 40</b>	3.49	4.12	1024	344	44	30	<b>46682</b>	26682	
	<b>10000</b>	<b>30 × 40</b>	4.37	5.16	1504	504	35	25	<b>56103</b>	76103	
	10000	25 × 50	4.37	5.16	1504	504	35	24	46103	26103	
	15000	35 × 40	4.91	5.79	2254	754	33	24	56153	76153	
	<b>15000</b>	<b>30 × 50</b>	5.43	6.41	2254	754	27	21	<b>46153</b>	26153	
	<b>22000</b>	<b>35 × 50</b>	6.07	7.16	3304	1104	27	21	<b>56223</b>	76223	
40	1500	22 × 25	1.65	2.01	364	124	114	65	57152	77152	
	<b>2200</b>	<b>22 × 30</b>	2.04	2.49	532	180	87	50	<b>57222</b>	77222	
	<b>3300</b>	<b>25 × 30</b>	2.43	2.99	796	268	71	45	<b>57332</b>	77332	
	3300	22 × 40	2.78	3.39	796	268	60	37	47332	27332	
	4700	30 × 30	2.96	3.61	1132	380	59	40	57472	77472	
	<b>4700</b>	<b>25 × 40</b>	3.26	3.90	1132	380	51	32	<b>47472</b>	27472	
	<b>6800</b>	<b>30 × 40</b>	3.94	4.81	1636	548	42	29	<b>57682</b>	77682	
	6800	25 × 50	4.10	5.00	1636	548	39	26	47682	27682	
	10000	35 × 40	4.18	5.10	2404	804	46	29	57103	77103	
	<b>10000</b>	<b>30 × 50</b>	4.98	6.08	2404	804	36	24	<b>47103</b>	27103	
		<b>15000</b>	<b>35 × 50</b>	5.21	6.36	3604	1204	36	24	<b>57153</b>	77153



# Aluminum electrolytic capacitors

## Power Long Life Snap-in

### 058/059 PLL-SI

U <sub>R</sub> (V)	C <sub>R</sub> 100 Hz (μF)	NOMINAL CASE SIZE ØD × L (mm)	I <sub>R</sub> 100 Hz 105 °C (A)	I <sub>R</sub> ≥10 kHz 105 °C (A)	I <sub>L1</sub> 1 min (μA)	I <sub>L5</sub> 5 min (μA)	ESR 100 Hz (mΩ)	Z 10 kHz (mΩ)	CATALOGUE NUMBER 2222 058 .....		
									2-TERM.	3-TERM.	
50	1000	22 × 25	1.50	1.83	304	104	138	69	51102	71102	
	<b>1500</b>	<b>22 × 30</b>	1.88	2.29	454	154	102	54	<b>51152</b>	71152	
	<b>2200</b>	<b>25 × 30</b>	2.27	2.77	664	124	82	47	<b>51222</b>	71222	
	2200	22 × 40	2.55	3.11	664	124	71	38	41222	21222	
	3300	30 × 30	2.81	3.43	994	334	66	41	51332	71332	
	<b>3300</b>	<b>25 × 40</b>	3.07	3.75	994	334	57	33	<b>41332</b>	21332	
	<b>4700</b>	<b>30 × 40</b>	3.77	4.60	1414	474	47	30	<b>51472</b>	71472	
	4700	25 × 50	3.85	4.70	1414	474	43	27	41472	21472	
	<b>6800</b>	<b>35 × 40</b>	4.01	4.89	2044	684	49	30	<b>51682</b>	71682	
	6800	30 × 50	4.74	5.78	2044	684	38	24	41682	21682	
	<b>10000</b>	<b>35 × 50</b>	5.04	6.15	3004	1004	38	24	<b>51103</b>	71103	
63	680	22 × 25	1.17	1.43	261	90	228	150	58681	78681	
	<b>1000</b>	<b>22 × 30</b>	1.46	1.78	382	130	170	115	<b>58102</b>	78102	
	<b>1500</b>	<b>25 × 30</b>	1.76	2.15	571	193	137	85	<b>58152</b>	78152	
	1500	22 × 40	2.00	2.44	571	193	115	85	48152	28152	
	2200	30 × 30	2.27	2.77	836	281	101	70	58222	78222	
	<b>2200</b>	<b>25 × 40</b>	2.40	2.93	836	281	94	70	<b>48222</b>	28222	
	<b>3300</b>	<b>30 × 40</b>	3.07	3.75	1251	420	70	50	<b>58332</b>	78332	
	3300	25 × 50	3.07	3.75	1251	420	70	50	48332	28332	
	4700	35 × 40	3.65	4.45	1781	596	60	45	58472	78472	
	<b>4700</b>	<b>30 × 50</b>	3.88	4.73	1781	596	53	45	<b>48472</b>	28472	
	<b>6800</b>	<b>35 × 50</b>	4.58	5.59	2574	861	46	35	<b>58682</b>	78682	
100	330	22 × 25	0.92	1.12	202	70	370	250	59331	79331	
	<b>470</b>	<b>22 × 30</b>	1.14	1.39	286	98	280	190	<b>59471</b>	79471	
	<b>680</b>	<b>25 × 30</b>	1.35	1.65	412	140	232	140	<b>59681</b>	79681	
	680	22 × 40	1.57	1.92	412	140	190	140	49681	29681	
	1000	30 × 30	1.79	2.40	604	204	163	115	59102	79102	
	<b>1000</b>	<b>25 × 40</b>	1.85	2.26	604	204	158	115	<b>49102</b>	29102	
	<b>1500</b>	<b>30 × 40</b>	2.45	2.99	904	304	111	85	<b>59152</b>	79152	
	1500	25 × 50	2.38	2.90	904	304	116	85	49152	29152	
	2200	35 × 40	3.05	3.72	1324	444	86	65	59222	79222	
	<b>2200</b>	<b>30 × 50</b>	3.13	3.82	1324	444	82	65	<b>49222</b>	29222	
		<b>3300</b>	<b>35 × 50</b>	3.84	4.68	1984	664	64	50	<b>59332</b>	79332

# Aluminum electrolytic capacitors

## Power Long Life Snap-in

### 058/059 PLL-SI

**Table 3** Electrical data and ordering information for **059** series; preferred types in **bold**

U <sub>R</sub> (V)	C <sub>R</sub> 100 Hz (μF)	NOMINAL CASE SIZE ØD × L (mm)	I <sub>R</sub> 100 Hz 105 °C (A)	I <sub>L1</sub> 1 min (μA)	I <sub>L5</sub> 5 min (μA)	ESR 100 Hz (mΩ)	Z 10 kHz (mΩ)	CATALOGUE NUMBER 2222 059 .....	
								2-TERM.	3-TERM.
200	100	22 × 25	0.53	124	44	1280	730	52101	72101
	<b>150</b>	<b>22 × 30</b>	0.67	184	64	850	540	<b>52151</b>	72151
	220	22 × 35	0.86	268	92	610	430	32221	12221
	<b>220</b>	<b>25 × 30</b>	0.87	268	92	610	430	<b>52221</b>	72221
	330	30 × 30	1.12	400	136	435	300	52331	72331
	<b>330</b>	<b>25 × 40</b>	1.12	400	136	435	300	<b>42331</b>	22331
	470	30 × 35	1.46	568	192	335	225	32471	12471
	<b>470</b>	<b>25 × 50</b>	1.25	568	192	335	225	<b>42471</b>	22471
	<b>680</b>	<b>30 × 45</b>	1.87	820	276	235	155	<b>32681</b>	12681
	680	35 × 35	1.85	820	276	235	155	62681	82681
<b>1000</b>	<b>35 × 50</b>	2.45	1204	404	160	125	<b>52102</b>	72102	
250	68	22 × 25	0.49	106	38	1640	760	53689	73689
	<b>100</b>	<b>22 × 30</b>	0.62	154	54	1110	570	<b>53101</b>	73101
	150	22 × 35	0.82	229	79	795	440	33151	13151
	<b>150</b>	<b>25 × 30</b>	0.82	229	79	795	440	<b>53151</b>	73151
	<b>220</b>	<b>25 × 35</b>	1.03	334	114	540	300	<b>33221</b>	13221
	220	30 × 30	1.06	334	114	540	300	53221	73221
	330	30 × 35	1.43	499	169	385	225	33331	13331
	<b>330</b>	<b>25 × 50</b>	1.40	499	169	385	225	<b>43331</b>	23331
	<b>470</b>	<b>30 × 45</b>	1.79	709	239	270	155	<b>33471</b>	13471
	470	35 × 35	1.79	709	239	270	155	63471	83471
<b>680</b>	<b>35 × 45</b>	2.25	1024	344	190	125	<b>43681</b>	23681	
385	33	22 × 25	0.32	80	29	3860	3000	58339	78339
	<b>47</b>	<b>22 × 30</b>	0.41	113	40	2710	2100	<b>58479</b>	78479
	68	22 × 35	0.53	161	56	1870	1460	38689	18689
	<b>68</b>	<b>25 × 30</b>	0.52	161	56	1870	1460	<b>58689</b>	78689
	100	30 × 30	0.72	235	81	1270	1010	58101	78101
	<b>100</b>	<b>25 × 40</b>	0.72	235	81	1270	1010	<b>48101</b>	28101
	<b>150</b>	<b>30 × 40</b>	0.99	351	119	850	675	<b>58151</b>	78151
	150	25 × 50	0.99	351	119	850	675	48151	28151
	220	35 × 40	1.31	512	173	580	465	58221	78221
	<b>220</b>	<b>30 × 50</b>	1.31	512	173	580	465	<b>48221</b>	28221
	<b>330</b>	<b>35 × 50</b>	1.75	766	258	390	320	<b>58331</b>	78331

# Aluminum electrolytic capacitors

## Power Long Life Snap-in

### 058/059 PLL-SI

U <sub>R</sub> (V)	C <sub>R</sub> 100 Hz (μF)	NOMINAL CASE SIZE ∅D × L (mm)	I <sub>R</sub> 100 Hz 105 °C (A)	I <sub>L1</sub> 1 min (μA)	I <sub>L5</sub> 5 min (μA)	ESR 100 Hz (mΩ)	Z 10 kHz (mΩ)	CATALOGUE NUMBER 2222 059 .....	
								2-TERM.	3-TERM.
400	47	22 × 30	0.30	117	42	4260	3490	<b>56479</b>	76479
	68	22 × 35	0.38	167	58	2950	2420	36689	16689
	<b>68</b>	<b>25 × 30</b>	0.41	167	58	2950	2420	<b>56689</b>	76689
	100	30 × 30	0.55	244	84	2020	1660	56101	76101
	<b>100</b>	<b>25 × 40</b>	0.55	244	84	2020	1660	<b>46101</b>	26101
	150	30 × 35	0.68	364	124	1350	1110	36151	16151
	<b>150</b>	<b>25 × 50</b>	0.78	364	124	1350	1110	<b>46151</b>	26151
	220	35 × 40	0.94	532	180	930	760	56221	76221
	<b>220</b>	<b>30 × 50</b>	0.94	532	180	930	760	<b>46221</b>	26221
	<b>330</b>	<b>35 × 50</b>	1.25	796	260	620	510	<b>56331</b>	76331

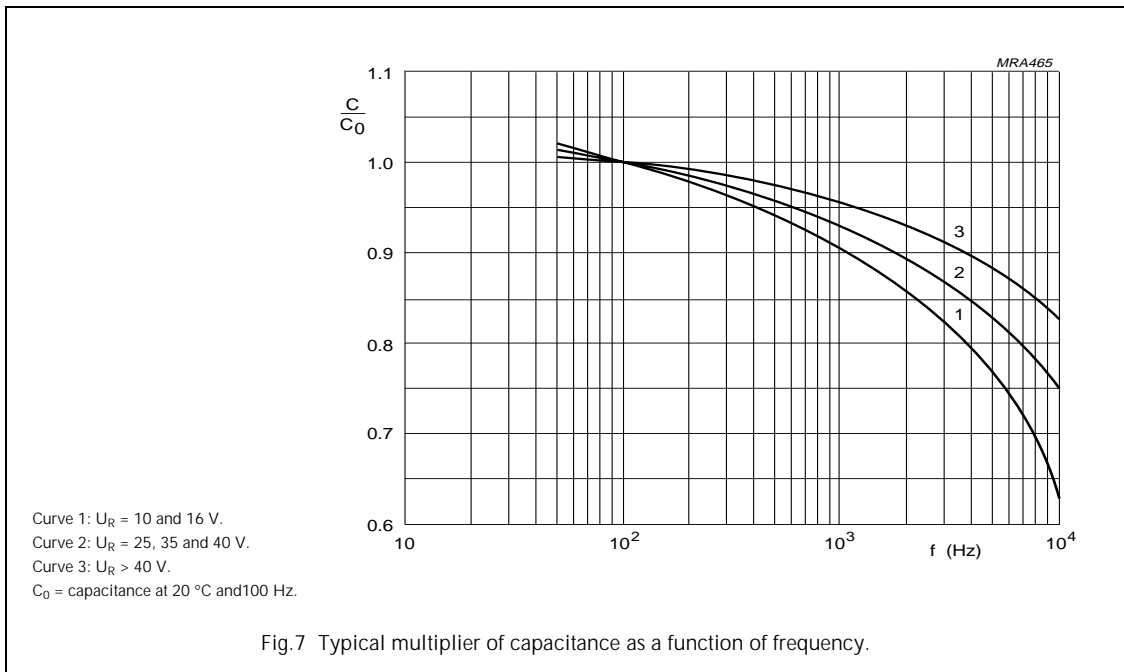
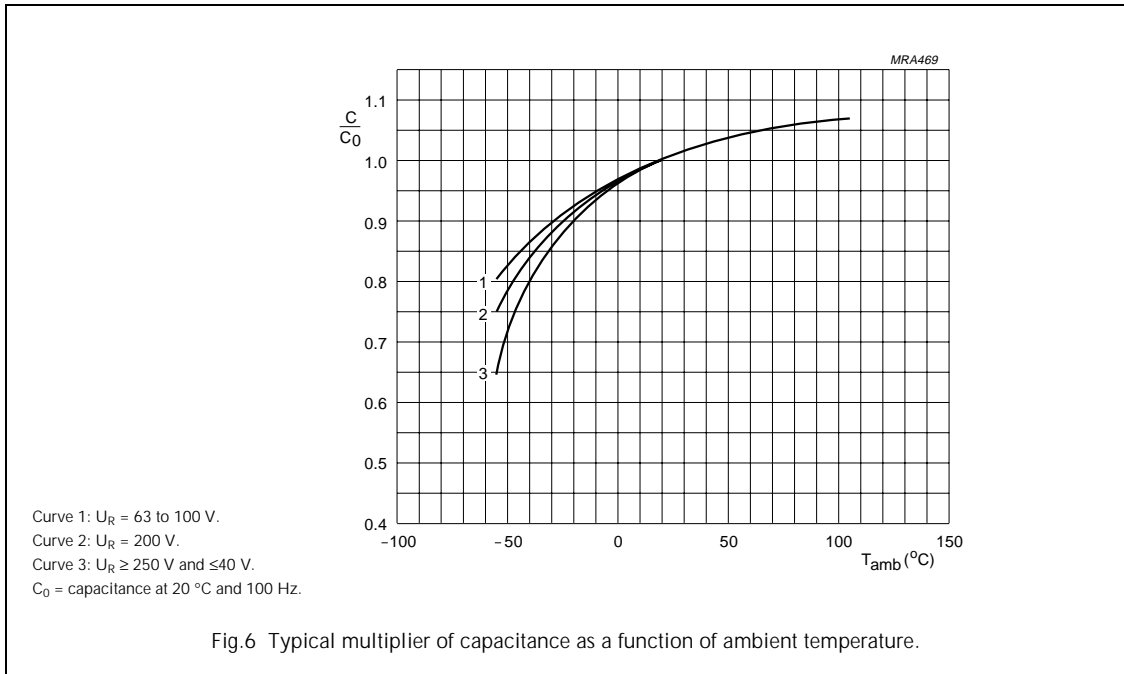
#### Additional electrical data

PARAMETER	CONDITIONS	VALUE
<b>Voltage</b>		
Surge voltage	≤250 V versions	$U_s = 1.15 \times U_R$
	≥385 V versions	$U_s = 1.1 \times U_R$
Reverse voltage		$U_{rev} \leq 1 \text{ V}$
<b>Current</b>		
Leakage current	after 1 minute at U <sub>R</sub>	$I_{L1} \leq 0.006C_R \times U_R + 4 \mu\text{A}$
	after 5 minutes at U <sub>R</sub>	$I_{L5} \leq 0.002C_R \times U_R + 4 \mu\text{A}$
<b>Inductance</b>		
Equivalent series inductance (ESL)	all case sizes	typ. 19 nH
		max. 25 nH

# Aluminum electrolytic capacitors Power Long Life Snap-in

058/059 PLL-SI

## Capacitance (C)

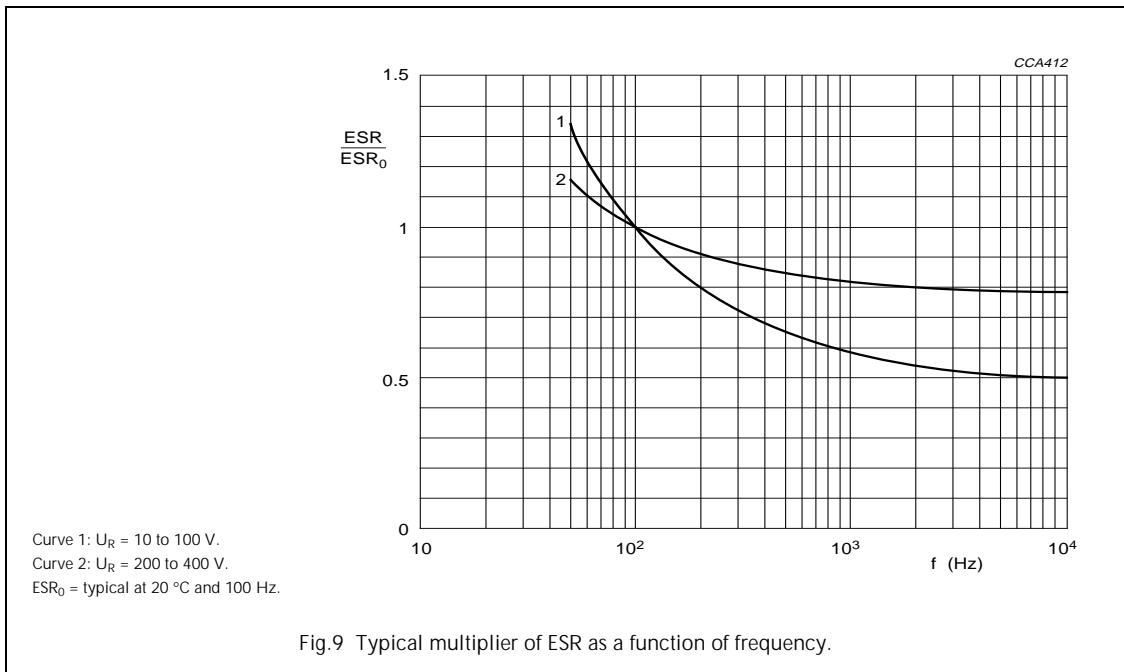
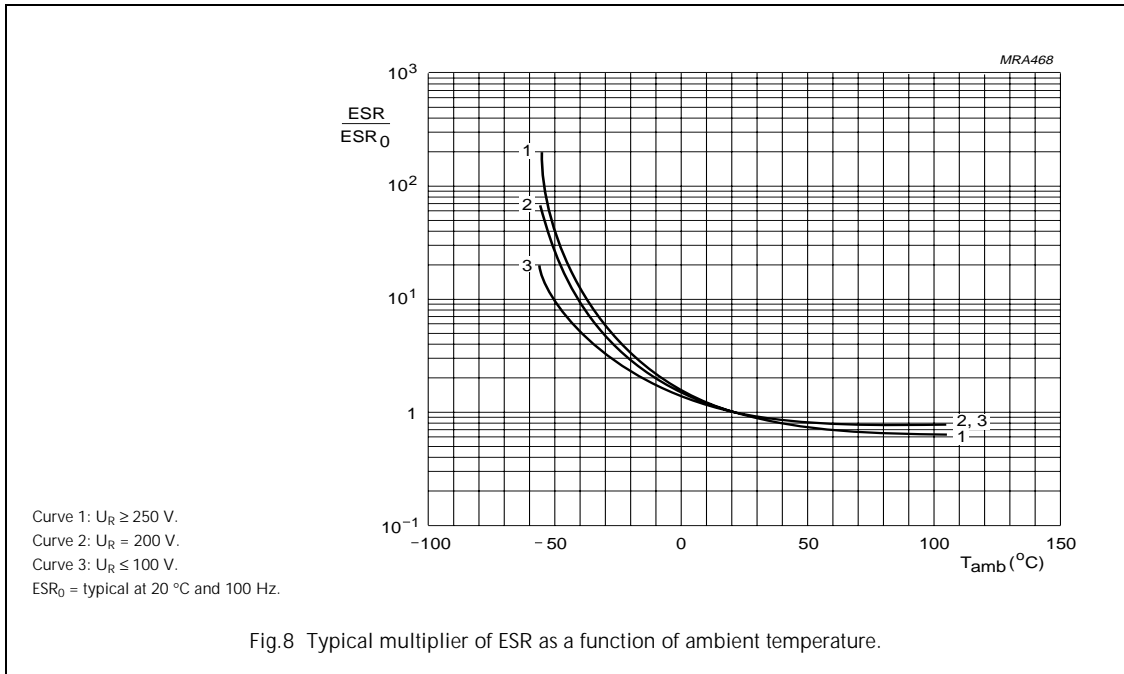


# Aluminum electrolytic capacitors

## Power Long Life Snap-in

058/059 PLL-SI

### Equivalent series resistance (ESR)

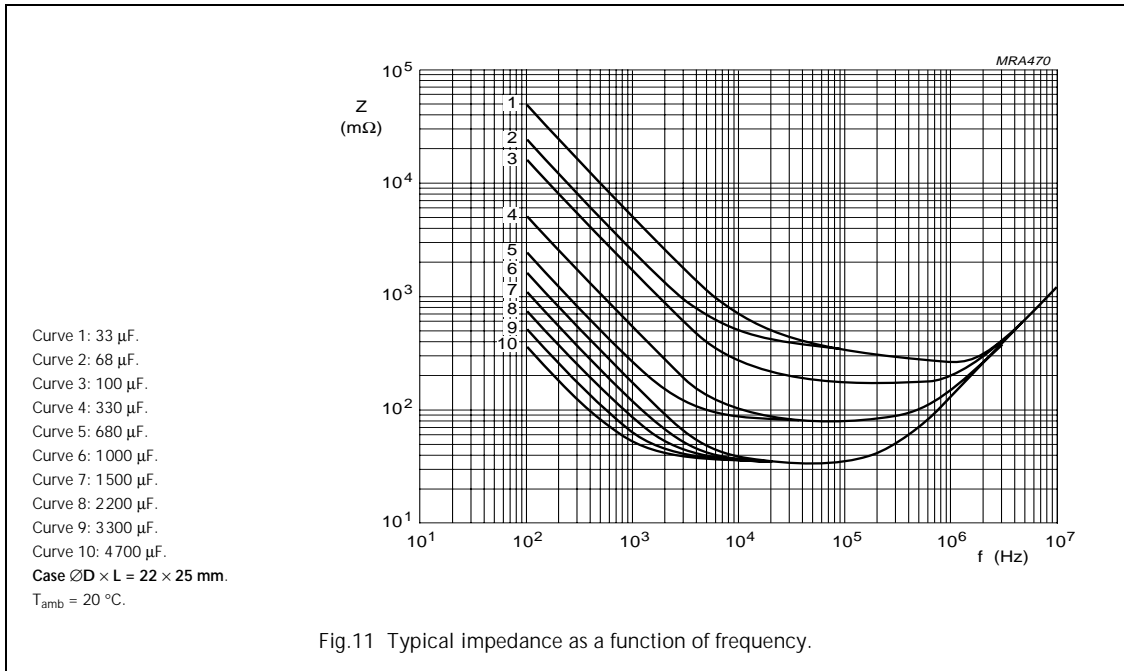
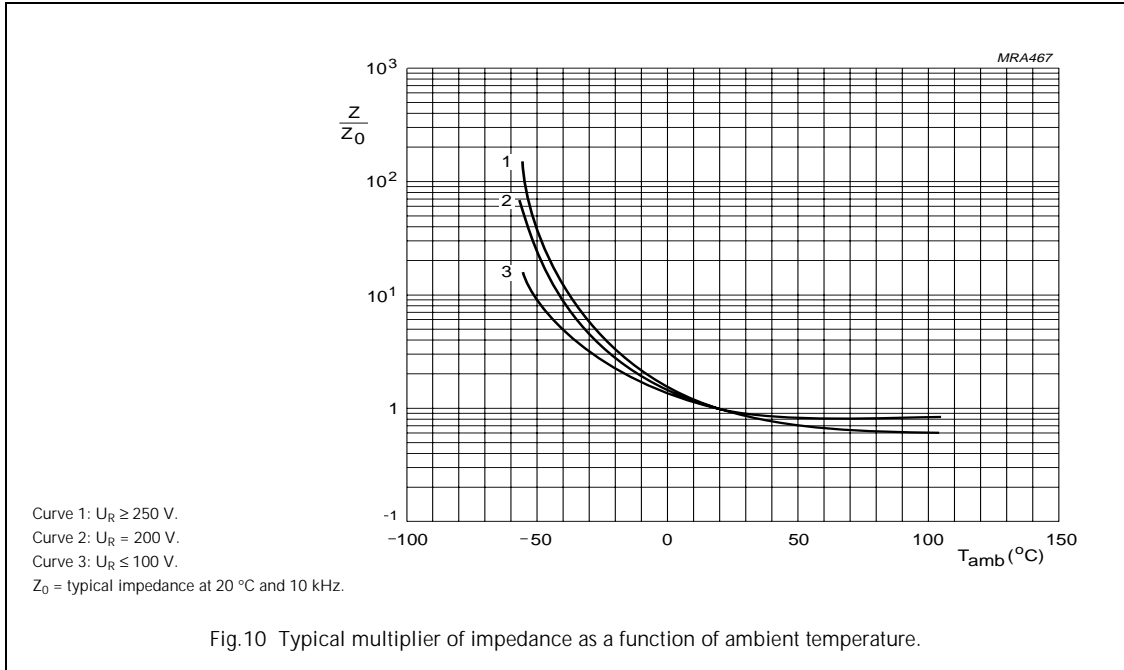


# Aluminum electrolytic capacitors

## Power Long Life Snap-in

058/059 PLL-SI

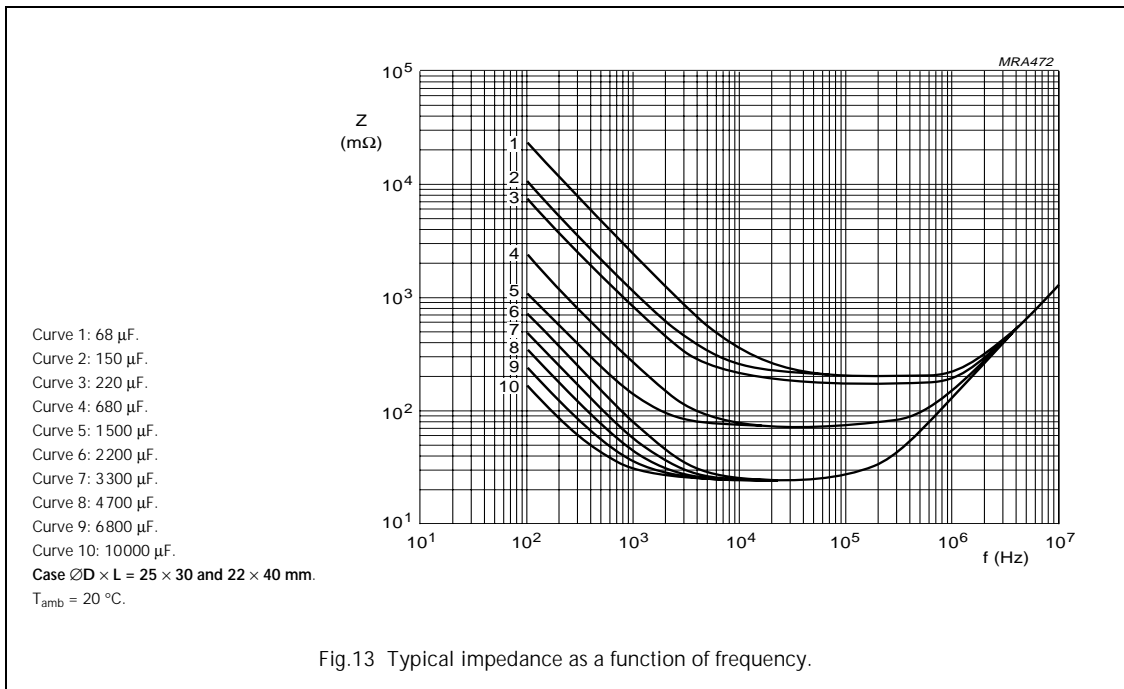
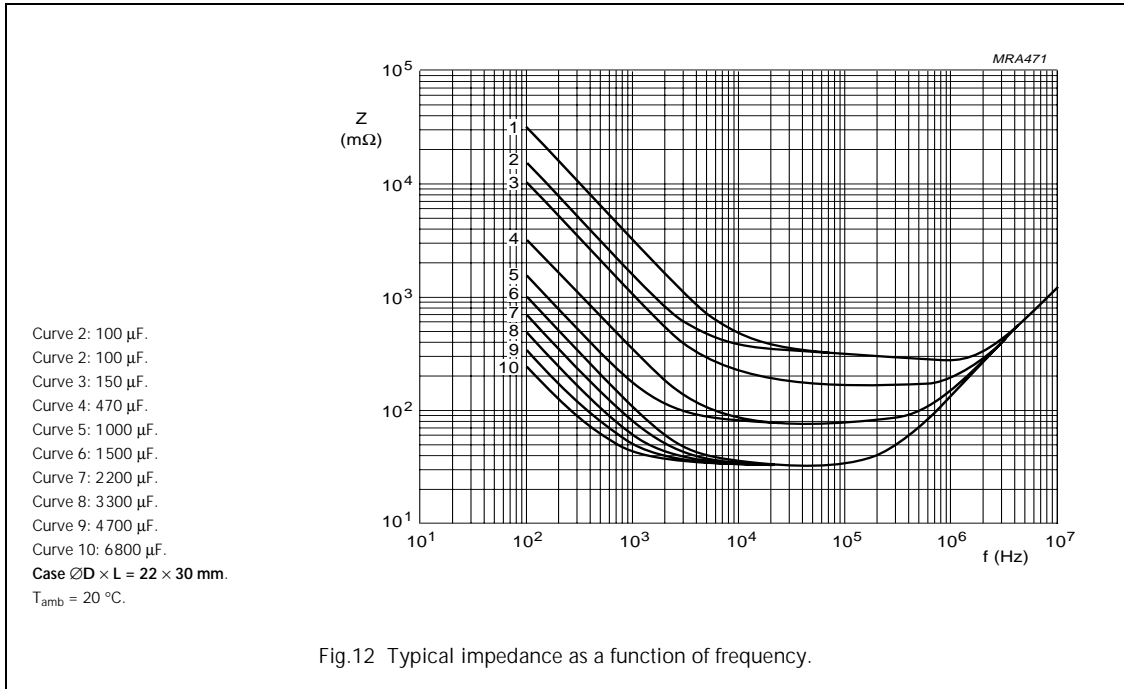
### Impedance (Z)



# Aluminum electrolytic capacitors

## Power Long Life Snap-in

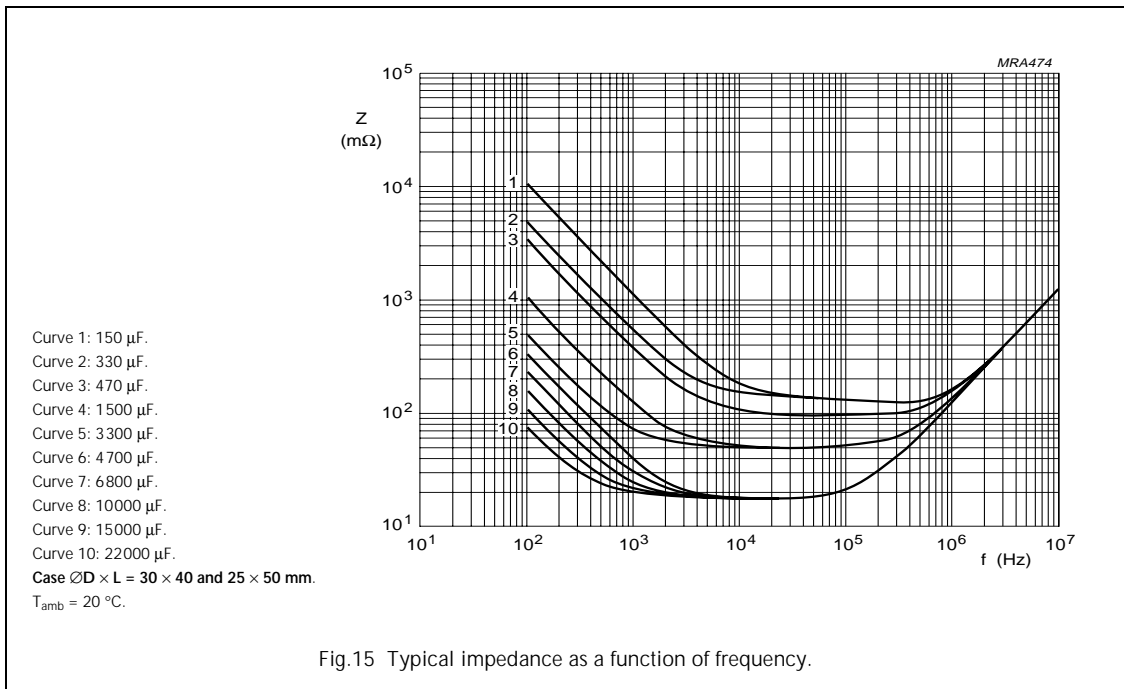
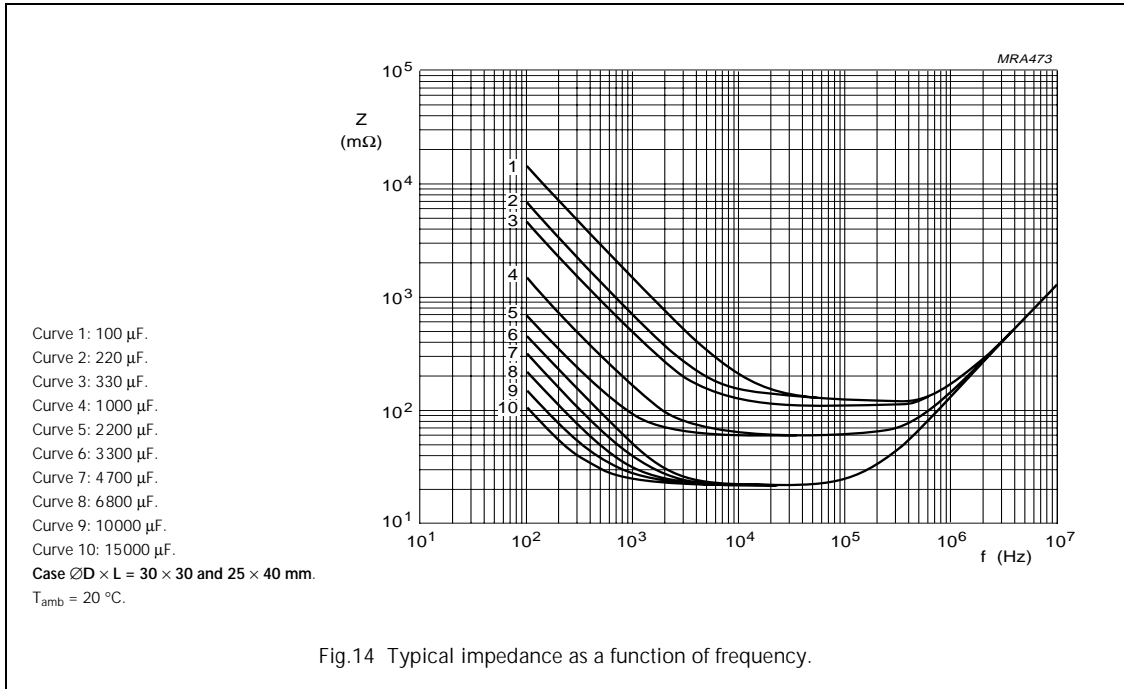
058/059 PLL-SI



# Aluminum electrolytic capacitors

## Power Long Life Snap-in

058/059 PLL-SI

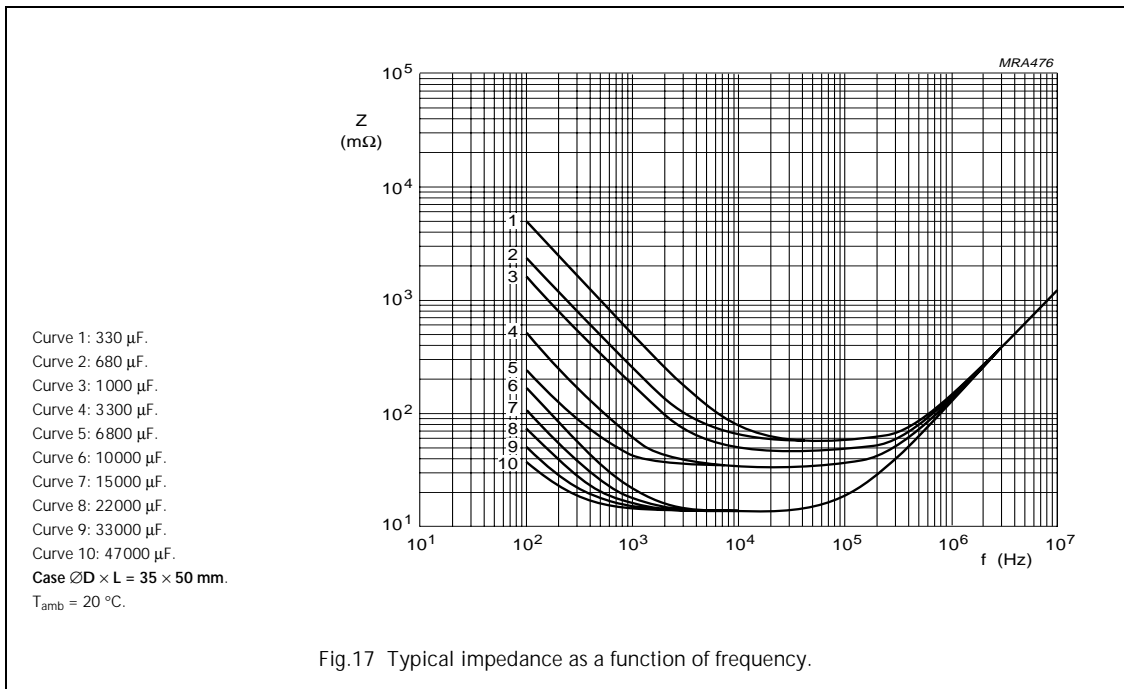
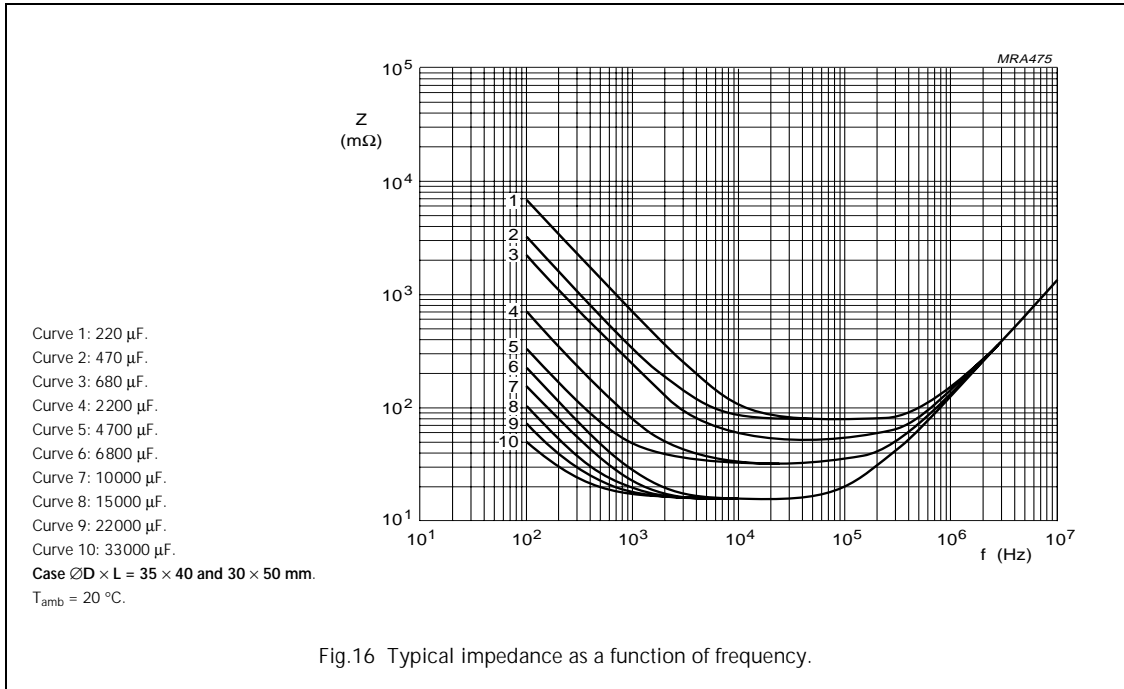




# Aluminum electrolytic capacitors

## Power Long Life Snap-in

058/059 PLL-SI



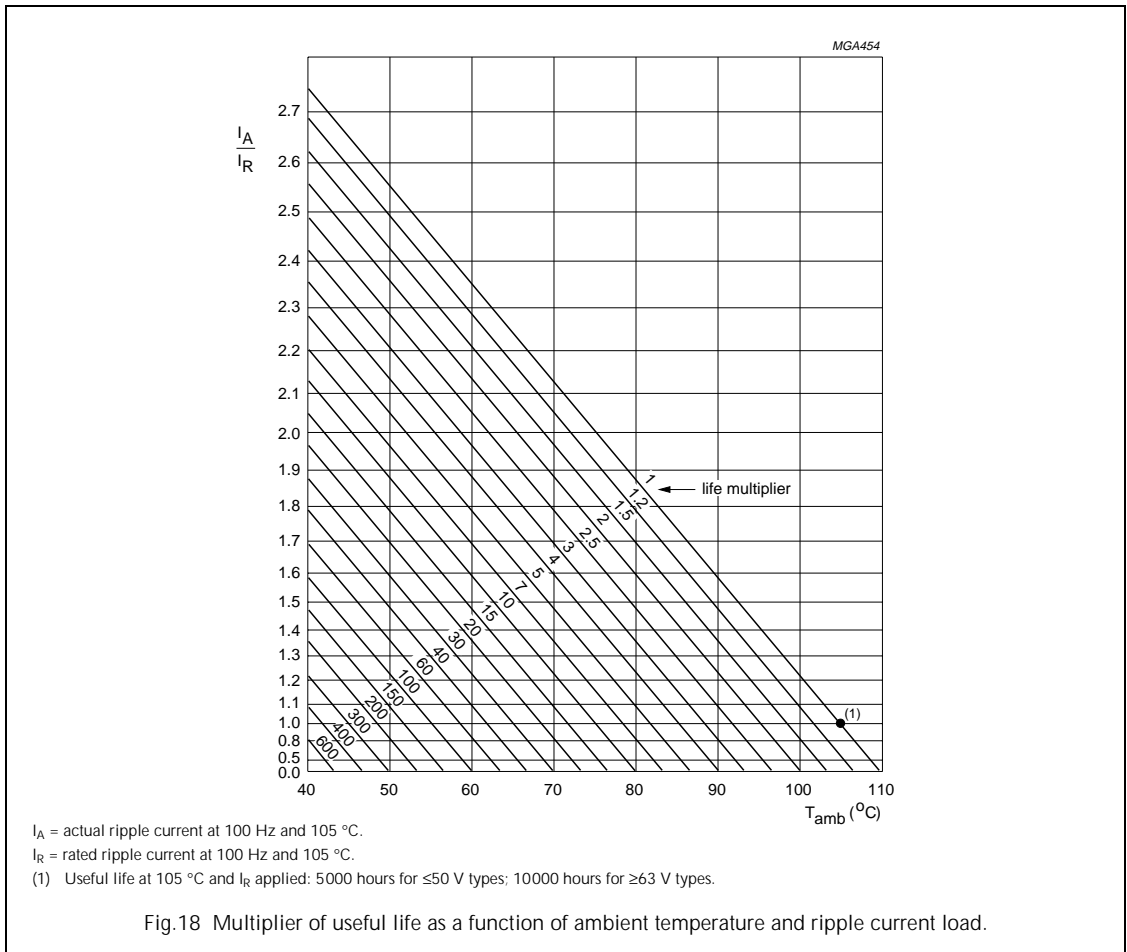
# Aluminum electrolytic capacitors Power Long Life Snap-in

058/059 PLL-SI

## RIPPLE CURRENT AND USEFUL LIFE

**Table 4** Multiplier of ripple current ( $I_R$ ) as a function of frequency

FREQUENCY (Hz)	$I_R$ MULTIPLIER		
	$U_R = 10$ to $25$ V	$U_R = 40$ to $100$ V	$U_R > 100$ V
50	0.93	0.91	0.86
100	1.00	1.00	1.00
200	1.04	1.05	1.13
400	1.07	1.09	1.21
1000	1.11	1.13	1.29
2000	1.13	1.15	1.32
4000	1.15	1.18	1.35
$\geq 10000$	1.18	1.22	1.40



# Aluminum electrolytic capacitors

## Power Long Life Snap-in

**058/059 PLL-SI**
**SPECIFIC TESTS AND REQUIREMENTS**

General tests and requirements are specified in this handbook, section "Tests and Requirements".

**Table 5** Test procedures and requirements

TEST		PROCEDURE (quick reference)	REQUIREMENTS
NAME OF TEST	REFERENCE		
Endurance	IEC 60384-4/ EN130300 subclause 4.13	$T_{amb} = 105\text{ }^{\circ}\text{C}$ ; $U_R$ applied; $\leq 50\text{ V}$ types: 2000 hours; $\geq 63\text{ V}$ types: 5000 hours	$U_R \leq 100\text{ V}$ ; $\Delta C/C$ : $\pm 15\%$ $U_R > 100\text{ V}$ ; $\Delta C/C$ : $\pm 10\%$ $ESR \leq 1.3 \times \text{spec. limit}$ $Z \leq 2 \times \text{spec. limit}$ $I_{L5} \leq \text{spec. limit}$
Useful life	CECC 30301 subclause 1.8.1	$T_{amb} = 105\text{ }^{\circ}\text{C}$ ; $U_R$ and $I_R$ applied; $\leq 50\text{ V}$ types: 5000 hours; $\geq 63\text{ V}$ types: 10000 hours	$U_R \leq 100\text{ V}$ ; $\Delta C/C$ : $\pm 45\%$ $U_R > 100\text{ V}$ ; $\Delta C/C$ : $\pm 30\%$ $ESR \leq 3 \times \text{spec. limit}$ $Z \leq 3 \times \text{spec. limit}$ $I_{L5} \leq \text{spec. limit}$ no short or open circuit, no visible damage total failure percentage: $U_R \leq 100\text{ V}$ : $\leq 1\%$ ; $U_R > 100\text{ V}$ : $\leq 3\%$
Shelf life (storage at high temperature)	IEC 60384-4/ EN130300 subclause 4.17	$T_{amb} = 105\text{ }^{\circ}\text{C}$ ; no voltage applied; 500 hours  after test: $U_R$ to be applied for 30 minutes, 24 to 48 hours before measurement	$\Delta C/C$ : $\pm 10\%$ $ESR \leq 1.2 \times \text{spec. limit}$ $I_{L5} \leq 2 \times \text{spec. limit}$