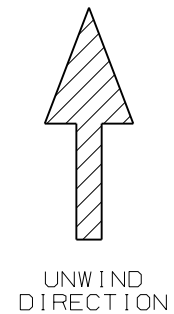
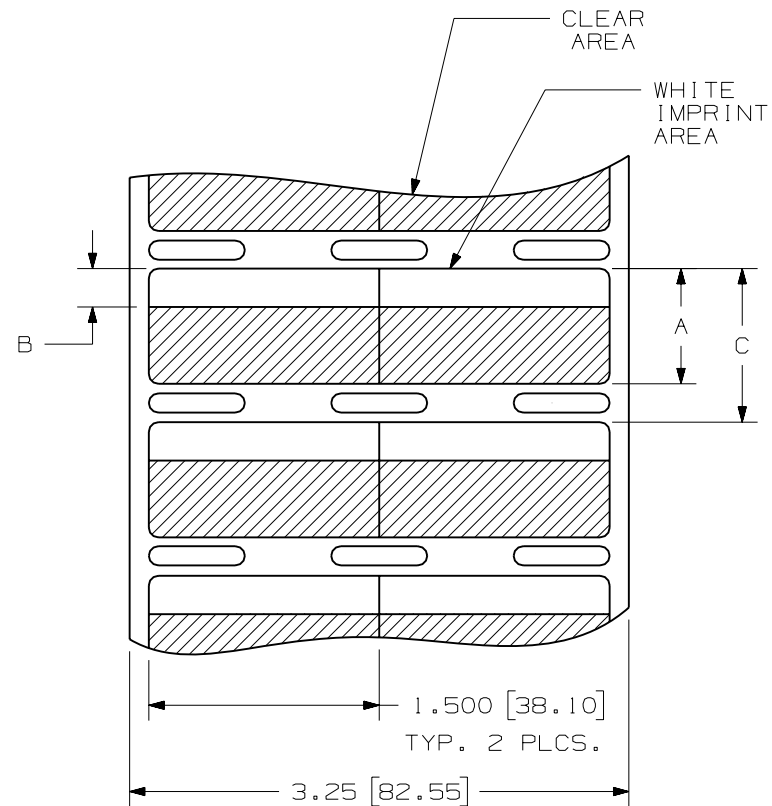


THIS COPY IS PROVIDED ON A RESTRICTED BASIS AND IS NOT TO BE USED IN ANY WAY DETRIMENTAL TO THE INTERESTS OF PANDUIT CORP.

PART NUMBER	MATERIAL	A HEIGHT	IMPRINT AREA B	VERTICAL REPEAT C	LABELS PER ROW	STANDARD PKG. QTY.
S150X150VATY	GMV	1.500 [38.1]	0.50 +/- .031 [12.7]	1.750 [44.45]	2	5000
S150X225VATY	GMV	2.250 [57.2]	0.75 +/- .031 [19.1]	2.500 [63.5]	2	5000
S150X400VATY	GMV	4.000 [101.6]	1.00 +/- .031 [25.4]	4.250 [114.3]	2	5000



NOTE:
1. SEE MFG. DRAWING NO. A61392.

REV	DATE	BY	CHK	DESCRIPTION	ECN	R	CUST	SUP
0	8-4-06	RVU		DRAWING RELEASE.	4620	R		

CAD FILENAME/LAYERS 100472MV_C10438_S150XxxxVATY_00.prt	
PANDUIT CORP TINLEY PARK, ILLINOIS CUSTOMER DRAWING OPTIMUM SELF-LAM. S150X***VATY THERMAL TRANSFER PRINTABLE LABELS	
UNLESS OTHERWISE SPECIFIED, DIMENSIONAL TOLERANCES ARE: (.X) ± .031 (.XXX) ± .005 (.XX) ± .015 ANGLES ±	UNLESS OTHERWISE SPECIFIED, ALL DIMENSIONS ARE GIVEN IN INCHES, THIRD ANGLE PROJECTION
DRAWN BY RVU	MAT'L: SEE TABLE
DATE 8-4-06	SCALE NTS
CHK'D	DRAWING NO. C10438
	DWG B SIZE