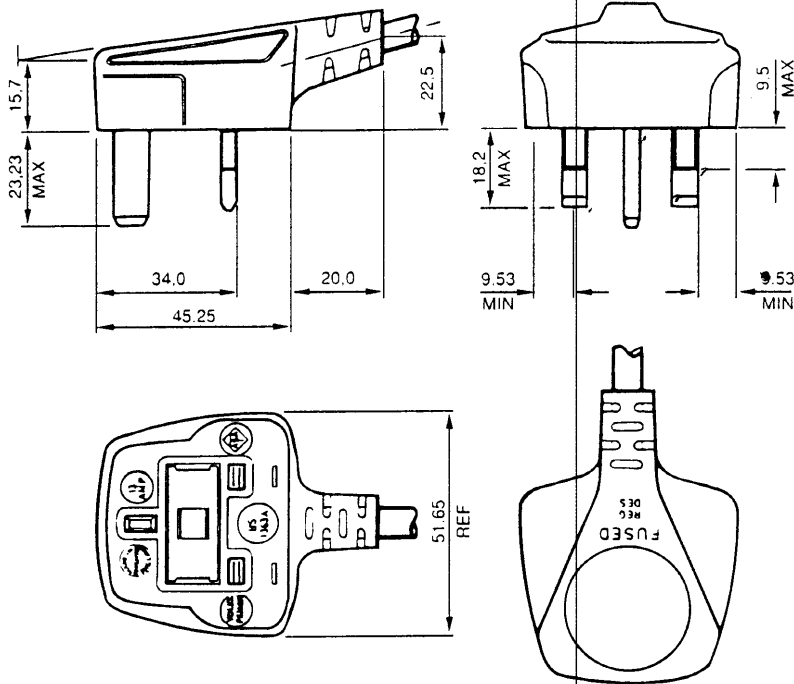
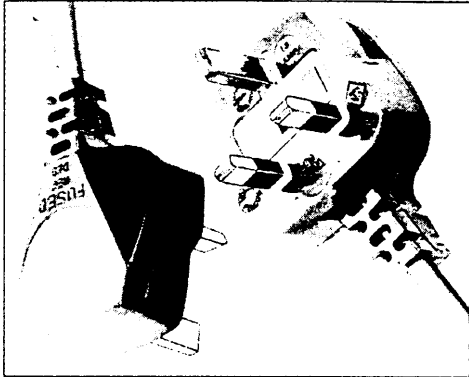


DIMENSIONS IN MM

235-626/640/638



**13 AMP 250V
3 PIN FUSED PLUG.
TYPE No. UD13AI**



PRODUCT SPECIFICATION

Specification	BS1363A.
Operating Voltage	250V. a.c.
Current Rating	13A.
Insulation Resistance	>10 M ohms
Cable Retention	0.5mm ² -1.00mm ² >30N 1.25mm ² -1.5mm ² >60N
Outside Body	P.V.C.
Terminals	Brass (Solid)
Flexible Cords	See Appendix
Fuse	To suit appliance rating

TEST SPECIFICATION

Each plug is 100% tested to the following:

Earth Continuity	25A
Polarity	
Insulation Resistance L-N	500V. d.c.
Electrical Strength L-N	2.4kV. 50Hz.
Insulation Resistance L-N-E	500V. d.c.
Electrical Strength L-N-E	2.4kV. 50Hz.
Safety Test	4-4kV. 50Hz.

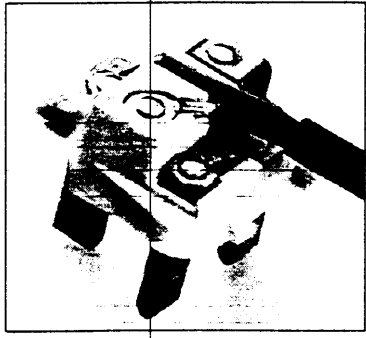
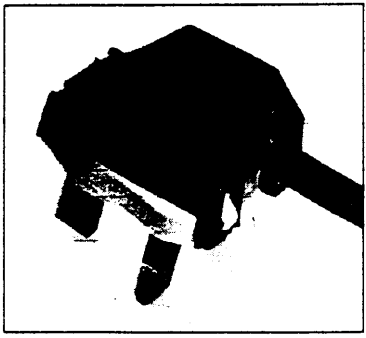
13 AMP 250V 3 PIN FUSED PLUG

The Pencon integrally moulded 13 Amp mains plug is available with a wide range of supply cords which are pre-prepared for fitting to electrical appliances.

Featuring double insulation the plug has all wire connections crimped on specialised semi-automatic equipment to ensure consistent safety and reliability.

The plug is supplied with solid brass semi-insulated pins (Type No. UD 13AI) as illustrated. Each plug undergoes seven electrical tests to ensure correct continuity, polarity and electrical safety.

Pencon 13 Amp moulded plugs have been independently tested and approved by ASTA Certification Services to BS 1363A.



The Manufacturers reserve the right to alter specifications without notice.



A division of the Volex Group p.l.c.