

5

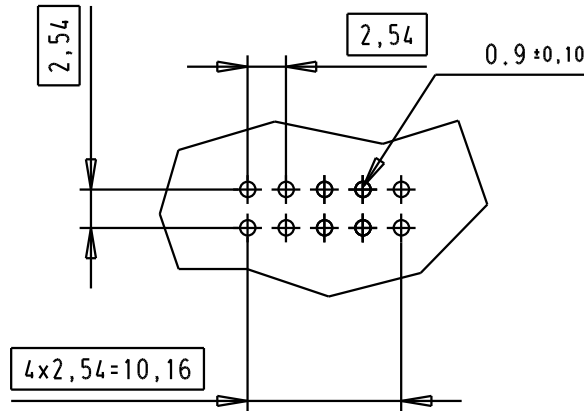
4

3

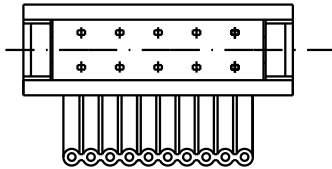
2

1

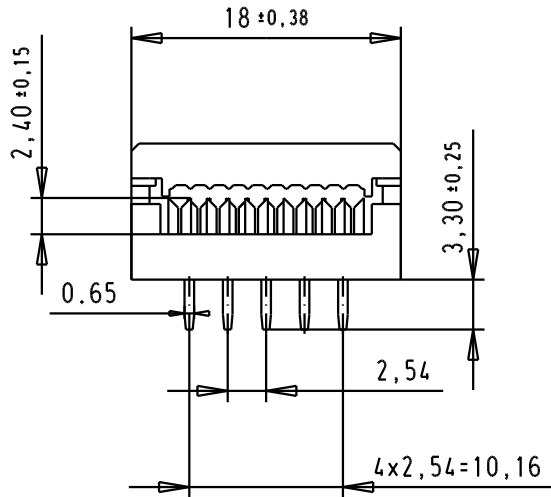
Printed board layout, component side



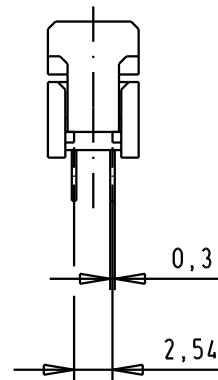
harnessed



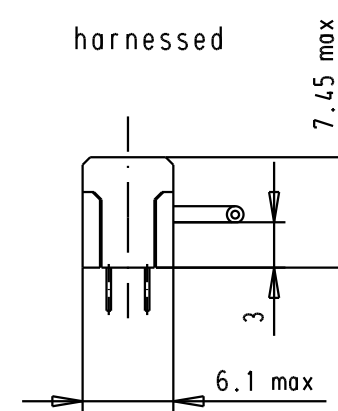
pre assembled



pre assembled



harnessed



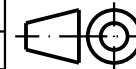
A

B

C

D

				Dat.	Name
			Detail.	03.02.92	BP
			Insp.		
32151	01/09/04	TR	Stand.		
31575	26-NOV-03	SH			
26573	10-02-00	PP			
Mod.	Dat.	Name			
			HARTING EURL F-95972 Paris		



All Dim. in mm
Orig. Size DIN A 4

SEK 18, P.C.B Transition
10 poles connector
2 rows

Maßstab/
Scale

2:1



TB 09181109621

Blatt/ Page

1/1

09 18 110 9621.200

NON-ASSEMBLED

09 18 110 9621

PRE-ASSEMBLED

Part Number

Cover

Sub.