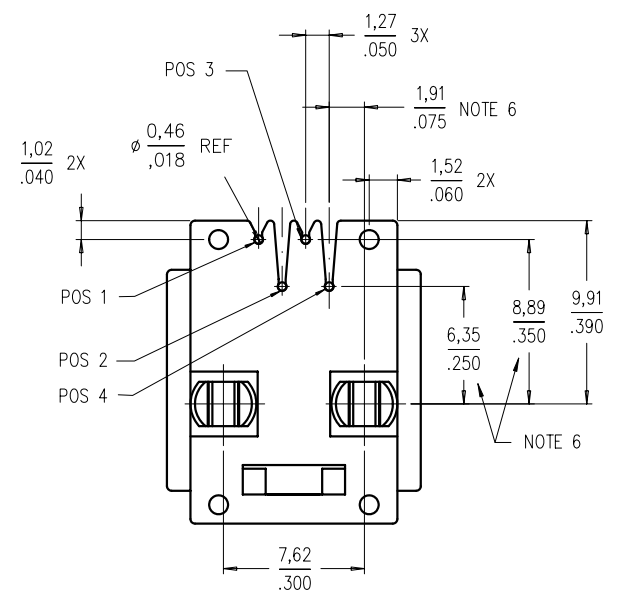
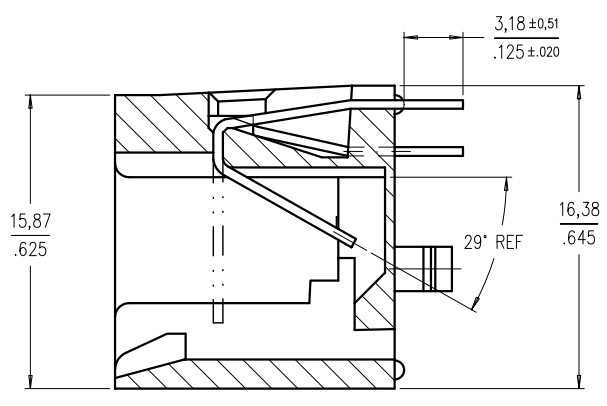
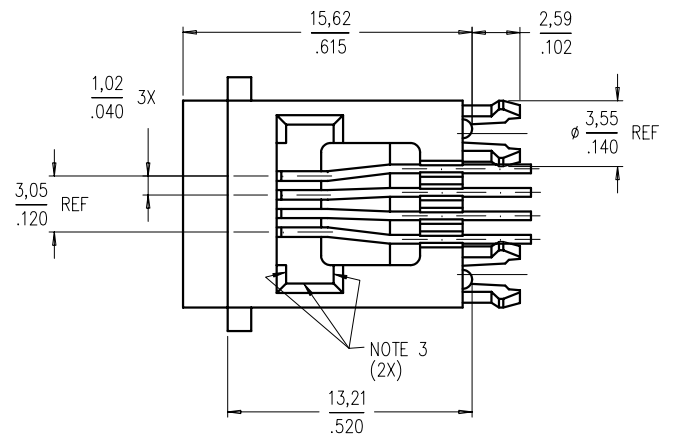
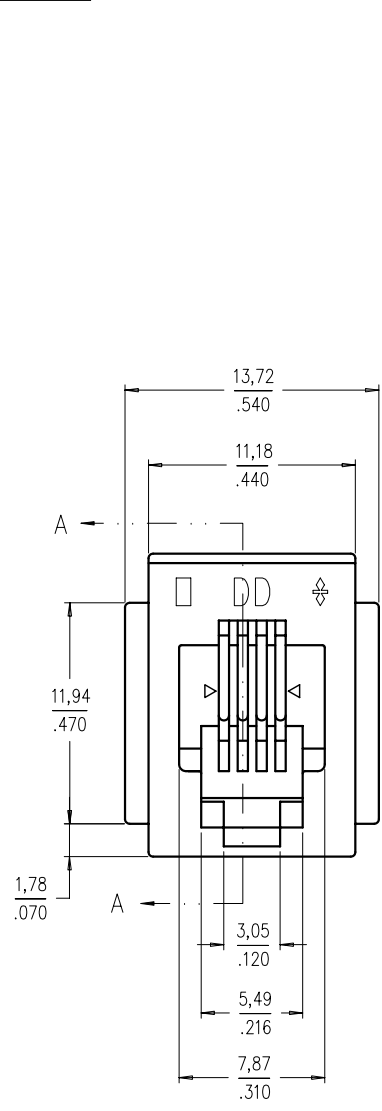


Tous droits strictement réservés. Reproduction ou communication à des tiers interdite sous quelque forme que ce soit sans autorisation écrite du propriétaire. Propriété de ©FCI ELECTRONICS. Droits de reproduction FCI ELECTRONICS INC.

All rights strictly reserved. Reproduction or issue to third parties in any form whatever is not permitted without written authority from the proprietor. Property of ©FCI ELECTRONICS. Copyright FCI ELECTRONICS INC.

PRODUCT NO.
SEE TABLE



SECTION A-A

matl. code				tolerances unless otherwise specified				CUSTOMER COPY		FCI	
ltr	ecr no	dr	date	.X.X0.3 / X.XX.X.01				projection		title	
G	S50058	E.CHAN	03/28/'95	linear .XX±0.13 / X.XXX±.005				4 POS VERT. SNAP PEG		P.C.B. III MOD JACK ASSY	
H	V61355	BC LOH	10/02/'96	.XXX±0.051 / X.XXXX±.0020				3:1		product family MOD JACK	
J	V61824	LW	01/09/'97	angles $\sigma \pm 2'0''$				A3		code	
K	S00022	BC LOH	01/26/'00	dr				YS.DING 11/23/'04		size	
L	N04-0102	YS	11/23/'04	enr				YS.DING 11/23/'04		dwg no	
				chr				YS.DING 11/23/'04		90511	
				appd				JASON.ZHOU 11/23/'04		sheet 1 of 2	
sheet index	revision sheet	L	L								
		1	2								

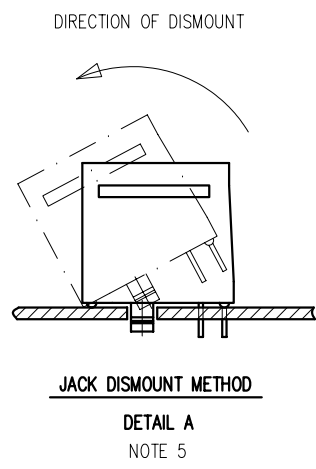
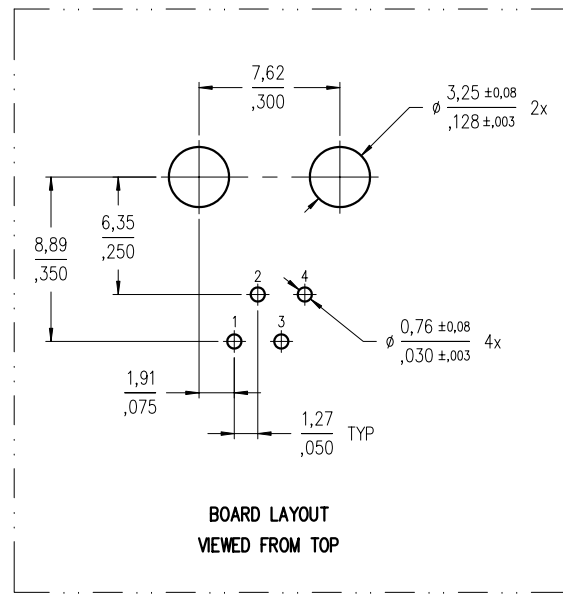
Tous droits strictement réservés. Reproduction ou communication à des tiers interdite sous quelque forme que ce soit sans autorisation écrite du propriétaire. Propriété de ©FCI ELECTRONICS. FCI

All rights strictly reserved. Reproduction or issue to third parties in any form whatever is not permitted without written authority from the proprietor. Property of ©FCI ELECTRONICS. FCI

PRODUCT NO.	POSITIONS LOADED	CONTACT PLATING	NOTES
90511-001 -001LF	ALL	GXT	BLACK
-002 -002LF	ALL	30u" / ,76u Au	BLACK
-003 -003LF	ALL	GXT	GREY
-004 -004LF	ALL	30u" / ,76u Au	GREY
-005 -005LF	ALL	50u" / 1,27u Au	BLACK

PRODUCT NO.	POSITIONS LOADED	CONTACT PLATING	REMARKS
90511-101	ALL	GXT	NOT TOOLED
-102	ALL	30u" / ,76u Au	NOT TOOLED

LEAD FREE PRODUCT NO.



NOTES :

- P/N WITH DASH 0XX -NORMAL WAVE SOLDERING APPLICATION. P/N WITH DASH 1XX -1R REFLOW APPLICATION (NOT TOOLED).
- PACKAGING SPEC. BUS-14-164.
- SCRATCH MARKS ACCEPTABLE ON THESE SURFACES.
- JACK IS FOR 1,57/,062 THICK PCB.
- SHOULD THE JACK NEED TO BE DISMOUNTED FROM THE PCB, PLS REMOVE JACK AS PER RECOMMENDED METHOD HEREIN. (DETAIL A) NIPPING THE LEGS OF THE PEG TOGETHER IS DISALLOWED, OTHERWISE LEG BREAKAGE MAY OCCUR.
- THESE DIMENSIONS ARE TAKEN FROM THE TOP OF THE PEG.
- GXT IS 0,76um / 30u" MIN GXT WITH Au FLASH OVER 1,27 um / 50u" MIN Ni.
- THIS PRODUCT MEETS EUROPEAN UNION DIRECTIVES AND OTHER COUNTRY REGULATIONS AS DESCRIBED IN GS-22-009
- THE HOUSING WILL WITHSTAND EXPOSURE TO 260°C PEAK TEMPERATURE FOR 10 SECONDS IN A WAVE SOLDER APPLICATION WITH A 1.57mm MINIMUM THICK CIRCUIT BOARD
- IF LF P/N PACKAGING MEETS GS-14-920 SPECIFICATION

mat'l. code		tolerances unless otherwise specified		CUSTOMER COPY		FCI www.fciconnect.com	
ltr	ecr no	dr	date	linear	projection	title 4 POS VERT. SNAP PEG P.C.B. III MOD JACK ASSY	
						product family MOD JACK	
						code -	
						sheet 2 of	
						size A3	
						scale 3:1	
						90511	
sheet index	revision sheet					Printed: 26 Oct 2005	