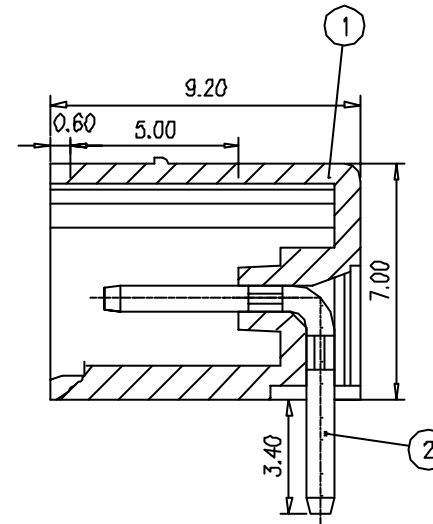
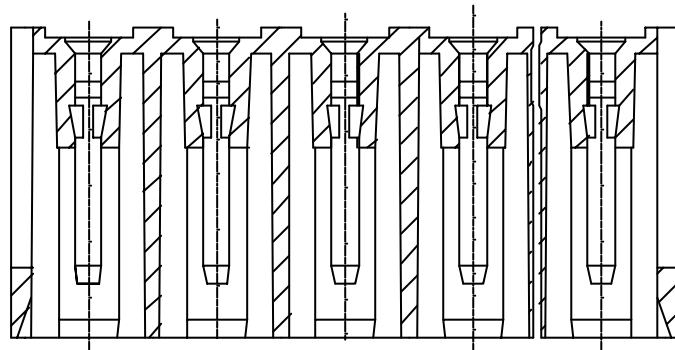


P.C.B. LAYOUT

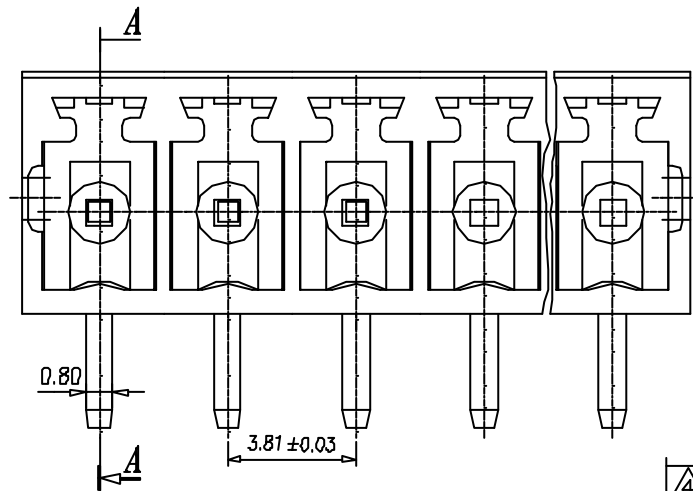
NOTES:

1. Rating: ~~488~~V BA
PITCH: 3.81 mm
2. Insulation Withstands Voltage:
AC 1000 V/MIN
3. Insulation Resistance:
1000M Ω or more at DC500V
4. Using Temperature Range:
-40°C ~ +130°C
5. Suitable Electric Wire: AWG 22-16
6. Undimensioned Tolerances:

-	∧	∇	0.05/0
⊥	//	≡	0.2/10
PITCH ERROR			0.05/0
UNDIMENSIONED TOLERANCES			±0.3



SECTION A-A



2	SOLDER PIN	0070B00200	P	COPPER	TIN PLATED
1	HOUSING	0070MQ000D	1	PBT	GREEN
ITEM	NAME OF PART	NO. OF PART	Q'TY	MATERIAL	NOTES
DWG.	-	DATE	99,01,28	UNITS	MM SHEET/OF 1/1
SCALE	6:1 (:)				⊕
NAME	21.155MH				
DWG NO.					

④	工程變更	YFY	02.11.19	CHK.	DATE
③	工程變更	XJIANG	01.01.03	APP.	DATE
②	修改 P 間壁厚	周 煒	99,9,1		
REV.	CONTENT	CHK.	DATE		

