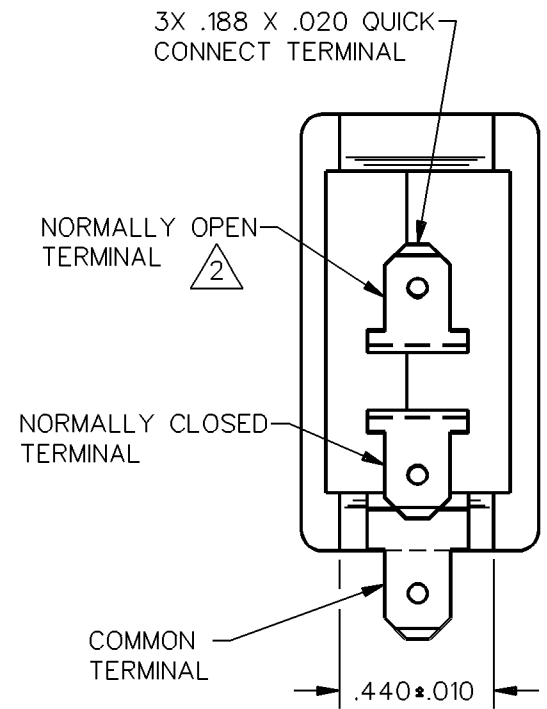
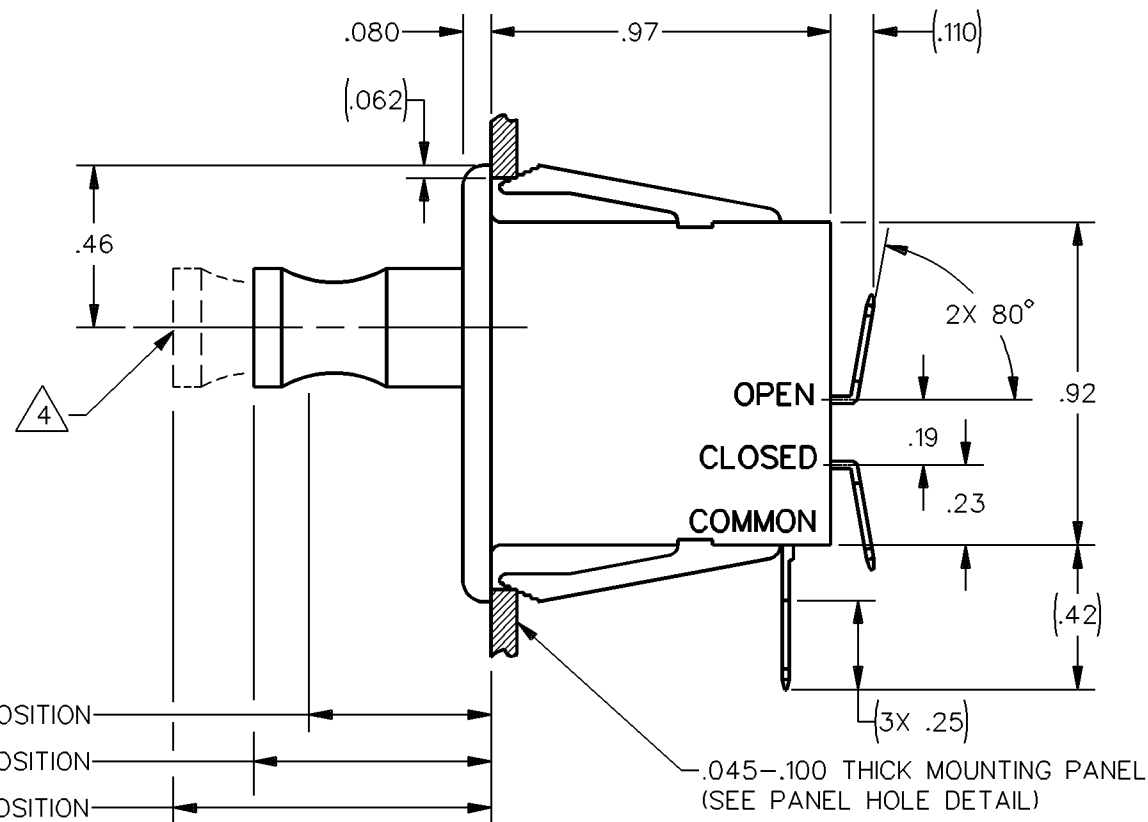
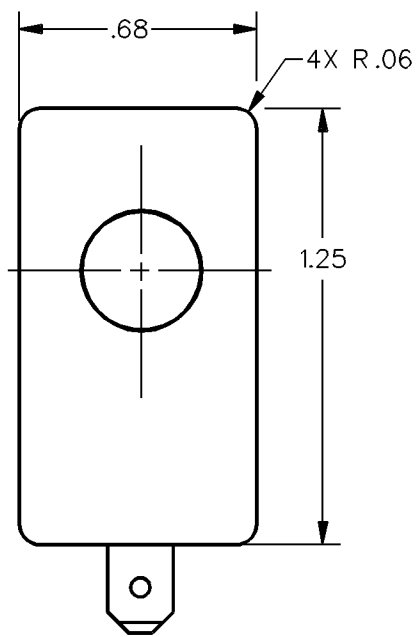
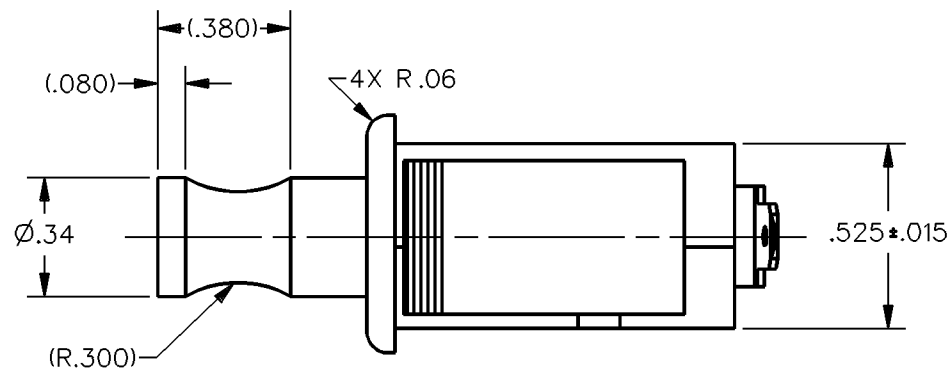
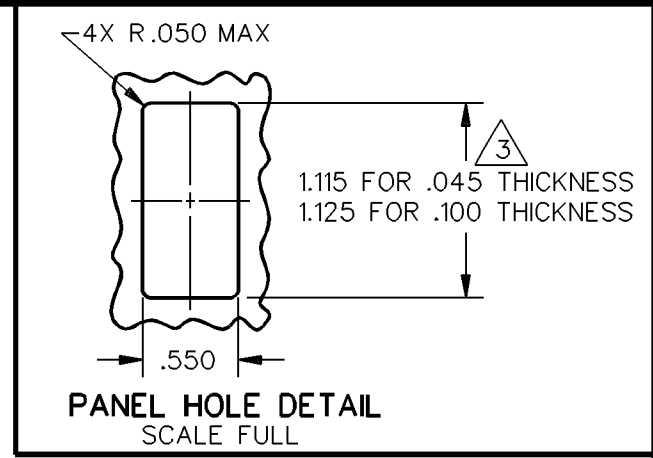


**MICRO SWITCH**  
a Honeywell Division

FED. MFG. CODE 91929

SWITCH - BASIC

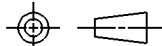
CATALOG LISTING  
1DM401



.520 MAX FULL OVERTRAVEL POSITION  
.700 ± .030 FREE POSITION  
.930 MAX EXTENDED POSITION

THIS DRAWING COVERS A PROPRIETARY ITEM AND IS THE PROPERTY OF MICRO SWITCH, A DIVISION OF HONEYWELL. THIS DRAWING IS NOT TO BE COPIED OR USED WITHOUT THE APPROVAL OF MICRO SWITCH

THIRD ANGLE PROJECTION



SCALE 2 TO 1

DO NOT SCALE PRINT

UNLESS OTHERWISE SPECIFIED TOLERANCES ARE

ONE PLACE	(.0)	± .030
TWO PLACE	(.00)	± .015
THREE PLACE	(.000)	± .005
ANGLES		± 5°

WEIGHT

NOTES

- 1 - WHITE PLASTIC CASE AND PLUNGER
- $\triangle 2$  FLAG STYLE QUICK CONNECT RECEPTACLE REQUIRED FOR NORMALLY OPEN TERMINAL IF SWITCH IS WIRED BEFORE MOUNTING
- $\triangle 3$  NOMINAL CUTOUT DIMENSION FOR PANELS BETWEEN .045 AND .100 SHOULD BE INTERPOLATED BETWEEN 1.115 AND 1.125
- $\triangle 4$  PUSH TO OPERATE - MOMENTARY, PULL TO OPERATE - MAINTAINED

ANSI Y14.5M-1982 APPLIES

CATALOG LISTING 1DM401  
 ISSUE 5  
 REVISIONS  
 A CO-72328  
 DHD 20 JUL 92  
 CHECK  
 CHECK  
 DDM/CAD DRAWN  
 DHD 20 JUL 92  
 CHECK  
 REPLACES PR-931  
 RELEASE NO.

**CHARACTERISTICS**

OPERATING FORCE - - - - - 15 OZ MAX

**ELECTRICAL DATA**

CONTACT ARRANGEMENT  
S P D T

L181  
10A 1/2HP 125, 250 OR 277 VAC

