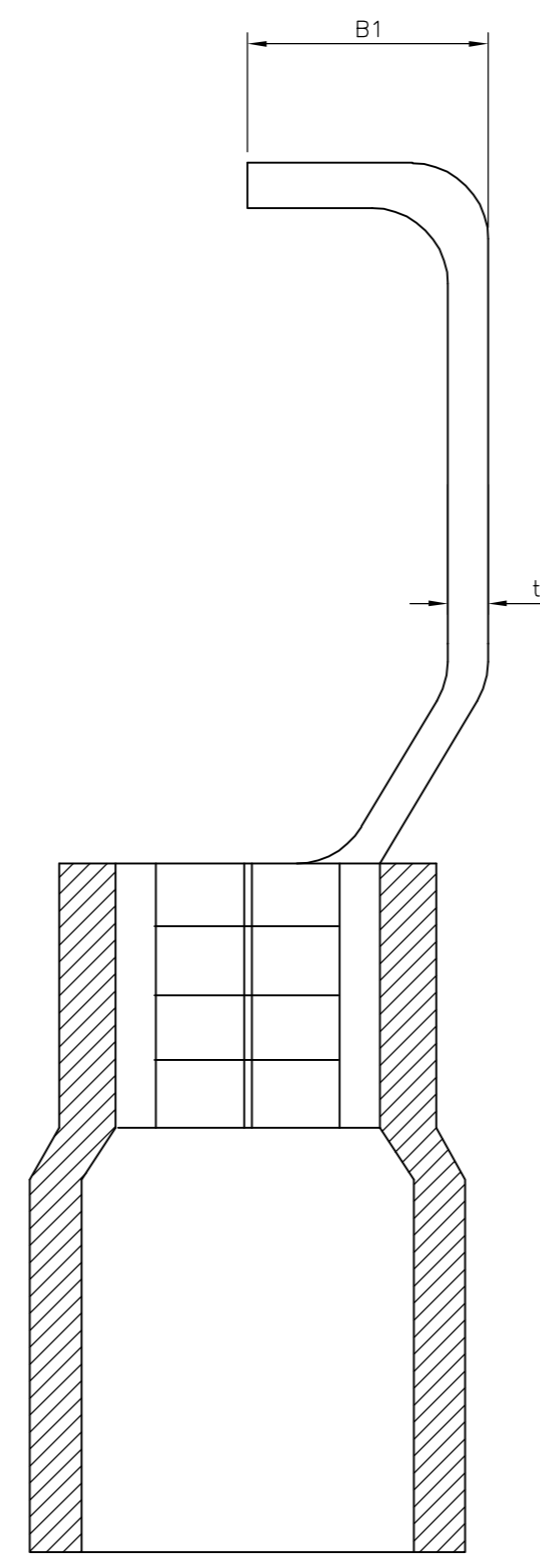
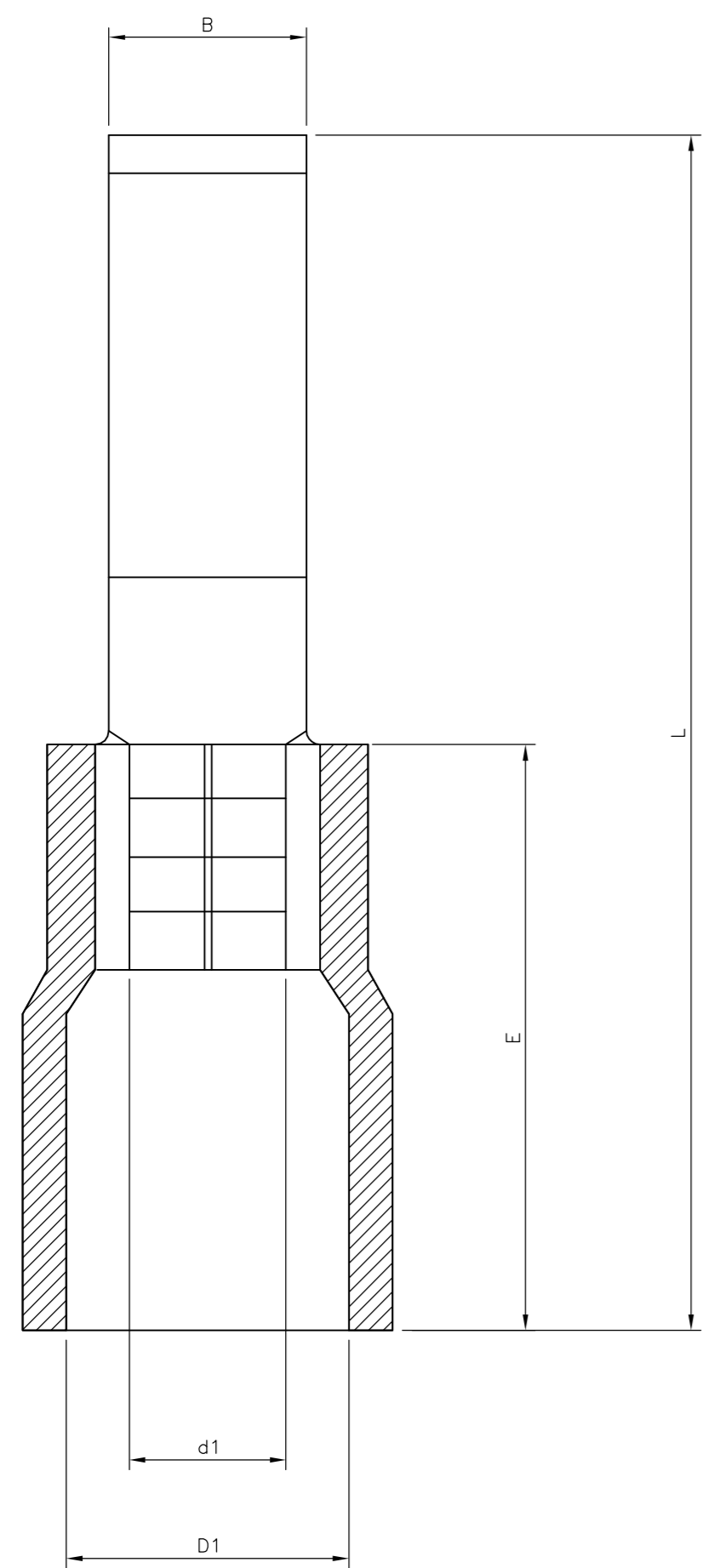


THIS DRAWING IS UNPUBLISHED. RELEASED FOR PUBLICATION 23AUG, 2005.
 © COPYRIGHT 2005 BY TYCO ELECTRONICS CORPORATION. ALL RIGHTS RESERVED.

LOC		DIST		REVISIONS			
P	LTR	DESCRIPTION		DATE	DWN	APVD	
	A	FIRST ISSUE		23AUG05	KR	FWK	



- NOTES:
- FOR TECHNICAL DATA REFER TO YOUR LOCAL TYCO ELECTRONICS SALES OFFICE.
 - ALL DIMENSIONS ARE NOMINAL FOR REFERENCE ONLY UNLESS OTHERWISE STATED.
 - FOR PACKAGING DETAILS SEE SHEET 2.
 - MATERIAL: BODY - COPPER
SLEEVE - PVC (K65), 94V-0
 - APPLICATION SPEC 114-13196

2-1838191-0	1.5mmsq - 2.5mmsq 16-14(AWG)	3x13mm STANDARD ENTRY	BLUE HOOKED BLADE TERMINAL (INSULATED)	2000	1000	2.80	2.20	2.50	4.70	28.80	11.00	0.80	1.5mmsq - 2.5mmsq 16-14(AWG)	2.80	BLUE HOOKED BLADE TERMINAL (INSULATED)	2-1838191-0
1-1838191-0				3500	100											1-1838191-0
STOCK NUMBER	PACKING LABEL DESCRIPTION LINE 3	PACKING LABEL DESCRIPTION LINE 2	PACKING LABEL DESCRIPTION LINE 1	INNER CARTON QTY	QTY	DIMENSIONS						WIRE SIZE (mmsq) & (AWG)	BLADE WIDTH (mm)	DESCRIPTION	PART No	

THIS DRAWING IS A CONTROLLED DOCUMENT.

DWN	K.Raghuandan	23AUG05
CHK	S. Parlow	03/04/07
APVD	F. Wheeler-King	03/04/07
PRODUCT SPEC	-	
APPLICATION SPEC	-	
WEIGHT	-	
CUSTOMER DRAWING	-	

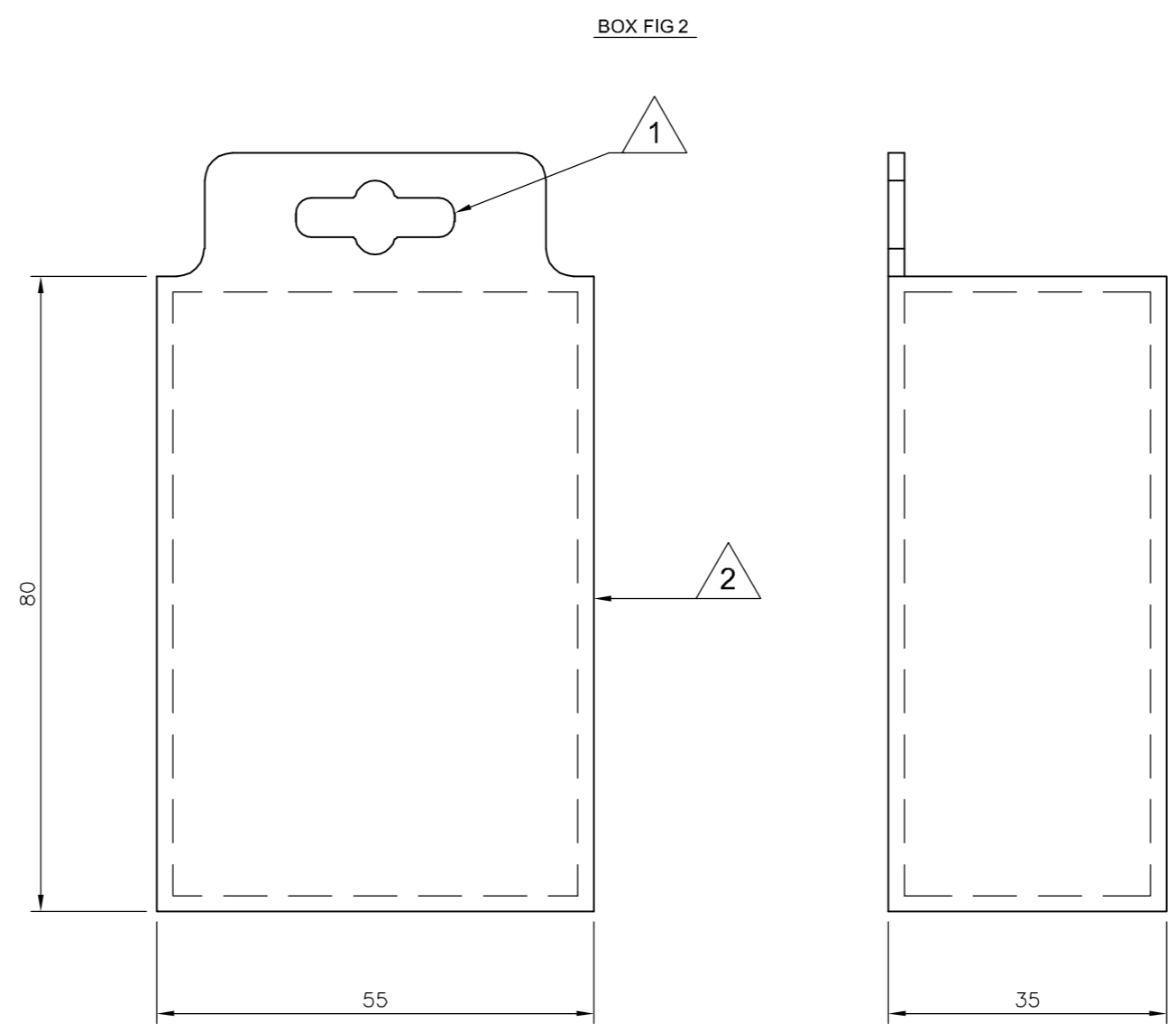
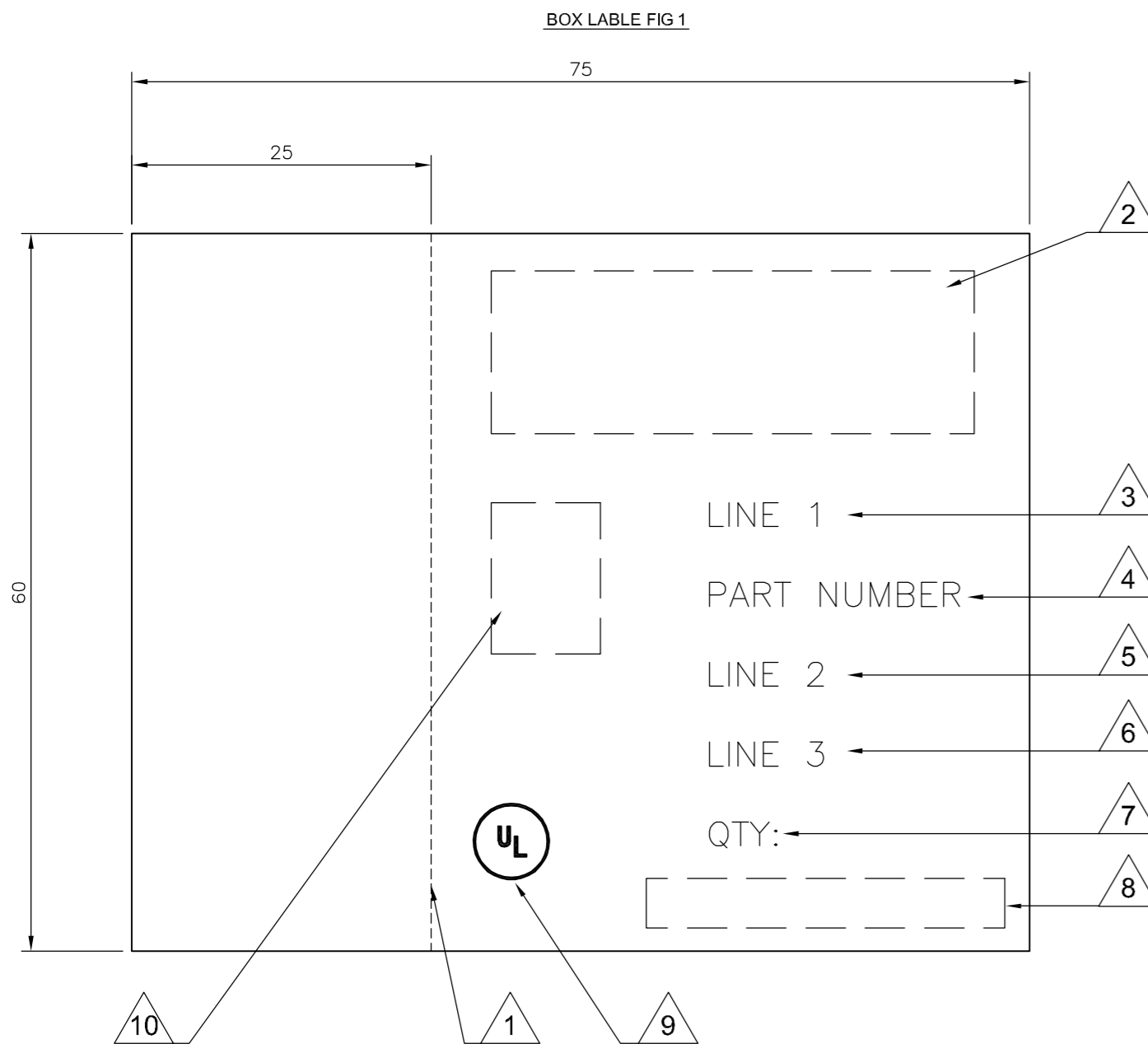
tyco Electronics Tyco Electronics Corporation
Bideford, UK, EX39 4HE

NAME: EURO CRIMP INSULATED BLUE HOOKED BLADE TERMINAL
1.5mmsq - 2.5mmsq / 16-14 AWG RANGE

SIZE	CAGE CODE	DRAWING NO	RESTRICTED TO
A2	00779	C=1838191	-
SCALE	NTS	SHEET	1 OF 2
REV	A		

THIS DRAWING IS UNPUBLISHED. RELEASED FOR PUBLICATION 23AUG ,2005.
 © COPYRIGHT 2005 BY TYCO ELECTRONICS CORPORATION. ALL RIGHTS RESERVED.

LOC		DIST		REVISIONS			
P	LTR	DESCRIPTION	DATE	DWN	APVD		
-	-	SEE SHEET 1	-	-	-		



- LABEL NOTES:**
- 1. PERFORATED LINE: DOTTED LINE TO BE ALIGNED WITH OPENING EDGE & FOLDED TO LEFT SIDE OF BOX.
 - 2. LOGO: USE LATEST REVISION OF TYCO COMPANY LOGO.
 - 3. LINE1: SEE SHEET 1, USE TEXT FROM COLUMN PACKAGING LABEL DESCRIPTION LINE 1.
 - 4. PART NUMBER: FOR 1--0 & 2--0 USE TYCO PART NUMBER.
1--0 = 1-1838191-0
2--0 = 2-1838191-0
 - 5. LINE 2: SEE SHEET 1, USE TEXT FROM COLUMN PACKAGING LABEL DESCRIPTION LINE 2.
 - 6. LINE 3: SEE SHEET 1, USE TEXT FROM COLUMN PACKAGING LABEL DESCRIPTION LINE 3.
 - 7. QTY: SEE SHEET 1, USE NUMBER FROM THE COLUMN QTY.
 - 8. EAN BARCODE: USE LATEST TYCO BARCODE SUPPLIED.
1--0 = TYCO BARCODE
2--0 = TYCO BARCODE
 - 9. UL: WHERE APPLICABLE USE UL LOGO, SEE SHEET 1.
 - 10. PRODUCT PICTURE: A PRODUCT PICTURE IS REQUIRED.

- BOX NOTES:**
- 1. EURO SLOT: TO BE POSITIONED TO CENTRE ON FRONT COVER.
 - 2. BOX HINGE: FRONT COVER TO BE HINGED ON RIGHT SIDE.
 - 3. SPECIFICATION: COVER TO BE FREE FROM POSSIBLE WARPING & CAPABLE OF BEING RE-SEALED MIN 100 TIMES.
 - 4. LABEL: CORRECT CUSTOMER BOX LABEL TO BE POSITIONED ON THE FRONT COVER WITH THE PERFORATED EDGE ON THE LEFT HAND SIDE.

- PACK SPECIFICATION:**
- 1. CLEAR PLASTIC BOX: PART NUMBER 1--0 TO BE PACKED 100 PARTS PER CLEAR PLASTIC BOX (FIG2) WITH THE CORRECT CUSTOMER LABEL (FIG1), 35 CLEAR PLASTIC BOXES OF THE SAME PART NUMBER ARE TO BE PACKED INTO A SUITABLE INNER CARTON BOX.
 - 2. CLEAR PLASTIC BAG: PART NUMBER 2--0, USE A SUITABLE CLEAR PLASTIC BAG FOR A 1000 PARTS, POSITION AN APPROPRIATE LABEL AS IN FIG1 BUT WITHOUT THE PERFORATED SIDE, CENTRE OF BAG. 2 BAGS ARE THEN TO BE PACKED INTO A SUITABLE INNER CARTON BOX.
 - 3. INNER CARTON LABEL: LABEL AS PER CLEAR PLASTIC BAG NOTE 2 BUT WITH INNER CARTON QTY 2000 TO BE POSITIONED ON THE SIDE OF THE BOX FOR VIEWING WHEN STORED.

THIS DRAWING IS A CONTROLLED DOCUMENT.		DWN K.Raghuandan 23AUG05	Tyco Electronics Corporation Bideford, UK, EX39 4HE	
DIMENSIONS: mm		CHK S. Parlow 03/04/07		
TOLERANCES UNLESS OTHERWISE SPECIFIED:		APVD F. Wheeler-King 03/04/07	NAME EURO CRIMP INSULATED BLUE HOOKED BLADE TERMINAL 1.5mmsq - 2.5mmsq / 16-14 AWG RANGE	
		PRODUCT SPEC -	SIZE A2	
MATERIAL -		FINISH -	CAGE CODE 00779	DRAWING NO C=1838191
		WEIGHT -	RESTRICTED TO -	
		CUSTOMER DRAWING		SCALE NTS
		SHEET 2 OF 2		REV A

1838191